

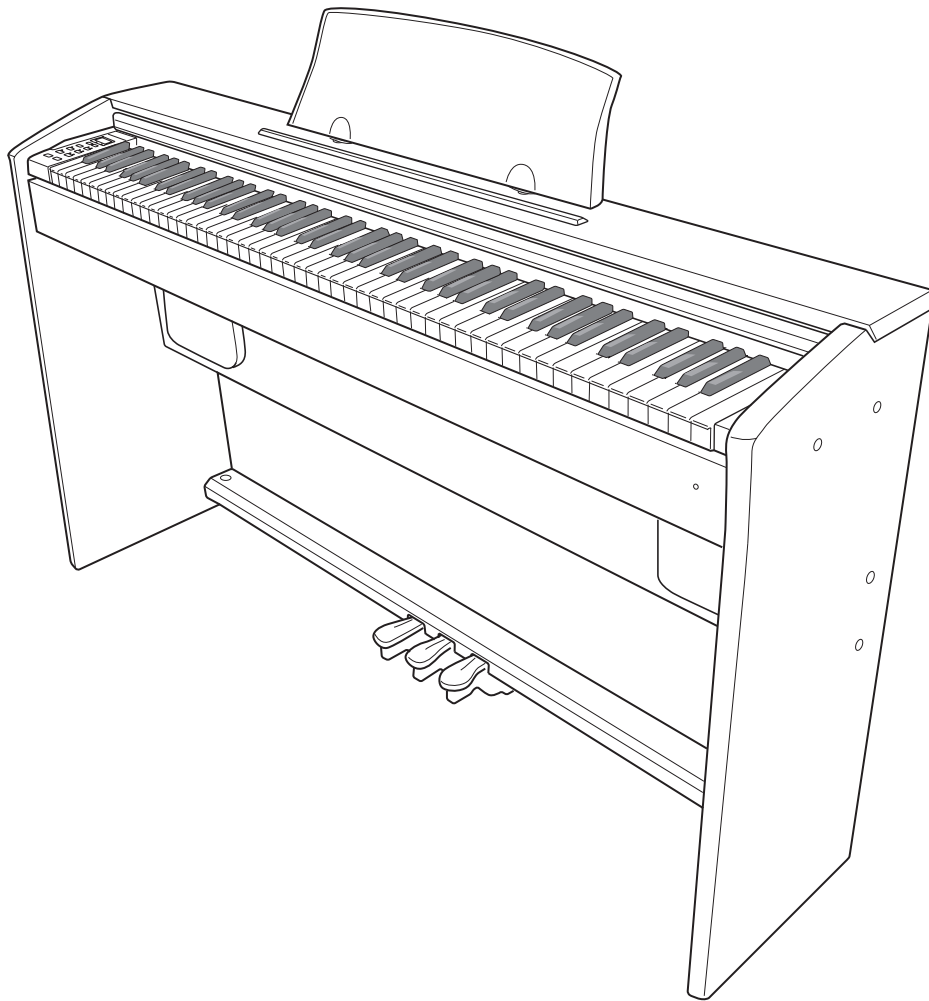
Privia

PX-800

USER'S GUIDE

GUÍA DEL USUARIO

Please keep all information for future reference.
Guarde toda información para tener como referencia futura.

**Safety Precautions**

Before trying to use the piano, be sure to read the separate "Safety Precautions".

Precauciones de seguridad

Antes de intentar usar el piano, asegúrese de leer las "Precauciones de seguridad" separadas.

IMPORTANT SAFETY INSTRUCTIONS

1. Read these instructions.
2. Keep these instructions.
3. Heed all warnings.
4. Follow all instructions.
5. Do not use this apparatus near water.
6. Clean only with dry cloth.
7. Do not block any ventilation openings. Install in accordance with the manufacturer's instructions.
8. Do not install near any heat sources such as radiators, heat registers, stoves, or other apparatus (including amplifiers) that produce heat.
9. Do not defeat the safety purpose of the polarized or grounding-type plug. A polarized plug has two blades with one wider than the other. A grounding type plug has two blades and a third grounding prong. The wide blade or the third prong are provided for your safety. If the provided plug does not fit into your outlet, consult an electrician for replacement of the obsolete outlet.
10. Protect the power cord from being walked on or pinched particularly at plugs, convenience receptacles, and the point where they exit from the apparatus.
11. Only use attachments/accessories specified by the manufacturer.
12. Use only with the cart, stand, tripod, bracket, or table specified by the manufacturer, or sold with the apparatus. When a cart is used, use caution when moving the cart/apparatus combination to avoid injury from tip-over.



13. Unplug this apparatus during lightning storms or when unused for long periods of time.
14. Refer all servicing to qualified service personnel. Servicing is required when the apparatus has been damaged in any way, such as power-supply cord or plug is damaged, liquid has been spilled or objects have fallen into the apparatus, the apparatus has been exposed to rain or moisture, does not operate normally, or has been dropped.

The apparatus shall not be exposed to dripping or splashing and that no objects filled with liquids, such as vases, shall be placed on the apparatus.

The power indicator being unlit does not mean the apparatus is completely disconnected from the MAINS. When you need to have the apparatus completely disconnected from the MAINS, you must unplug the power cord. For that purpose, locate the apparatus in a way that secures easy access to the power cord.

Declaration of Conformity

Model Number: PX-800
Trade Name: CASIO COMPUTER CO., LTD.
Responsible party: CASIO, INC.
Address: 570 MT. PLEASANT AVENUE, DOVER, NEW JERSEY 07801
Telephone number: 973-361-5400

This device complies with Part 15 of the FCC Rules, Operation is subject to the following two conditions:

(1) This device may not cause harmful interference, and (2) this device must accept any interference received, including interference that may cause undesired operation.



CAUTION

RISK OF ELECTRIC SHOCK DO NOT OPEN



CAUTION: TO REDUCE THE RISK OF ELECTRIC SHOCK, DO NOT REMOVE COVER (OR BACK). NO USER -SERVICEABLE PARTS INSIDE. REFER SERVICING TO QUALIFIED SERVICE PERSONNEL.



The lightning flash with arrowhead symbol, within an equilateral triangle, is intended to alert the user to the presence of uninsulated "dangerous voltage" within the product's enclosure that may be of sufficient magnitude to constitute a risk of electric shock to persons.



The exclamation point within an equilateral triangle is intended to alert the user to the presence of important operating and maintenance (servicing) instructions in the literature accompanying the product.

NOTICE

This equipment has been tested and found to comply with the limits for a Class B digital device, pursuant to Part 15 of the FCC Rules. These limits are designed to provide reasonable protection against harmful interference in a residential installation. This equipment generates, uses and can radiate radio frequency energy and, if not installed and used in accordance with the instructions, may cause harmful interference to radio communications. However, there is no guarantee that interference will not occur in a particular installation. If this equipment does cause harmful interference to radio or television reception, which can be determined by turning the equipment off and on, the user is encouraged to try to correct the interference by one or more of the following measures:

- Reorient or relocate the receiving antenna.
- Increase the separation between the equipment and receiver.
- Connect the equipment into an outlet on a circuit different from that to which the receiver is connected.
- Consult the dealer or an experienced radio/TV technician for help.

FCC WARNING

Changes or modifications not expressly approved by the party responsible for compliance could void the user's authority to operate the equipment.

TO REDUCE THE RISK OF FIRE OR ELECTRIC SHOCK, REFER SERVICING TO QUALIFIED SERVICE PERSONNEL.

Company and product names used in this manual may be registered trademarks of others.



This mark applies in EU countries only.



CASIO Europe GmbH
Bornbarch 10, 22848 Norderstedt, Germany

This mark applies to the PX-800V only.
Please keep all information for future reference.

Contents

Assembling the Stand..... E-35

- Unpacking..... E-35
- Assembling the Stand..... E-35
- To connect cords..... E-39
- To install the music stand..... E-40

General Guide E-2

- TEMPO/SETTING Button..... E-4
- (▼/NO) Button and + (▲/YES) Button..... E-4

Power Supply E-5

Connections E-6

- Connecting Headphones..... E-6
- Connecting Audio Equipment or an Amplifier..... E-6
- Bundled and Optional Accessories..... E-6

Playing with Different Tones E-7

- Selecting and Playing a Tone..... E-7
- To assign a tone to the VARIOUS/GM TONES keyboard key..... E-9
- To adjust the brilliance of a tone..... E-9
- Layering Two Tones..... E-10
- Splitting the Keyboard between Two Tones..... E-10
- Using Effects..... E-11
- Using the Digital Piano's Pedals..... E-13
- Using the Metronome..... E-13

Playing Back Built-in Songs E-15

- Playing Back All of the Built-in Songs..... E-15
- Playing Back a Specific Music Library Song..... E-16
- Practicing with a Music Library Song..... E-16

Recording and Play Back..... E-17

- Songs and Tracks..... E-17
- To record to a specific track of a specific song..... E-18
- To record to one track of a song while listening to the playback of the other track..... E-19
- Playing Back from Digital Piano Memory..... E-19
- Deleting Recorded Data..... E-20

Configuring Settings with the Keyboard E-21

- Keyboard Keys Used for Configuring Settings..... E-21
- To configure settings with the keyboard..... E-22
- To configure a setting using the TUNE/OTHERS key..... E-22
- To configure a setting using the MIDI/OTHERS key..... E-22
- Keyboard Setting Reference..... E-23

Connecting to a Computer..... E-26

- Connecting to the MIDI Terminal..... E-26
- Connecting to the USB Port..... E-26
- USB Mode and MIDI Mode..... E-27
- Expanding the Selections in the Music Library..... E-28
- To install the SMF conversion software (SMF Converter)..... E-28

Using an SD Memory Card..... E-29

- Inserting and Removing an SD Memory Card..... E-30
- Playing Back a File Stored on an SD Memory Card..... E-30
- Transferring Song Data from an SD Memory Card to Digital Piano Memory..... E-31
- Saving Song Data Recorded on the Digital Piano to an SD Memory Card..... E-32
- Formatting an SD Memory Card..... E-33
- SD Memory Card Errors..... E-34

Reference..... E-41

- Troubleshooting..... E-41
- Product Specifications..... E-43
- Operating Precautions..... E-44

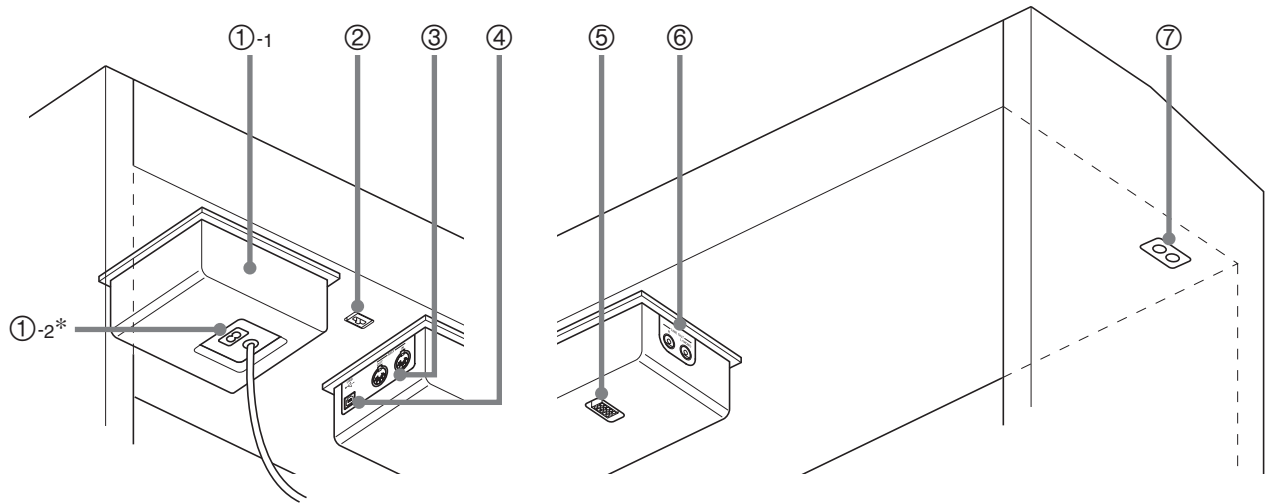
Appendix..... A-1

- Tone List..... A-1
- Drum Assignment List..... A-2
- Song List..... A-3

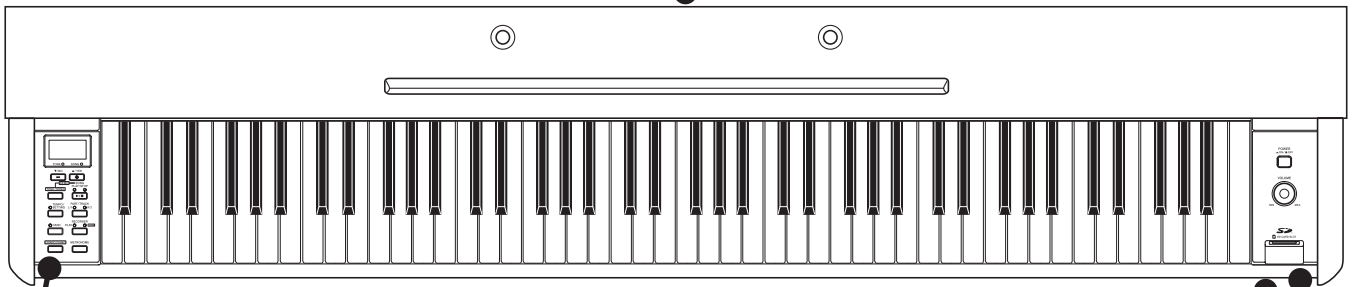
MIDI Implementation Chart

General Guide

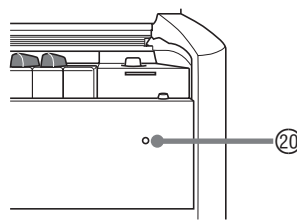
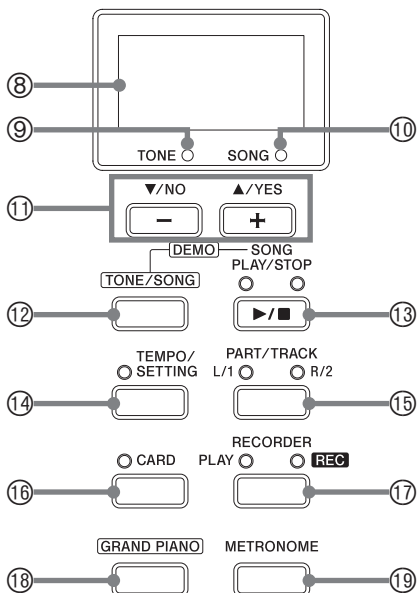
Bottom



* The power cord of the PX-800 is hard-wired to the digital piano.



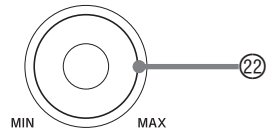
Front



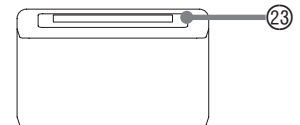
POWER
ON/OFF



VOLUME



SD
SD CARD SLOT



⚠ CAUTION

- Make sure that the cover is fully open whenever you are playing on the keyboard. A partially open cover can suddenly close unexpectedly and pinch your fingers.

📌 NOTE

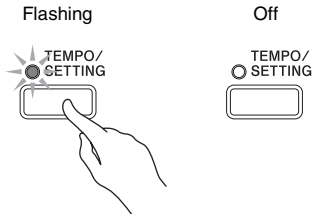
- The names shown here are always indicated in bold when they appear within the text of this manual.

- | | |
|-------------------------------------|--|
| ①-1 Power supply box | ⑬ SONG PLAY/STOP button |
| ①-2 AC power jack | ⑭ TEMPO/SETTING button |
| ② Pedal connector | ⑮ PART/TRACK button
L/1 lamp
R/2 lamp |
| ③ MIDI OUT/IN terminals | ⑯ CARD button |
| ④ USB port | ⑰ RECORDER button
PLAY lamp, REC lamp |
| ⑤ Speaker connector | ⑱ GRAND PIANO button |
| ⑥ LINE OUT R, L/MONO jacks | ⑲ METRONOME button |
| ⑦ PHONES jack | ⑳ Power lamp |
| ⑧ Display | ㉑ POWER button |
| ⑨ TONE lamp | ㉒ VOLUME controller |
| ⑩ SONG lamp | ㉓ SD CARD SLOT |
| ⑪ – (▼/NO) button, + (▲/YES) button | |
| ⑫ TONE/SONG button | |

TEMPO/SETTING Button

The **TEMPO/SETTING** button is used when configuring a variety of different digital piano settings. The following are **TEMPO/SETTING** button basics.

- The lamp above the **TEMPO/SETTING** button flashes while the button is depressed, and goes out when the button is released.



- To change a setting, hold down the **TEMPO/SETTING** button as you press the keyboard key that is assigned the setting you want to select.



Example: “Selecting a Tone Using the Keyboard Keys” on page E-8.

- See the “Keyboard Keys Used for Configuring Settings” on page E-21 for details about the various settings that can be selected using **TEMPO/SETTING** button and keyboard key combinations.

– (▼/NO) Button and + (▲/YES) Button

You can change a displayed setting by pressing the – (▼/NO) or + (▲/YES) button as you hold down the **TEMPO/SETTING** button.

- Holding down either button changes the value at high speed.

Example: “Selecting and Playing a Tone” on page E-7.

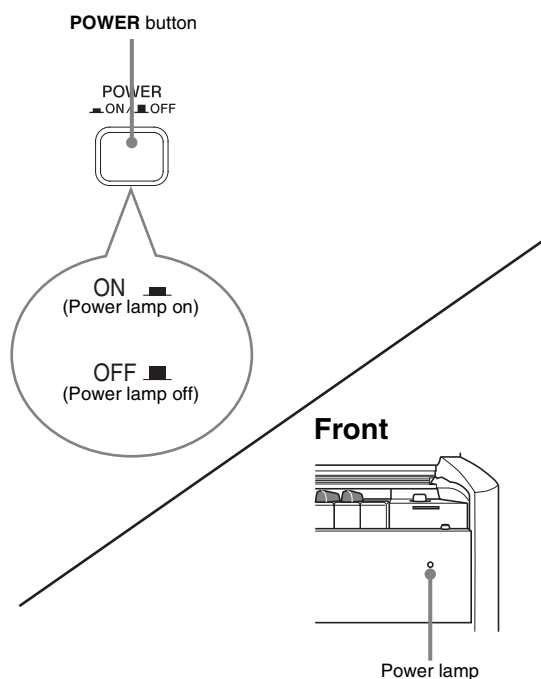
NOTE

- Pressing the – (▼/NO) and + (▲/YES) buttons at the same time will return the displayed value to its default setting.

Power Supply

Your digital piano runs on standard household power. Be sure to turn off power whenever you are not using the digital piano.

1. Make sure that the **POWER** button is in the OFF position (raised).



2. Connect the power cord that comes with the digital piano to the AC power jack on the bottom of the digital piano.*

* PX-800V only

3. Plug the power cord into a household power outlet.

IMPORTANT!

- Always make sure that the **POWER** button is the OFF position before plugging in or unplugging the power cord.
 - The shape of the power cord plug and household power outlet receptacle differ according to country and geographical area. The illustration shows just one example of the shapes that are available.
 - The power cord of the PX-800 is hard-wired to the digital piano.
- Make sure the power lamp is completely turned off before unplugging the power cord from the power outlet. Be sure to read and observe all of the safety precautions concerning power supply.

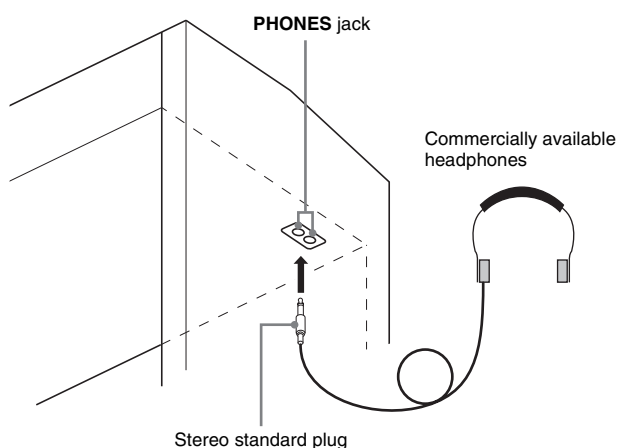
Connections

IMPORTANT!

- Whenever connecting something to the digital piano, first use the **VOLUME** controller to set the volume to a low level. After connecting, you can adjust the volume to the level you want.

Connecting Headphones

Bottom



Connect commercially available headphones to the **PHONES** jack. Connecting headphones to the **PHONES** jack cuts off output to the speakers, which means you can practice even late at night without bothering others. To protect your hearing, make sure that you do not set the volume level too high when using headphones.

NOTE

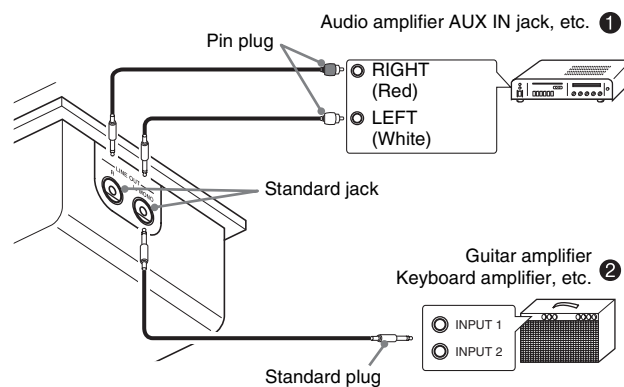
- Be sure to push the headphones plug into the **PHONES** jack as far as it will go. If you don't, you may hear sound from only one side of the headphones.

Connecting Audio Equipment or an Amplifier

You can connect audio equipment or a music amplifier to the digital piano and then play through external speakers for more powerful volume and better sound quality.

IMPORTANT!

- The digital piano automatically adjusts sound output to optimize for headphone output (when headphones are connected) or built-in speaker output (when headphones are not connected). Note that this feature also affects the sound output from the **LINE OUT R** and **L/MONO** jacks.



Connecting Audio Equipment (Figure 1)

R (Right) is the right channel and **L/MONO** (Left) is the left channel. Use commercially available connection cords to connect as shown in Figure 1. Normally, you should set the input selector of the audio equipment to the terminal where the digital piano is connected (AUX IN, etc.) Adjust volume using the digital piano's **VOLUME** controller.

Connecting a Music Amplifier (Figure 2)

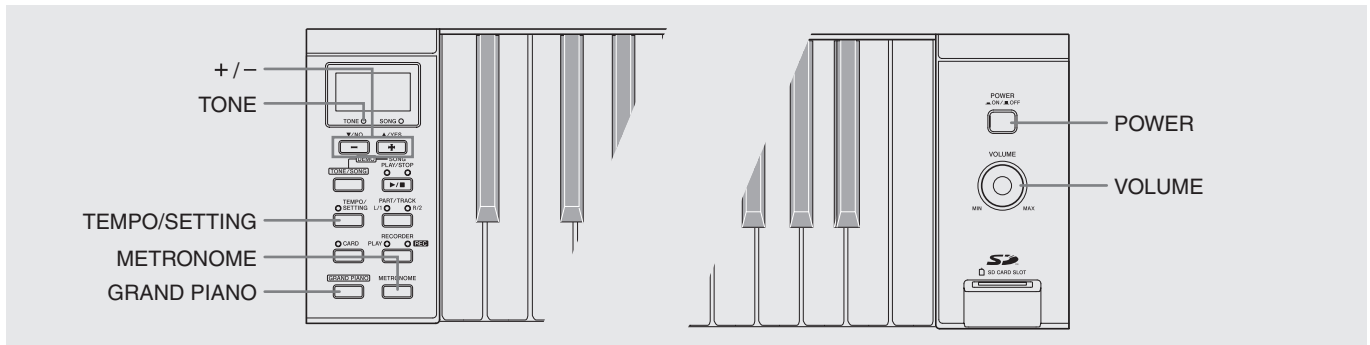
R (Right) is the right channel and **L/MONO** (Left) is the left channel. Connecting to the **L/MONO** jack only outputs a mixture of both channels. Use a commercially available connection cord to connect as shown in Figure 2. Adjust volume using the digital piano's **VOLUME** controller.

Bundled and Optional Accessories

Use only accessories that are specified for use with this digital piano.

Use of unauthorized accessories creates the risk of fire, electric shock, and personal injury.

Playing with Different Tones



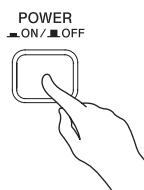
Selecting and Playing a Tone

Your digital piano has the following types of tones built in.

Tone Numbers	Tone Type	Number of Tones
01 to 12	Keyboard*	12
001 to 020	Various	20
021 to 148	GM (General MIDI)	128
149, 150	Drum Sets	2 sets

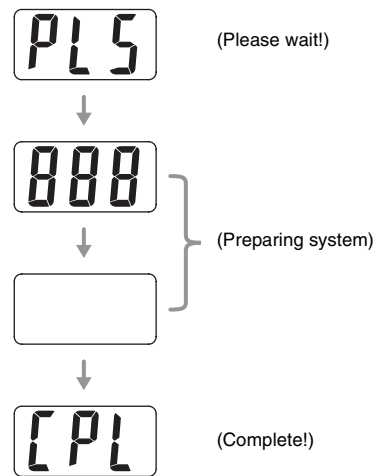
* You can select these tones using keyboard keys. The name of the tones assigned to each keyboard key is marked above the keys. For details about selecting these tones, see “Selecting a Tone Using the Keyboard Keys” on page E-8.

1. Press the **POWER** button to turn on the digital piano.



IMPORTANT!

- When you turn on the digital piano, it performs a power up operation in order to prepare its system. The power up operation takes about 10 seconds, and is indicated by the following messages appearing on the display.



2. Select the tone you want.

- To select the GRAND PIANO tone, simply press the **GRAND PIANO** button.
 - To select another tone, find its tone name in the “Tone List” on page A-1 and note its tone number.
- Example:* To select Tone Number 07, Harpsichord
 - Use the + and – buttons to change the displayed tone number until it matches the one you want (07 in this example).



NOTE

- There are two sets of tone numbers, one set from 01 to 12 and another set from 001 to 150. Pressing the + button while 12 is displayed will change the tone number to 001. Similarly, pressing the – button while 001 is displayed will change the tone number to 12.
- Holding down either button changes the displayed value at high speed.

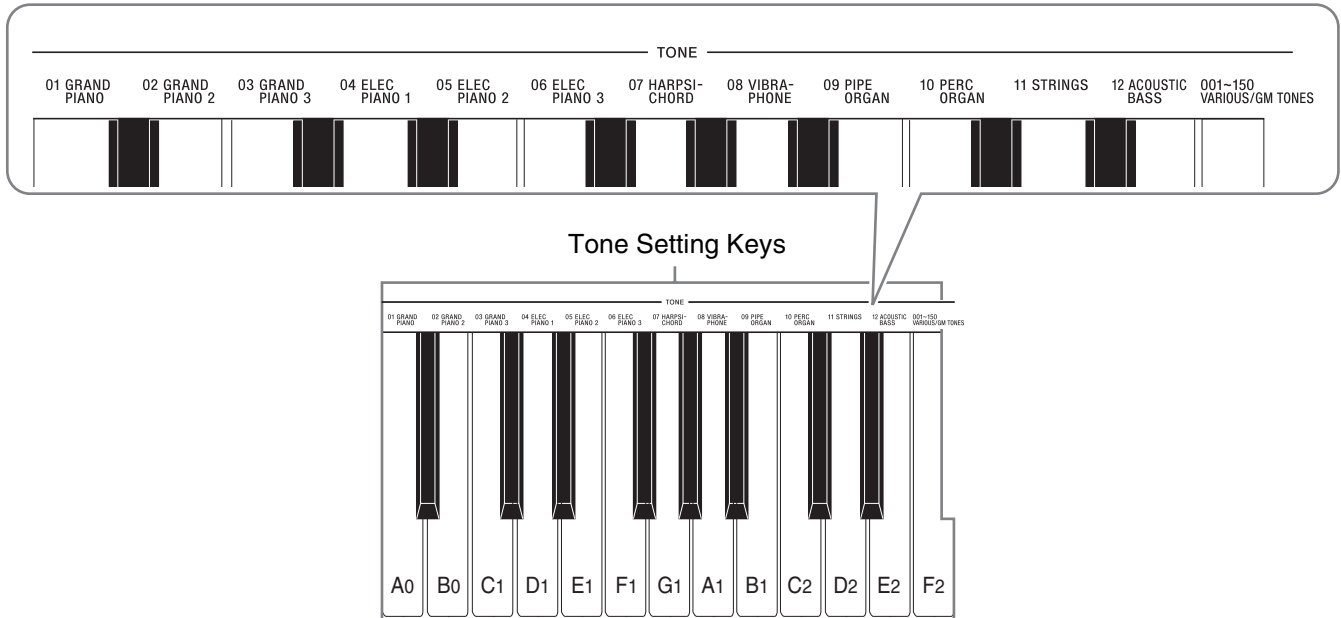
3. Use the **VOLUME** controller to adjust the volume level.

4. Try playing something on the digital piano.

NOTE

- The DSP* effect will be applied if you select a tone with DSP.
- Note that the digital piano's DSP resources are limited. Because of this, selecting a tone with DSP can cause notes that are currently being played to cut off (if they are being played using a tone with DSP), or it can remove the DSP effect from an operation (layer, split, demo tune) that was previously assigned a tone with DSP.
(* See page E-12)

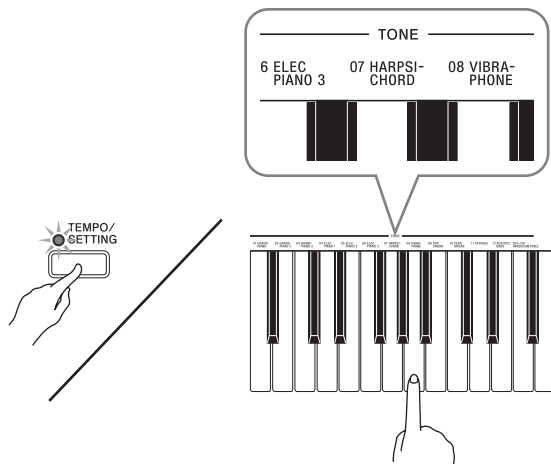
Selecting a Tone Using the Keyboard Keys



A0 : 01 Grand Piano	A1 : 08 Vibraphone
B0 : 02 Grand Piano 2	B1 : 09 Pipe Organ
C1 : 03 Grand Piano 3	C2 : 10 Percussive Organ
D1 : 04 Electric Piano 1	D2 : 11 Strings
E1 : 05 Electric Piano 2	E2 : 12 Acoustic Bass
F1 : 06 Electric Piano 3	F2 : 001 to 150 Various/GM Tones
G1 : 07 Harpsichord	

1. While holding down the **TEMPO/SETTING** button, press the keyboard key that corresponds to the tone you want to select.

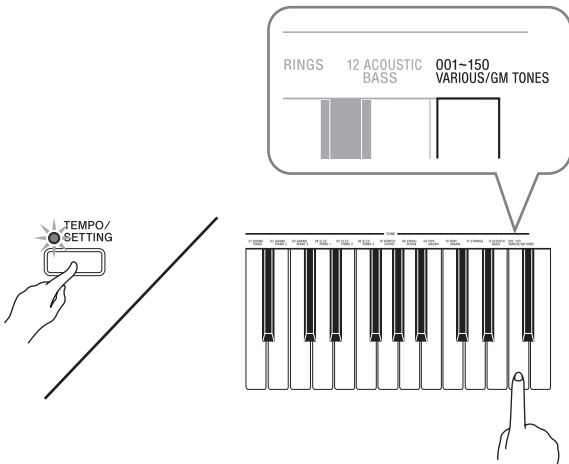
- This will cause the lamp above the button to flash and the tone number of the selected tone to appear on the display.



* A note does not sound when you press the keyboard key to select a tone.

To assign a tone to the VARIOUS/GM TONES keyboard key

1. While holding down the **TEMPO/SETTING** button, press the **VARIOUS/GM TONES** keyboard key. Keep the **TEMPO/SETTING** button depressed until you finish step 2 of this procedure.



- This will cause the **TEMPO/SETTING** button to flash and the tone number of the Various, GM, or Drum Sets Tone currently assigned to the keyboard key to appear on the display.

2. Use the **+** and **-** buttons to display the tone number of the Various, GM, or Drum Sets Tone you want to assign to the **VARIOUS/GM TONES** key.

Example: 019 FANTASY

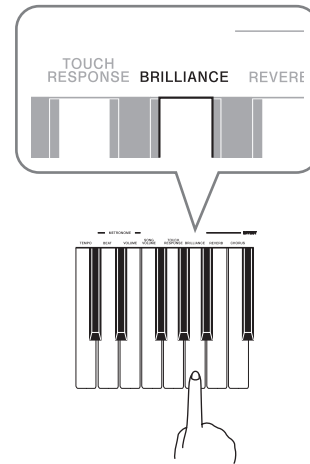


NOTE

- If a drum set is assigned to the **VARIOUS/GM TONES** key, keyboard keys sound drum sounds. See page A-2 for information about the drum sounds that are assigned to each of the keyboard keys.

To adjust the brilliance of a tone

1. While holding down the **TEMPO/SETTING** button, press the **BRILLIANCE** keyboard key. Keep the **TEMPO/SETTING** button depressed until you finish step 2 of this procedure.



- This will cause the lamp above the **TEMPO/SETTING** button to flash and the currently selected brilliance value to appear on the display.

2. Use the **+** and **-** buttons to change the displayed value.



For this type of sound:	Select a value in this range:
Soft and smooth	-3 to -1
Bright and sharp	1 to 3

NOTE

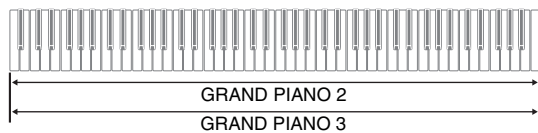
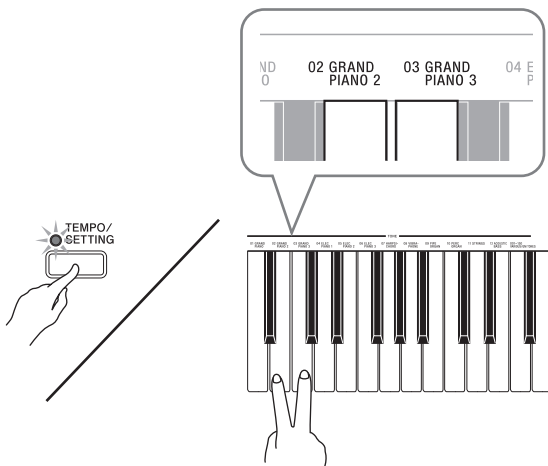
- Pressing the **+** and **-** buttons at the same time while holding down the **TEMPO/SETTING** button (step 2) will return the brilliance setting to its default value.

Layering Two Tones

Use the following procedure to layer two tones, so they sound at the same time.

1. Hold down the **TEMPO/SETTING** button until you finish step 2 of this procedure.
2. While holding down the keyboard key that corresponds to the main tone, press any nearby keyboard key that corresponds to another tone.
 - The second key you press is the layered tone. We will be changing it in step 3, below.

Example: While holding down the GRAND PIANO 2 key, press the GRAND PIANO 3 key.



- The tone numbers of the layered tone will appear on the display.



3. Use the **+** and **-** buttons to change the displayed tone number to the one you want to select.

Example: 11 STRINGS
4. Try playing something on the keyboard.

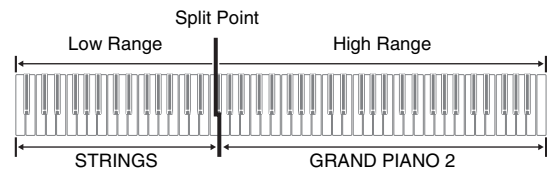
5. To unlayer the keyboard, select another tone by pressing the **GRAND PIANO** button or by using the procedure under “Selecting a Tone Using the Keyboard Keys” (page E-8).

NOTE

- You can adjust the balance between the main tone and layered tone. See “Configuring Settings with the Keyboard” on page E-21 for more information.

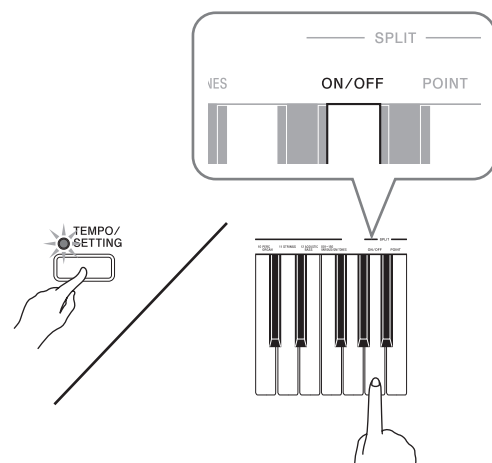
Splitting the Keyboard between Two Tones

You can assign different tones to keys on the left side and the right side of the keyboard.



1. Use the procedure under “Selecting and Playing a Tone” on page E-7 to select the high range tone.

Example: GRAND PIANO 2
2. While holding down the **TEMPO/SETTING** button, press the **SPLIT ON/OFF** keyboard key. Keep the **TEMPO/SETTING** button depressed until you finish step 3 of this procedure.



- Use the + and – buttons to turn keyboard split on or off.

When the display shows this:	It means this:
oFF	Keyboard split off
on	Keyboard split on

- Releasing the **TEMPO/SETTING** button will cause the display to change to the number of the currently selected low-range tone.



- Use the procedure under “Selecting and Playing a Tone” on page E-7 to select the low range tone.

Example: 11 STRINGS

NOTE

- You can also specify the location of the keyboard split point. See “Configuring Settings with the Keyboard” on page E-21 for more information.
- You can configure the keyboard so it is layered with two tones in the high range. To do this, first perform the layer operation (page E-10). After that, split the keyboard as described above.

Using Effects

Reverb . . . Makes your notes resonate.

Chorus . . . Adds more breadth to your notes.

Acoustic Resonance . . .

When the damper pedal is pressed, reproduces the harmonic resonance within a grand piano.

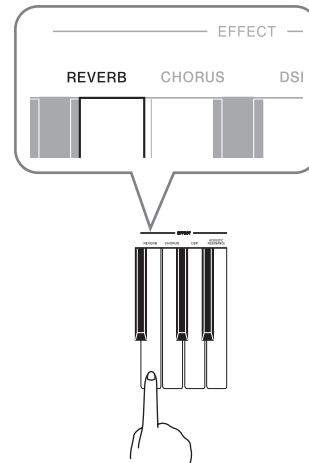
DSP Digitally processes tones to for more sophisticated effects. Each tone is preset with a default DSP effect (drawbar organ tone + rotary speaker, for example).

To configure reverb and chorus effect settings

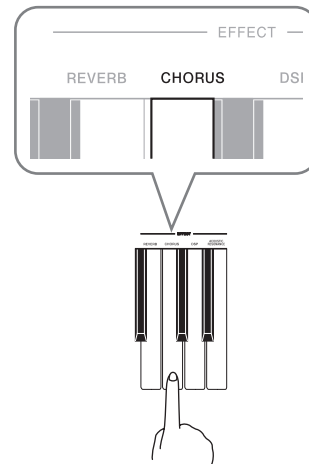
- While holding down the **TEMPO/SETTING** button, press the REVERB or CHORUS keyboard key. Keep the **TEMPO/SETTING** button depressed until you finish step 2 of this procedure.

- This will cause the lamp above the **TEMPO/SETTING** button to flash and the currently selected reverb or chorus value to appear on the display.

Reverb



Chorus



2. Use the + and – buttons to change the displayed value.

• Reverb Value

To do this:	Select this setting:
Turn off reverb	oFF
Turn on reverb	1: Room 2: Small Hall 3: Large Hall 4: Stadium

• Chorus Value

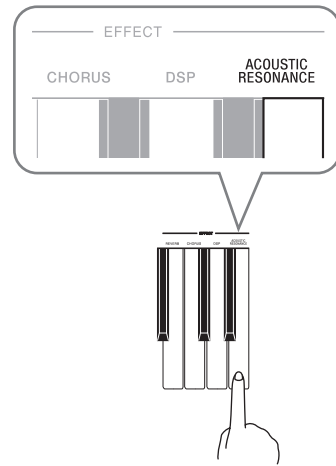
To do this:	Select this setting:
Turn off chorus	oFF
Turn on chorus	1: Light Chorus 2: Medium Chorus 3: Deep Chorus 4: Flanger (Whooshing effect)

To turn acoustic resonance and DSP on or off

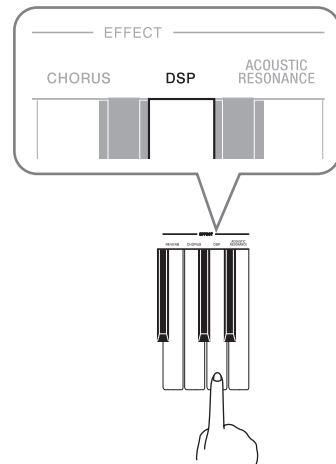
1. While holding down the **TEMPO/SETTING** button, press the **ACOUSTIC RESONANCE** or **DSP** keyboard key. Keep the **TEMPO/SETTING** button depressed until you finish step 2 of this procedure.

- This will cause the lamp above the **TEMPO/SETTING** button to flash and the currently selected acoustic resonance or DSP setting to appear on the display.

Acoustic Resonance



DSP



2. Use the + and – buttons to change the displayed setting.

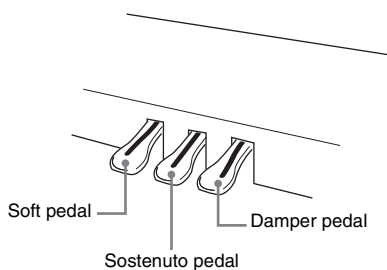
When the display shows this:	It means this:
oFF	Effect off
on	Effect on

 **NOTE**

- While the keyboard is layered, the DSP on/off setting affects the layered tone only. While the keyboard is split, the DSP on/off setting affects the low range tone only.
- Turning on DSP will apply the DSP effect to tones with DSP only. It will not be applied to any other type of tone.

Using the Digital Piano's Pedals

Your digital piano comes equipped with three pedals: damper, soft, and sostenuto



Pedal Functions

● Damper Pedal

Pressing the damper pedal while playing will cause the notes you play to reverberate for a very long time.

- When GRAND PIANO, GRAND PIANO 2, or GRAND PIANO 3 is selected as the tone, pressing this pedal will cause notes to reverberate just like the damper pedal on an acoustic grand piano. Half-pedal operation (pressing the pedal part way) is also supported.

● Soft Pedal

Pressing this pedal while playing suppresses notes played on the keyboard after the pedal was pressed, and makes them sound softer.

● Sostenuto Pedal

Only the notes of the keys that are depressed when this pedal is pressed are sustained until the pedal is released.

Using the Metronome

1. Press the **METRONOME** button.
 - This starts the metronome.
 - The two lamps above the **SONG PLAY/STOP** button flash in time with the metronome beat.
2. To change the beat, hold down the **METRONOME** button as you use the + and – buttons to make adjustments.



- You can select a beat value in the range of 2 through 6. Specifying 0 as the setting plays a straight click, without any chime. This setting lets you practice with a steady beat.

3. While holding down the **TEMPO/SETTING** button, use the + and – buttons to adjust the tempo in a range of 20 to 255 beats per minute.



4. Press the **METRONOME** button again to stop the metronome.

 **NOTE**

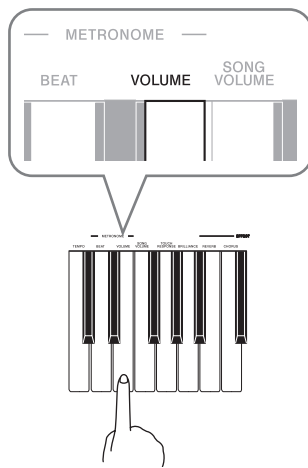
- You can also set the beat setting (step 2) using the procedure described under “Configuring Settings with the Keyboard” on page E-21.

To adjust the metronome volume

NOTE

- You can perform the following procedure at any time, regardless of whether or not the metronome is sounding.

- While holding down the **TEMPO/SETTING** button, press the **METRONOME VOLUME** keyboard key. Keep the **TEMPO/SETTING** button depressed until you finish step 2 of this procedure.
 - This will cause the lamp above the **TEMPO/SETTING** button to flash and the current metronome volume setting to appear on the display.



- Use the **+** and **-** buttons to change the metronome volume setting in the range of 0 to 42.



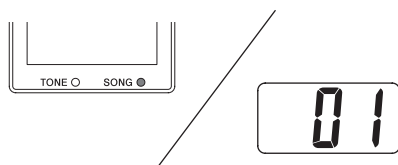
Playing Back a Specific Music Library Song

The Music Library includes both preset songs (01 to 60), plus up to 10 songs (61 to 70) that have been saved to digital piano memory from a computer* or loaded SD memory card (page E-29). You can use the procedure below to select one of these songs and play it back.

* You can download music data from the Internet and then transfer it from your computer to digital piano memory. See "Expanding the Selections in the Music Library" on page E-28 for more information.

1. Press the **TONE/SONG** button so the **SONG** lamp is lit.

- Each press of the **TONE/SONG** button toggles between the **TONE** and **SONG** indicator lamps.
- This will cause the currently selected song number to appear on the display.



2. Find the song number of the song you want to play in the song list on page A-3.

3. Use the + and – buttons to display the song number of the song you want to play.



4. Press the **SONG PLAY/STOP** button.

- This starts the playback of the song.

5. To stop playback, press the **SONG PLAY/STOP** button again.

- Playback will stop automatically when the end of the song is reached.

NOTE

- Pressing the + and – buttons at the same time will select song number 01.
- You can change tempo, volume, and pre-count settings for playback. See "Configuring Settings with the Keyboard" on page E-21 for more information.

Practicing with a Music Library Song

You can turn off the left hand part or right hand part of a Music Library song and play along on the piano.

NOTE

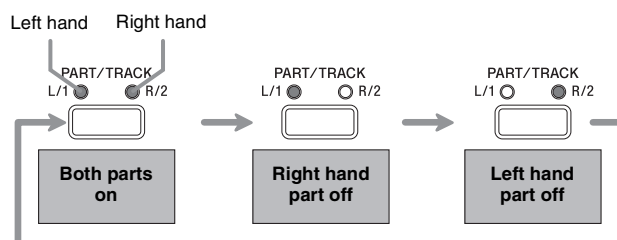
- The Music Library includes a number of duets. While a duet is selected, you can turn off the first piano <Primo> or second piano <Secondo> tone and play along with the song.

PREPARATION

- Select the song you want to practice and adjust the tempo. See "Configuring Settings with the Keyboard" on page E-21.
- A number of tunes have tempo changes part way through in order to produce specific musical effects.

1. Use the **PART/TRACK** button to turn off a part.

- Each press of the **PART/TRACK** button cycles through the part settings as shown below. The indicator lamps above the button show which part is turned off.



2. Press the **SONG PLAY/STOP** button.

- This starts playback, without the part you turned off in step 1.

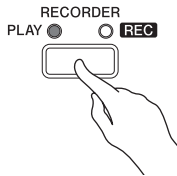
3. Play the missing part on the keyboard.

4. To stop playback, press the **SONG PLAY/STOP** button again.

To record to a specific track of a specific song

After recording to either of the tracks of a song, you can record to the other track while listening to playback what you recorded in the first track.

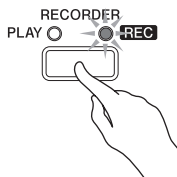
1. Press the **RECORDER** button so the **PLAY** lamp is lit.



2. Use the **+** and **-** buttons to display a song number (1 to 5).



3. Press the **RECORDER** button so the **REC** lamp is flashed.



- At this time the **L/1** lamp will flash to indicate that the digital piano is standing by for recording to Track 1.



4. Use the **PART/TRACK** button to select the track to which you want to record.

- Make sure that the indicator lamp for the record track is flashing.

Track 1: **L/1** lamp

Track 2: **R/2** lamp

Example: Track 1 Selected



5. Select the tone and effects you want to use in your recording, and set the tempo you want.
 - Tone (page E-7)
 - * After selecting the tone you want, press the **TONE/SONG** button one more time so the **SONG** lamp is lit.
 - Effect (page E-11)
 - Tempo (page E-24)



NOTE

- It is a good idea to use a relatively slow tempo when recording.
- If you want the metronome to sound during recording, press the **METRONOME** button.

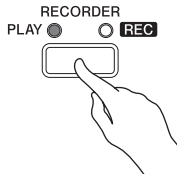
6. Start playing something on the keyboard.
 - Recording will start automatically.
7. To stop recording, press the **SONG PLAY/STOP** button again.

- This will cause the **REC** lamp to go out, and the lamp above the button of the track to which you recorded will light.
- To play back the track you just recorded, press the **SONG PLAY/STOP** button.

8. After you are finished recording or playing back, press the **RECORDER** button so the **PLAY** lamp and **REC** lamp are off.

To record to one track of a song while listening to the playback of the other track

1. Press the **RECORDER** button so the **PLAY** lamp is lit.



2. Use the **+** and **-** buttons to display a song number (1 to 5).



This indicator appears when the track already contains recorded data.

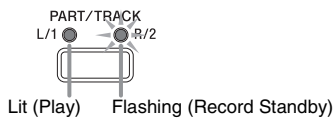
3. Press the **RECORDER** button so the **REC** lamp is flashed.

- This will cause the **L/1** lamp to flash.

4. Use the **PART/TRACK** button to select the track to which you want to record.

- Make sure that the indicator lamp for the record track is flashing.

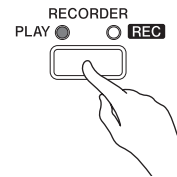
Example: To listen to playback of Track 1 as you record to Track 2



5. Select the tone and effects you want to use for your recording.
6. Press the **SONG PLAY/STOP** button or play something on the keyboard.
 - This will start both playback of the recorded track and recording to the other track.
7. To stop recording, press the **SONG PLAY/STOP** button.

Playing Back from Digital Piano Memory

1. Press the **RECORDER** button so the **PLAY** lamp is lit.



2. Use the **+** and **-** buttons to display a song number (1 to 5).



NOTE

- When a song has something recorded in both tracks, you can turn off one track and play back just the other track, if you want. Whether a track is on or off is indicated by the lamps above the **PART/TRACK** button. Each press of the **PART/TRACK** button cycles through the different possible track on/off settings.

3. Press the **SONG PLAY/STOP** button.

This starts playback of the song and/or track you selected.

NOTE

- You can change the tempo setting as a track is playing.
- You cannot change the tone setting during playback.
- Press the **SONG PLAY/STOP** button again to stop playback.

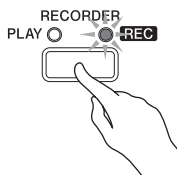
Deleting Recorded Data

The following procedure deletes a specific track of a song.

IMPORTANT!

- The procedure below deletes all of the data of the selected track. Note that the delete operation cannot be undone. Check to make sure you really do not need the data in digital piano memory before you perform the following steps.

1. Press the **RECORDER** button so the **PLAY** lamp is lit.
2. Use the + and – buttons to display the number of the song (1 to 5) that contains the track you want to track.
3. Press the **RECORDER** button so the **REC** lamp is flashed.

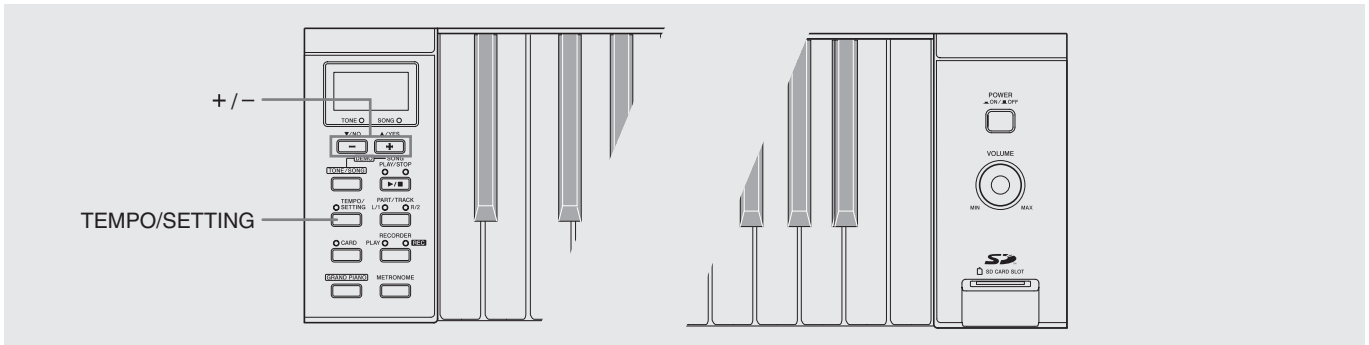


4. Use the **PART/TRACK** button to select the track you want to delete.
 - This causes the lamp of the selected track to flash.
5. Hold down the **RECORDER** button until “dEL” (dELete) appears on the display.



6. Press the **▲/YES** button.
 - This deletes the selected track and enters record standby.
 - To cancel the delete operation, press the **▼/NO** button in place of the **▲/YES** button.

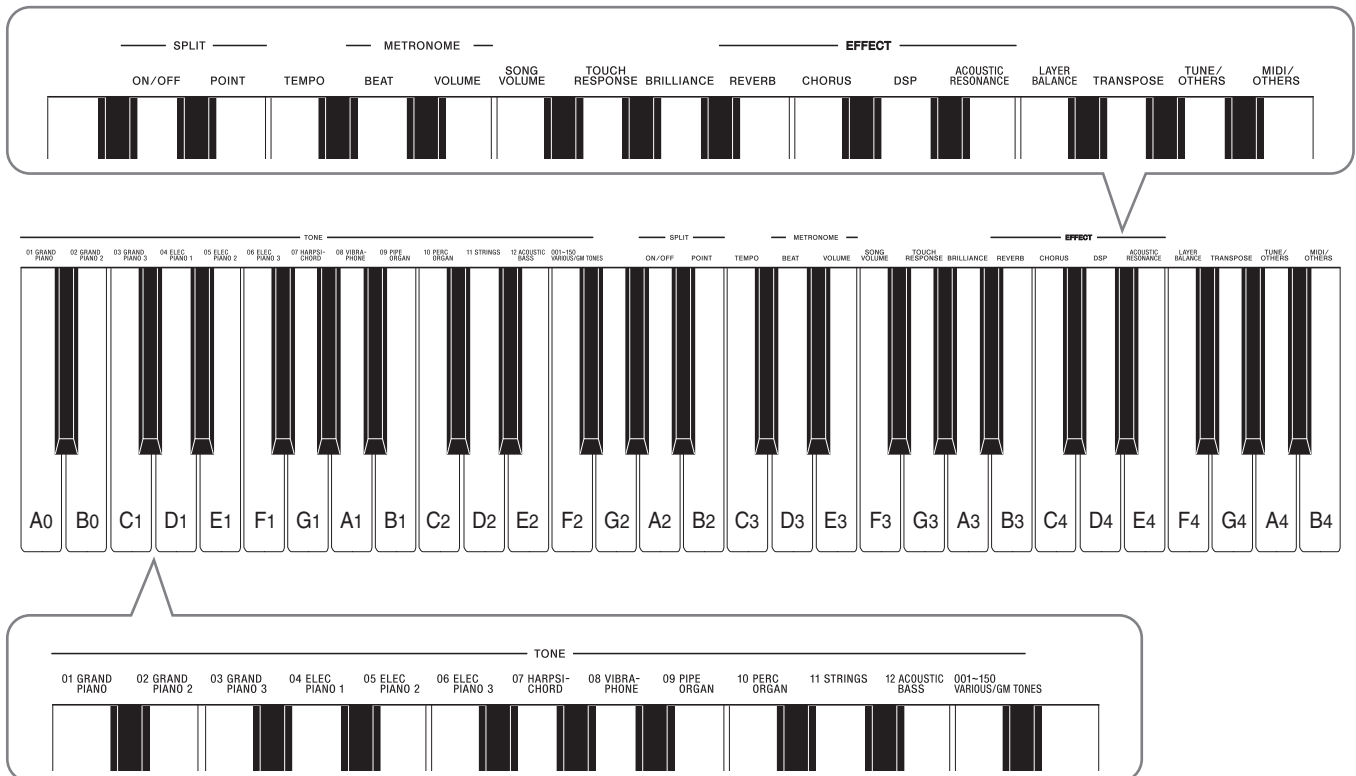
Configuring Settings with the Keyboard



You can use the **TEMPO/SETTING** button in combination with the keyboard keys to configure a wide range of digital piano settings, including the key, keyboard touch, MIDI settings, etc.

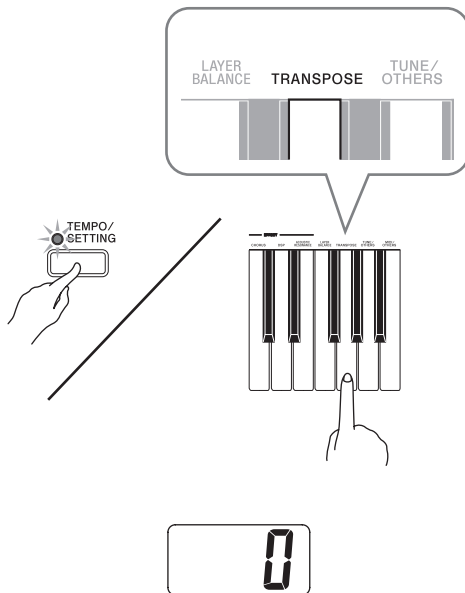
- The same basic procedure (explained under “To configure settings with the keyboard” on page E-22) can be used for all settings. The only difference is the keyboard key that you press.
- See the “Keyboard Setting Reference” on page E-23 for information about the settings you can configure using this procedure.

Keyboard Keys Used for Configuring Settings



To configure settings with the keyboard

1. Use the “Keyboard Setting Reference” on page E-23 to find the setting you want to configure, and note its keyboard key.
Example: To change the key, you would need to use the keyboard key labeled TRANSPOSE
2. While holding down the **TEMPO/SETTING** button, press the keyboard key for the setting you want to configure. In this example, we will press the TRANSPOSE key. Keep the **TEMPO/SETTING** button depressed until you finish step 3 of this procedure.
 - The **TEMPO/SETTING** button lamp will flash and the current setting of the item you are configuring will appear on the display.



3. Use the + and – buttons to change the setting.
Example: Lower the TRANSPOSE by one semitone by changing the displayed value to –1.



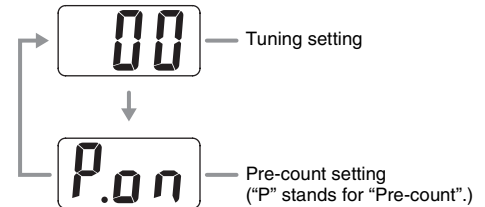
4. Release the **TEMPO/SETTING** button to complete the setting procedure.
 - This causes the indicator lamp above the button to turn off.

NOTE

- Pressing the + and – buttons at the same time will change the displayed setting to its default value.

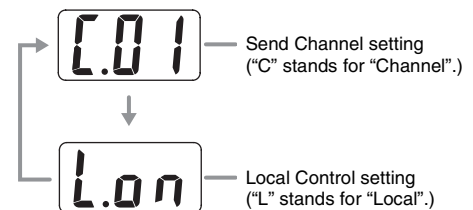
To configure a setting using the TUNE/OTHERS key

Pressing the **TUNE/OTHERS** key in step 2 of the above procedure will toggle between the two settings described below.




To configure a setting using the MIDI/OTHERS key

Pressing the **MIDI/OTHERS** key in step 2 of the above procedure will cycle between the two settings described below.



Keyboard Setting Reference

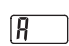
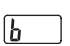







■ Keyboard

To change this setting:	Use this keyboard key:	Settings	Description
Keyboard touch response	TOUCH RESPONSE	OFF : Off 1 : Strong sound is produced even when relatively light pressure is applied. 2 : Normal 3 : Normal sound is produced even when relatively strong pressure is applied.	Specifies the relative touch of the keyboard keys.
Key of the keyboard	TRANSCOPE	-6 to 0 to 5	Raises or lowers the tuning of the digital piano in semitone steps.  NOTE • Using TRANSCOPE to raise the key of the digital piano can cause notes at the highest range of a tone to become distorted.
Keyboard tuning	TUNE/OTHERS	-50 to 0 to 50	Raises or lowers the overall pitch of the digital piano to match another instrument. The setting range is plus or minus 50 cents (100 cents = 1 semitone) from the standard pitch of A4 = 440.0Hz. When configuring this setting, use the procedure under "To configure a setting using the TUNE/OTHERS key" on page E-22.


■ Tones

To change this setting:	Use this keyboard key:	Settings	Description
Tone selection	TONE	See "Tone List" on page A-1.	See page E-8.
Layered tone volume balance	LAYER BALANCE	-24 to 0 to 24	Specifies the volume balance between layered tones. A lower value reduces the volume level of the layered tone.
Split on/off	SPLIT ON/OFF	on: On, oFF: Off	See page E-10.
Split point	SPLIT POINT	A0 to C8*	Specifies the location of the keyboard split point. The selected keyboard key is the lowest note of the high range (right) keyboard.
Brilliance	BRILLIANCE	-3 to 0 to 3	See page E-9.
Reverb	REVERB	oFF (Off), 1 to 4	See page E-11.
Chorus	CHORUS	oFF (Off), 1 to 4	See page E-11.
DSP	EFFECT	on: On, oFF: Off	See page E-12.
Acoustic Resonance	EFFECT	on: On, oFF: Off	See page E-12.

*Display Indicator

Display									
Settings	A	B	C	D	E	F	G	F#3	Bb5

■ Song/Metronome

To change this setting:	Use this keyboard key:	Settings	Description
Tempo	TEMPO	20 to 255	Specifies the tempo of Music Library songs, the metronome, recording and playback, etc.
Metronome beat	METRONOME BEAT	0, 2 to 6	Turns the metronome on or off.
Metronome volume	METRONOME VOLUME	0 to 42	Specifies the metronome volume.
Song volume	SONG VOLUME	0 to 42	Specifies the volume of built-in song playback, independent of overall volume control using the VOLUME controller.
Pre-count	TUNE/OTHERS	P.on: On P.oF: Off	<p>Turns the pre-count before playback of a Music Library song on or off. When configuring this setting, use the procedure under "To configure a setting using the TUNE/OTHERS key" on page E-22.</p> <p> NOTE</p> <ul style="list-style-type: none"> When playing a song from the user area or from an SD memory card, the pre-count may not sound, even though the pre-count setting is turned on.

■ MIDI

To change this setting:	Use this keyboard key:	Settings	Description
Send Channel	MIDI/OTHERS	C.01 to C.16	Specifies one of the MIDI channels (1 through 16) as the Send Channel, which is used for sending MIDI messages to an external device. When configuring this setting, use the procedure under "To configure a setting using the MIDI/OTHERS key" on page E-22.
Local Control	MIDI/OTHERS	L.on: On L.oF: Off	When Local Control is turned on, pressing the keyboard's keys plays the notes using the currently selected built-in tone, and also sends the applicable MIDI messages out the MIDI OUT port. Turning off Local Control cuts off the digital piano's sound source, so no sound is produced by the digital piano when keys are pressed. This capability comes in handy when you want to turn off the digital piano's keyboard and play on an external sequencer or other device. When configuring this setting, use the procedure under "To configure a setting using the MIDI/OTHERS key" on page E-22.

Connecting to a Computer

Connecting to the MIDI Terminal

What is MIDI?

MIDI is a standard for digital signals and connectors that allows musical instruments, computers, and other devices, regardless of manufacturer, to exchange data with each other.

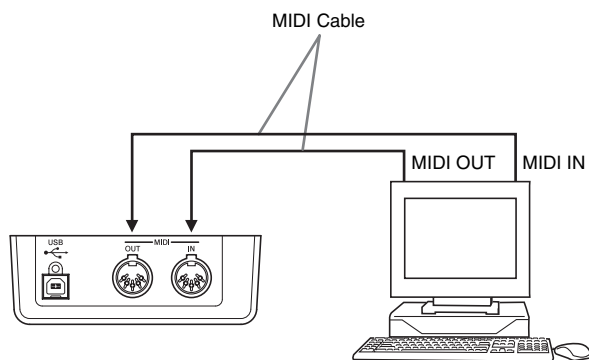


- For details about MIDI implementation, visit: <http://world.casio.com/>

MIDI Connections

Connecting your computer or other external MIDI device to the digital piano's **MIDI OUT/IN** terminals makes it possible for them to exchange MIDI messages and record and playback keyboard notes on the connected device.

Bottom



MIDI Settings

You can use the procedure in "Configuring Settings with the Keyboard" (page E-21) to configure MIDI settings. See page E-25 for a description of the settings and information about how to configure them.

Connecting to the USB Port

The digital piano's **USB** port makes it quick and simple to connect to a computer. You can install a USB MIDI driver from the CD-ROM that comes bundled with the digital piano onto a computer equipped with a USB port. After that, you can connect the digital piano to your computer and run commercially available MIDI software on your computer to exchange MIDI data with the digital piano. You can also transfer data you downloaded from the CASIO MUSIC SITE to the digital piano.

Note that you need to purchase a commercially available USB cable to connect the digital piano's **USB** port to a computer's USB port.

To connect to a computer using the USB port

1. On the computer to which you plan to connect, install the USB MIDI driver from the CD-ROM that comes bundled with the digital piano.

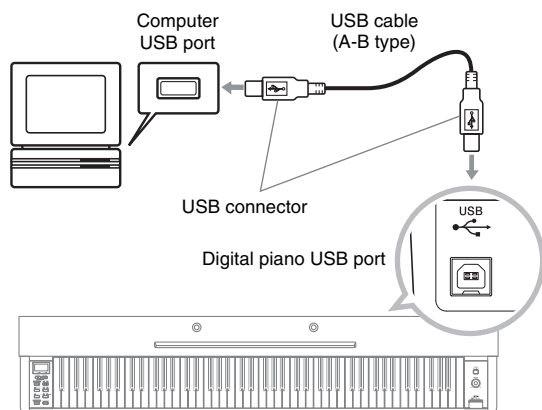


- Before installing the USB MIDI driver, be sure to read the contents of the "readme.txt" file in the "English" folder on the bundled CD-ROM.
- For details about how to install the USB MIDI driver, see the "CASIO USB MIDI Driver User's Guide" (manual_e.pdf)*1 that is also on the bundled CD-ROM.

2. Use a commercially available USB cable (A-B type) to connect the digital piano to the computer.

IMPORTANT!

- Make sure that the digital piano is turned off before connecting or disconnecting the USB cable to it.



- *1 You need to have Adobe Reader or Acrobat Reader installed on your computer in order to view the contents of the “CASIO USB MIDI Driver User’s Guide” (manual_e.pdf). If your computer does not have Adobe Reader or Acrobat Reader installed already, use the procedure below to install it.

To install Adobe Reader (Acrobat Reader*2)

1. Place the CD-ROM that comes with the digital piano into your computer’s CD-ROM drive.
2. On the CD-ROM, navigate to the “Adobe”/ “English” folder and double-click “ar601enu.exe” (or “ar505enu.exe*2”). Follow the instructions that appear on your computer screen to install the driver.

- *2 Adobe Reader cannot be installed using the “ar601enu.exe” file on a computer running Windows 98. If your computer is running Windows 98, click “ar505enu.exe” to install Acrobat Reader.

Minimum Computer System Requirements**Supported Operating Systems**

Windows® XP Professional, Windows® XP Home Edition, Windows® 2000 Professional, Windows® Me, Windows® 98SE, Windows® 98

Driver Minimum Computer System Requirements

The following are the minimum computer system requirements for running the USB MIDI driver.

- **Universal**
 - IBM AT or compatible computer
 - USB port that provides normal operation under Windows
 - CD-ROM drive (for installation)
 - At least 2MB of free hard disk space (not including space required for Adobe Reader)
- **Windows XP**
 - Pentium 300MHz or higher
 - 128MB minimum memory
- **Windows 2000**
 - Pentium 166MHz or higher
 - 64MB minimum memory
- **Windows Me, Windows 98SE, Windows 98**
 - Pentium 166MHz or higher
 - 32MB minimum memory

USB Mode and MIDI Mode

Your digital piano has two data communication modes: a USB mode and a MIDI mode. The digital piano will enter the USB mode automatically whenever a connection is established between it and the USB driver running on a connected computer. If there is no computer connected to the USB port, the digital piano will enter the MIDI mode.

USB Mode

The above indicator appears for about three seconds after a USB connection is established. For details about using the MIDI device functions in the USB mode, see the “CASIO USB MIDI Driver User’s Guide” (manual_e.pdf) on the bundled CD-ROM.

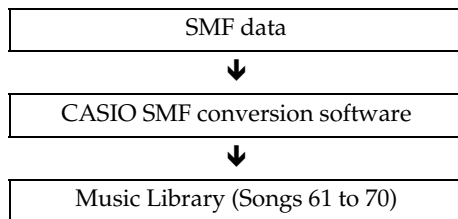
MIDI Mode

The above indicator appears for about three seconds after a USB connection terminated. The MIDI mode is used when sending and receiving data over the digital piano’s MIDI terminals.

Expanding the Selections in the Music Library

You can store up to 10 songs you have downloaded with your computer as songs 61 through 70 of the Music Library and practice along with them as they play, just as you do with the built-in songs.

You can also use the CASIO SMF conversion software (SMF Converter) to convert SMF data you have purchased or created and save it as a Music Library song.



NOTE

- You will not be able to transfer data from a computer to the digital piano during playback or recording of song data, during a data save or recall operation, etc. Wait until the current operation is complete before transferring data.

To install the SMF conversion software (SMF Converter)

- Place the CD-ROM that comes with the digital piano into the CD-ROM drive of a computer that is equipped with a USB port.
- Navigate to the CD-ROM and double-click the "SMFConv-e.exe" file. Next, follow the instructions that appear on your computer screen to install the software.

- Before installing SMF Converter, be sure to read the contents of the "smfreadme.txt" file. A version of this file is provided in each language folder on the CD-ROM.

For information about using SMF Converter, double-click [index.html] in the [help] folder, which was created when you installed SMF Converter. You can also access user documentation from the Windows [Start] menu by clicking [Programs] – [CASIO] – [SMF Converter] – [manual].

- A browser that supports frames (like Internet Explorer 4 or Netscape Navigator 4.04 or higher) is required to view the SMF Converter manual.

Minimum Computer System Requirements

● Operating System

Windows 98SE
Windows Me
Windows XP Professional
Windows XP Home Edition

● Storage

At least 10 MB of available disk space

● USB Interface

You also can download the SMF conversion software from the CASIO Website.

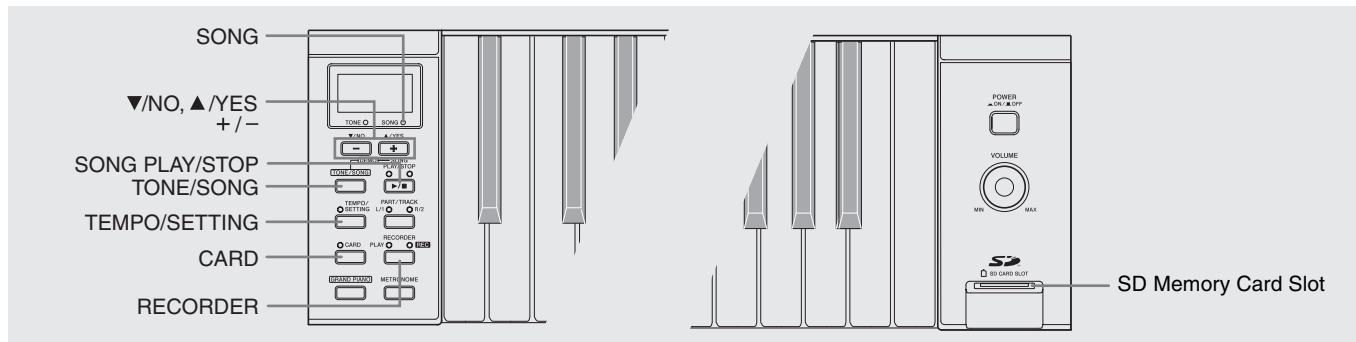
CASIO MUSIC SITE
<http://music.casio.com/>

- In addition to the software itself, the CASIO MUSIC SITE will also provide you with information about its installation and use. You can also find out the latest news about your digital piano and other CASIO musical instruments, and much more.

NOTE

- Your digital piano supports SMF Format 0 and Format 1.

Using an SD Memory Card



Your digital piano's SD memory card slot makes it possible for you to store song data on a commercially available SD memory card.



The digital piano also can read SMF song data and CASIO format song data from an SD memory card.

● Supported SD Memory Cards

The maximum supported SD memory card size is 1 GB. Use of any SD memory card with greater capacity is not supported.

● Supported Data Types and SD Memory Card Operations

Data Type	Display*1	File Name Extension	Supported SD Memory Card Operations
SMF Data (Format 0)	U (v)	.MID	Playback, transfer to user area, save to SD memory card*2
SMF Data (Format 1)*3	U (v)	.MID	Playback, transfer to user area
Song data converted using CASIO SMF conversion software (CASIO Format Data)	C (d)	.CM2	Playback, transfer to user area
Song data recorded on the digital piano (CASIO Format Data)	r (q)	.CSR	Transfer to recorder area, save to SD memory card

*1 If the first two characters of the filename of song data are not a two-digit number from 01 to 99, one of the letters in parentheses (according to data type) will be displayed as the data type indicator.

*2 Song data recorded with the digital piano can be saved as SMF Format 0 data.

*3 The digital piano will not be able to correctly play a file that has more than 17 tracks.

● Data Display Information



IMPORTANT!

- Use only SD memory cards. Operation is not guaranteed when any other type of memory card is used.

SD Memory Card and SD Memory Card Slot Precautions

IMPORTANT!

- Whenever handling an SD memory card, be sure to observe the instructions and precautions in the user documentation that comes with it.
- SD memory cards have a write-protect switch that protects against accidental deletion of data.
- Avoid using an SD memory card in the following types of areas. Such conditions can corrupt data stored on the memory card.
 - Areas subjected to high temperature, high humidity, and corrosive gas
 - Areas subjected to strong electrostatic charge and digital noise
- Never touch the contacts of an SD memory card when loading it or removing it from the digital piano.
- Never remove the SD memory card from the digital piano or turn off the digital piano while it is reading data from or writing data to the memory card. Doing so can corrupt the data on the memory card and damage the SD memory card slot.
- Never insert anything besides an SD memory card into the SD memory card slot. Doing so creates the risk of malfunction.
- Inserting an SD memory card that carries an electrostatic charge into the SD memory card slot can cause malfunction of the digital piano. If this happens, turn off the digital piano and then back on again.

- An SD memory card can become quite warm after very long use in the SD memory card slot. This is normal and does not indicate malfunction.
- An SD memory card has a limited service life. After very long use, you may start to experience problems with storing data to, or reading or deleting data from the memory card. When this happens, you need to purchase a new SD memory card.

* Note that CASIO COMPUTER CO., LTD. shall not be held liable for any loss of data stored on an SD memory card.

Using an SD Memory Card with the Digital Piano

When using an SD Memory card, first be sure to format the memory card on the digital piano. For details, see “Formatting an SD Memory Card” on page E-33.

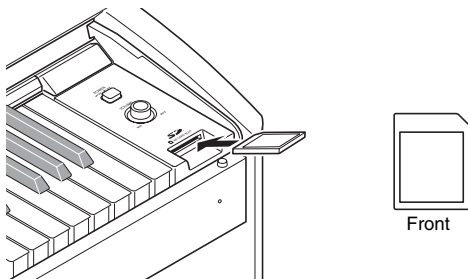
Inserting and Removing an SD Memory Card

IMPORTANT!

- Note that the SD memory card must be oriented correctly when you insert it into the SD memory card slot. Trying to force the memory card into the slot can damage the card and the slot.
- Never remove the SD memory card from the card slot or turn off the digital piano while any data access operation (save, read, format) is being performed. Doing so can corrupt the data on the memory card and damage the SD memory card slot.

To insert an SD memory card

1. With the SD memory card facing upwards as shown in the illustration, angle the card downwards as you insert it into the SD memory card slot.
 - Push the card into the slot until you hear it click into place.



To remove an SD memory card

IMPORTANT!

- Before removing the SD memory card, check to make sure that the lamp above the **CARD** button is not lit. If the lamp is lit or flashing, it means that the card is being accessed, and that you should not remove it.

1. Gently press the SD memory card slightly further into the slot and then release it.
 - This will cause the memory card to disengage and eject partially.
2. Pull the memory card out of the slot.

Playing Back a File Stored on an SD Memory Card

Playback of SMF format data and song data converted using SMF conversion software to CASIO CM2 format.

IMPORTANT!

- Note the following important precautions whenever playing back a data file you copied to a memory card with a computer. To perform the procedure below, you must have an SD memory card to which SMF data has been copied from a computer. Insert an SD memory card that has been formatted on the digital piano into the memory card slot of your computer, and copy the data you want to play back from your computer into the memory card folder named “MUSICDAT”. Note that you will not be able to play back the data on the digital piano if it is not located inside the “MUSICDAT” folder. If you create a sub-directory inside of the “MUSICDAT” folder, the digital piano will not be able to load any data inside the sub-directory.
- After you select a song data, it can take a number of seconds for the song data to be loaded. While the data is being loaded, the song number will flash on the display, and the keyboard keys and button operations will be disabled. If you are playing something on the keyboard, the following operation will cause output to stop.

1. Press the **CARD** button.
 - The **CARD** button lamp will light and a song number will appear on the display.



CASIO format song

2. Use the **+** and **-** buttons to display the song number of the song you want to play.
3. Press the **SONG PLAY/STOP** button to start playback.

4. To stop playback, press the **SONG PLAY/STOP** button.
5. After you are finished using the SD memory card, keep pressing the **CARD** button until its lamp turns off.

NOTE

- You can change tempo, volume, and pre-count settings for playback. See “Configuring Settings with the Keyboard” on page E-21 for more information.

Transferring Song Data from an SD Memory Card to Digital Piano Memory

You can use the procedures in this section to transfer song data from an SD memory card to the digital piano user area*¹ or recorder area.*²

*1 Music Library Songs 61 to 70

*2 Memory area where songs recorded on the digital piano are stored.

● Supported Data

User Area. SMF format data and song data converted using SMF conversion software (CASIO CM2 format)

Recorder Area. . . Song data recorded on the digital piano (CASIO CSR format)

PREPARATION

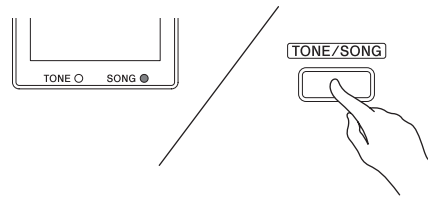
- Insert the SD memory card that contains the data you want to transfer into the digital piano’s SD memory card slot.

IMPORTANT!

- Never perform any operation on the digital piano while data is being saved to or transferred from an SD memory card. Performing any operation can cause SD memory card data to be deleted or damaged, making transfer of the data impossible.

To transfer song data from an SD memory card to the digital piano user area

1. Press the **TONE/SONG** button so the **SONG** lamp is lit.



2. Use the **+** and **-** buttons to display the number of the user area song (Music Library song number 61 through 70) to which you want to transfer the data.



This mark indicates that the currently displayed user area song number has data stored already.

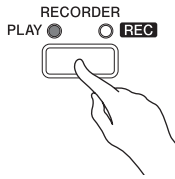
3. Hold down the **CARD** button until its lamp starts to flash slowly and “LdU” (Load User area) appears on the display.
4. Use the **+** and **-** buttons to display the file number of the data you want to transfer to digital piano memory.



5. When everything is the way you want, press the **TEMPO/SETTING** button to begin data transfer.
 - The message “CPL” (ComPLete) will appear on the display to let you know when data transfer is complete. The number of the user area to which the data was transferred will be shown on the display.
 - To interrupt an ongoing data transfer operation, press the **CARD** button.
 - If the user area song number you select already contains data, pressing **TEMPO/SETTING** in step 5 will display “rEP” (rEPlace) to confirm that you want to replace the existing data with the data you are transferring. Press the **▲/YES** button to replace the data. To cancel the operation, press the **▼/NO** button in place of the **▲/YES** button.

To transfer song data from an SD memory card to the recorder area

1. Press the **RECORDER** button so the **PLAY** lamp is lit.



2. Use the **+** and **-** buttons to display the number of the recorder area song (1 through 5) to which you want to transfer the data.



This mark indicates that the currently displayed song number has data stored already.

3. Hold down the **CARD** button until its lamp starts to flash slowly and “Ldr” (Load recorder area) appears on the display.
4. Use the **+** and **-** buttons to display the song number of the data you want to transfer to digital piano memory.



5. When everything is the way you want, press the **TEMPO/SETTING** button to begin data transfer.
 - The message “CPL” (ComPLete) will appear on the display to let you know when data transfer is complete. The number of the recorder area to which the data was transferred will be shown on the display.
 - To interrupt an ongoing data transfer operation, press the **CARD** button.
 - If the recorder area song number you select already contains data, pressing **TEMPO/SETTING** in step 5 will display “rEP” (rEPlace) to confirm that you want to replace the existing data with the data you are transferring. Press the **▲/YES** button to replace the data. To cancel the operation, press the **▼/NO** button in place of the **▲/YES** button.

Saving Song Data Recorded on the Digital Piano to an SD Memory Card

You can save song data that you recorded on the digital piano to an SD memory card as SMF Format 0 data or CASIO CSR data.

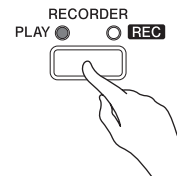
PREPARATION

- Insert an SD memory card that has been formatted on the digital piano into the digital piano’s SD memory card slot. Make sure that the write-protect switch of the SD memory card is not in the write-protect position.

IMPORTANT!

- Never perform any operation on the digital piano while data is being saved to or transferred from an SD memory card. Performing any operation can cause SD memory card data to be deleted or damaged, making transfer of the data impossible.

1. Press the **RECORDER** button so the **PLAY** lamp is lit.



2. Use the **+** and **-** buttons to display the song number (1 to 5) of the song you want to save.



3. Hold down the **CARD** button until its lamp starts to flash slowly and “Ldr” (Load recorder area) appears on the display.
4. Press the **CARD** button again.
 - This will cause the **CARD** button lamp to flash at a higher speed and “SvC” (Save as CSR file) to appear on the display. This indicates that the song will be saved as CASIO format CSR data.
 - If you want to save the song as SMF Format 0 data, press the **CARD** button again. This will cause “SvS” (Save as SMF0 file) to appear on the display.

5. Use the + and – buttons to select the file number where you want to save the song data.



This mark indicates that the currently displayed song number has data stored already.

6. When everything is the way you want, press the **TEMPO/SETTING** button to begin saving data.

- The message “CPL” (ComPLete) will appear on the display to let you know when the save operation is complete.
- To interrupt an ongoing save operation, press the **CARD** button.
- If the SD memory card already contains a data file with the same file number, pressing **TEMPO/SETTING** in step 6 will display “rEP” (rEPlace) to confirm that you want to replace the existing file with the file you are saving. Press the **▲/YES** button to replace the file.
- To cancel the operation, press the **▼/NO** button in place of the **▲/YES** button.

Formatting an SD Memory Card

Use the procedures in this section to format an SD memory card.



IMPORTANT!

- Before performing the procedure below, check to make sure that the SD memory card does not contain any data you might need.
- The SD memory card format performed by your digital piano is a “quick format”. If you want to completely delete all of the data on the card, format it on your computer or using some other device.

PREPARATION

- Insert the SD memory card you want to format into the digital piano’s SD memory card slot. Make sure that the write-protect switch of the SD memory card is not in the write-protect position.

1. While holding down the **TEMPO/SETTING** button, press the **CARD** button. Keep the **TEMPO/SETTING** button depressed until you finish step 2 of this procedure.
- This will cause “For” (Format) to appear on the display.

2. Press the **▲/YES** button to start formatting.
- “PLS” (PLeaSe wait) remains on the display while the formatting operation is performed. Never try to perform any other operation on the digital piano while the memory card is being formatted. The message “CPL” will appear on the display to let you know when the format operation is complete.
 - To cancel the format operation, press the **▼/NO** button in place of the **▲/YES** button.
3. Release the **TEMPO/SETTING** button to complete the formatting procedure.
- This causes the indicator lamp above the button to turn off.

SD Memory Card Errors

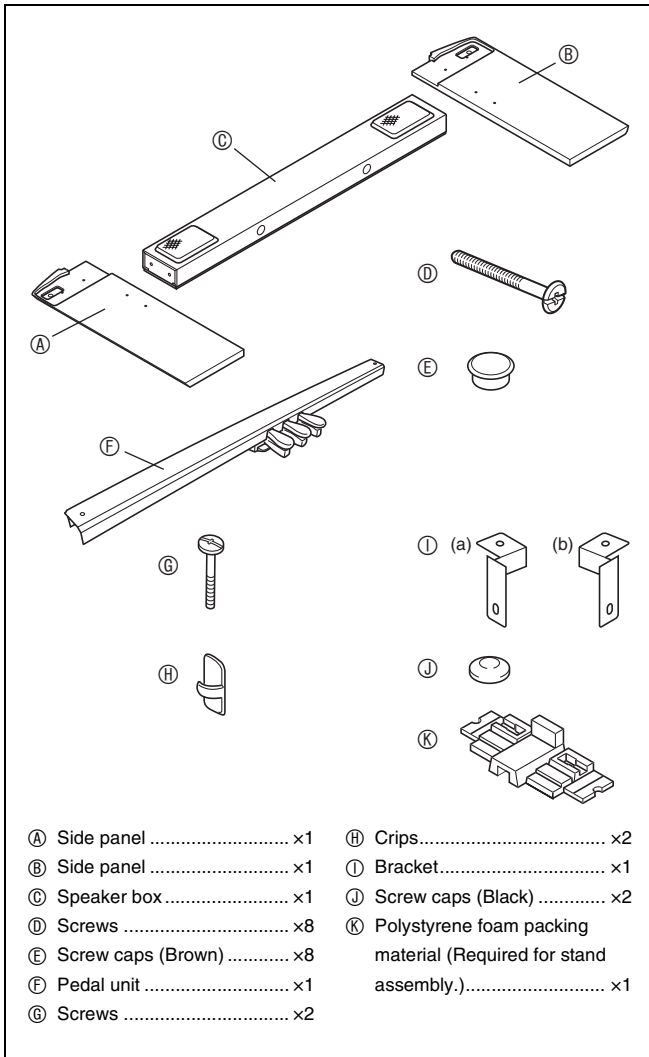
Display Message	Cause	Action
[noC]	No SD memory card loaded in the SD memory card slot or the card is not loaded correctly.	Correctly insert the SD memory card into the SD memory card slot. (Page E-30)
[noF]	You are trying to load data from an SD memory card that does not contain any data that is supported by this digital piano.	<ol style="list-style-type: none"> 1. Use an SD memory card that contains files that can be loaded into digital piano memory. 2. When copying data was copied to an SD memory card from a computer, copy it to the "MUSICDAT" folder. (Page E-30)
[Er1]	The SD memory card is damaged or the card was removed while it was being accessed.	<ol style="list-style-type: none"> 1. Use an SD memory card that was formatted on the digital piano. (Page E-33) 2. Use a different SD memory card.
[Er2]	The SD memory card is full.	Use a different SD memory card.
[Er3]	An SD memory card was removed while some operation was in progress.	Never remove a card from the card slot while a card access operation is in progress.
[Er4]	Attempt to overwrite the song data file that is read-only.	Save the file to a different SD memory card or under a different number.
[Er5]	The data file you are trying to transfer to the digital piano is too large.	<p>When playing back a file stored on an SD memory card or loading data to the user area, select a data file that is no larger than about 318 KB.</p> <p>When loading song data to the recorder area, you can only select song data that was recorded on this model of digital piano.</p>
[Er6]	You are attempting to load SMF (Standard MIDI File) data that is not Format 0 or Format 1.	Use only Format 0 or Format 1 SMF data.
[Er7]	You are trying to store data to an SD memory card that is write-protected.	<ol style="list-style-type: none"> 1. Use a different SD memory card. 2. If you want to write to the SD memory card, change the write-protect position to enable writing. (Page E-29)
[Er8]	There is a problem with the SD memory card data format or the data is corrupted.	Use different data or a different SD memory card.

Assembling the Stand

Unpacking

PREPARATION

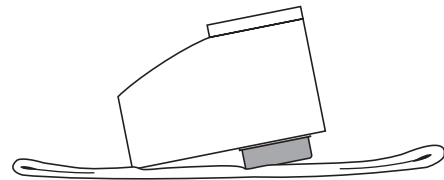
- Before starting assembly, check to make sure that you have all the parts shown below. You can find the screws in a plastic bag inside of the polystyrene foam packing material.
- This stand does not include any of the tools required for assembly. It is up to you to prepare a large Philips head (+) screwdriver for assembly.



Assembling the Stand

⚠ CAUTION

- The stand should be assembled by two people working together.
- The stand should be assembled on a flat surface.
- Do not remove the tape securing the keyboard cover in place until assembly is complete. Removing the tape can cause the keyboard cover to open and close during assembly, creating the risk of personal injury to your hands and fingers.
- Take care that you do not pinch your fingers between parts when assembling them.
- When placing the digital piano on the floor, be sure to place it on something soft (a blanket, cushion, etc.). Do not place the digital piano directly onto the floor.



📌 NOTE

- When attaching the digital piano and the speaker box (C) to side panels (A) and (B), lay the entire assembly on its side.
- Be sure to follow the proper procedure when assembling the stand. Be especially careful in the case of steps 2 and 3. Reversing these two steps creates the risk that the connector will not be plugged in fully.

PREPARATION

- Before starting assembly of the stand, divide the polystyrene foam packing material ⑥ into the sections shown in Figure 1. Use the packing material to secure side panels ④ and ⑤ as shown in Figure 2. You will have an easier time assembling the stand if the side panels are raised as shown in the illustration.
- If you do not have any packing material available for some reason, use a magazine or some other thick item.

Figure 1

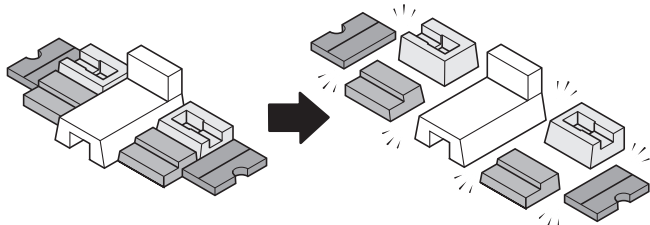
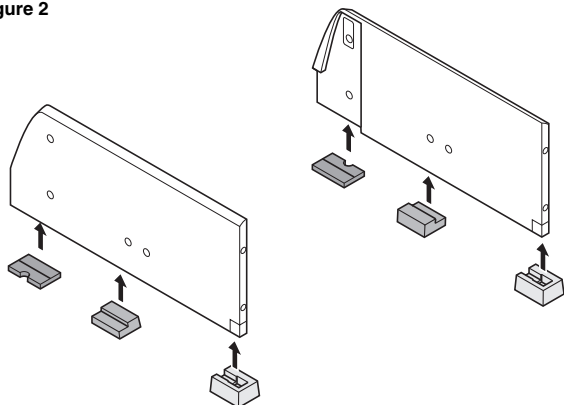
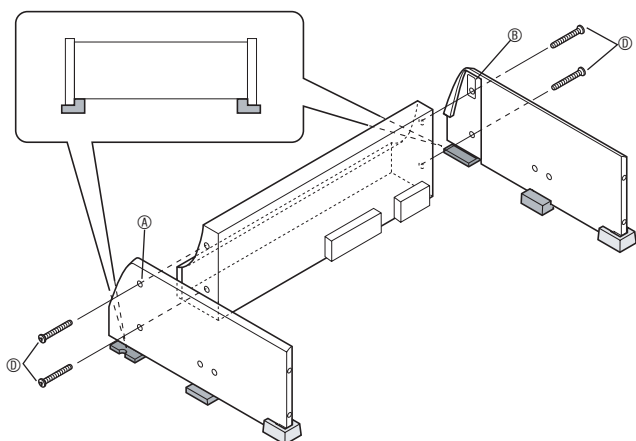


Figure 2

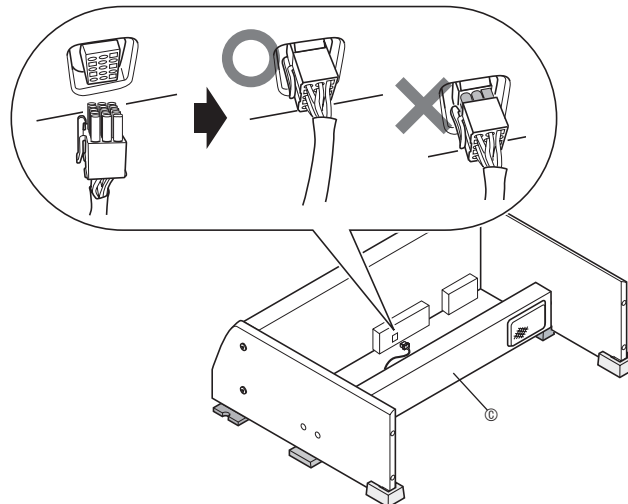


1. Attach side panels ④ and ⑤ to the digital piano. Secure the side panels using four screws ⑦.

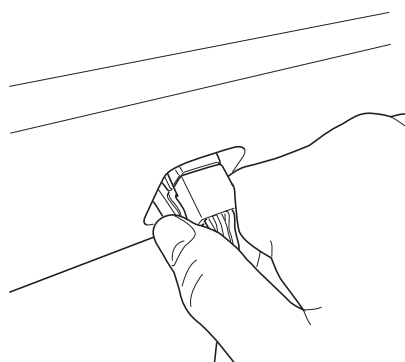


2. Plug the speaker box ⑧ cable into the speaker connector on the bottom of the digital piano.

- Stand the speaker box ⑧ up on its edge as shown in the illustration when connecting the cable.
- Press the plug fully into the connector as far as it will go.

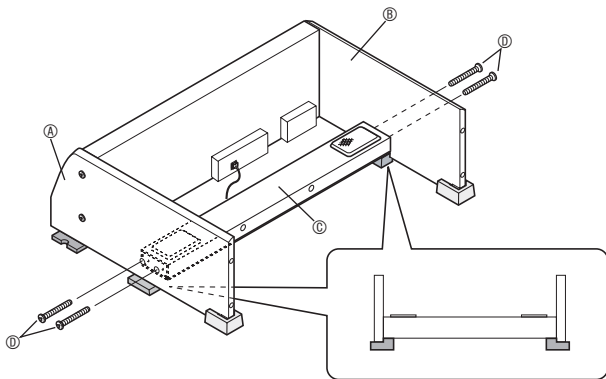


- When disconnecting the connector, press the hook as shown in the illustration below as you pull out.



3. With the speaker box ③ laying on its side as shown in the illustration, secure side panels ① and ② to the speaker box ③. Secure the side panels using four screws ④.

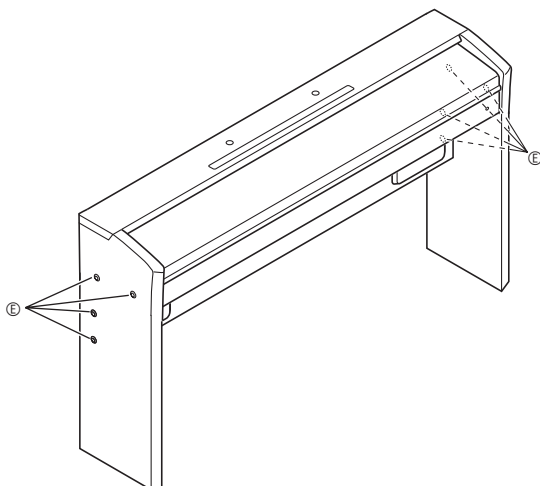
- Align the screw holes of the speaker box ③ with the screw holes of the side panels as you install the screws ④.
- Partially tighten the screws on one side of the speaker box ③ and then fully tighten the screws on the other side.
- Next, fully tighten the screws that you partially tightened.



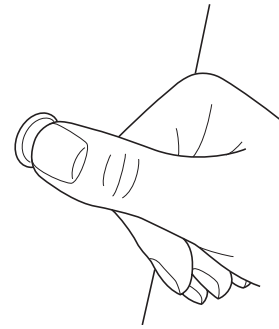
- You can also install the speaker box ③ so it faces towards the back of the stand.

4. After ensuring that all of the screws are fully tightened, remove the packing material and stand up the stand.

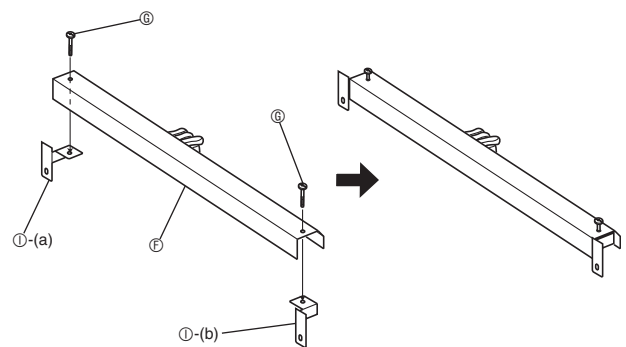
- Cover each of the eight side panel screws with screw caps ⑤.



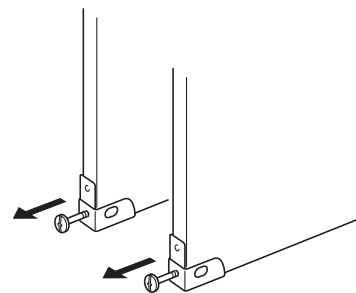
- Insert screw caps at the locations indicated in the illustration and press them in as far as they will go.



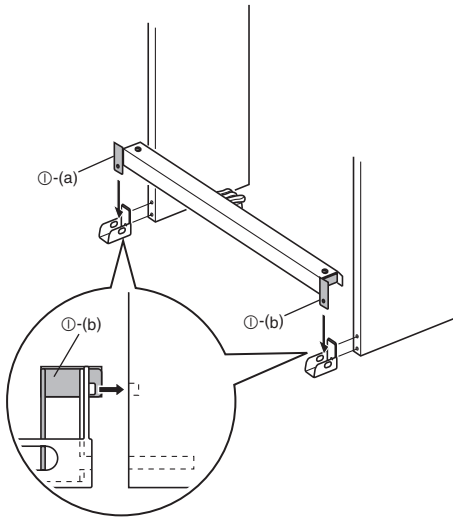
5. Attach the brackets ① to the pedal unit ⑥, and temporarily secure them with screws ③.



6. Remove the screws that hold the corner brackets in place on the back corners (the corners away from the pianist) of the side panels.



7. Turn around the corner brackets as shown in the illustration, and insert them between pedal unit brackets ①-(a) and ①-(b), and the edges of the side panels.

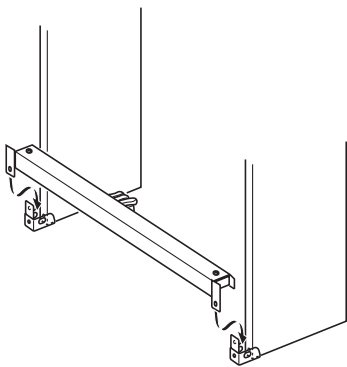


⚠ WARNING

- The corner brackets help to prevent the stand from tipping over. Whenever the stand is in a location that is not up against a wall, reorient the corner brackets as shown in the illustration. Leaving the corner brackets in their original orientations can make it easy for the stand to tip over towards the back, creating the risk of personal injury.

Locating the Stand against a Wall

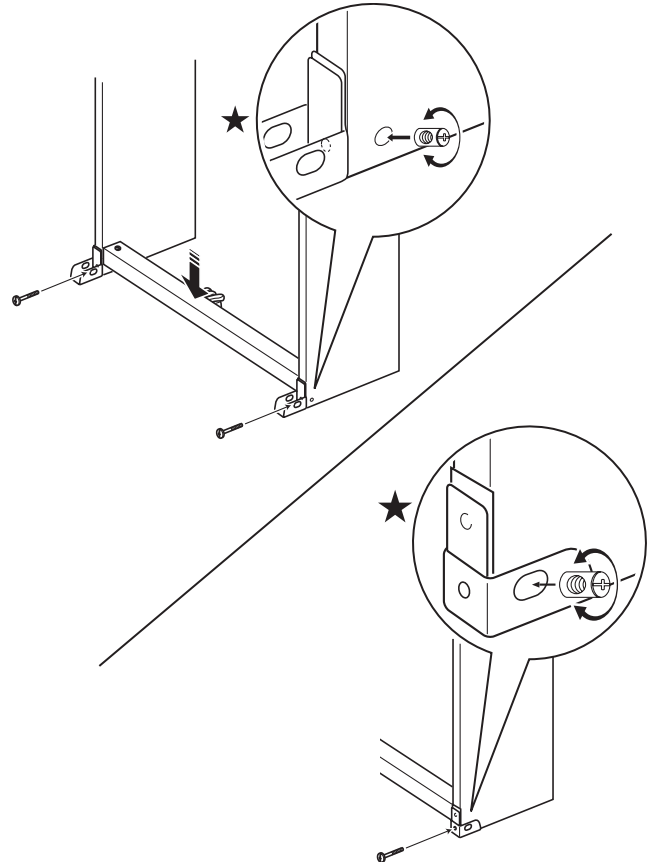
Leaving the anti-tipping brackets in their original orientation, insert the pedal unit brackets between the anti-tipping brackets and the edges of the side panels.



8. Secure the corner brackets to the stand using the screws you removed in step 6.

IMPORTANT!

- When tightening the corner bracket screws, press down on the pedal unit to ensure that the pedal part comes into contact with the floor.



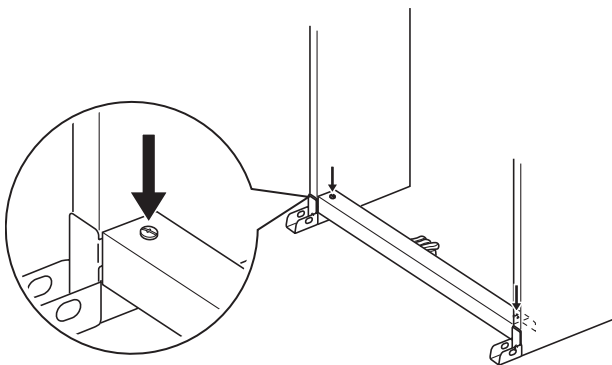
- The side panels have joint connectors inside that engage with the corner bracket screws. If you have trouble inserting the screws into the joint connector screw holes, use a screwdriver to rotate the joint connector and adjust the position of the screw hole for easier access. See the detail drawing (marked with a star) in the above illustration.

To tighten the joint connector and screw

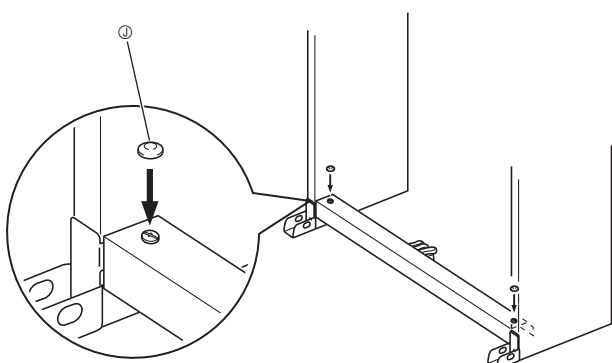
- (1) Rotate the screw counterclockwise about three turns to ensure that the screw is in the center of the joint connector.
- (2) Slowly rotate the screw clockwise and confirm that it tightens without resistance. If you feel any resistance, it means that the screw is not engaging properly with the joint connector. Rotate the screw counterclockwise again and try to get it to engage properly.
- (3) If you experience problems getting the screw to engage properly, use a screwdriver to rotate the joint connector 180 degrees. Next perform steps (1) and (2) again to engage the screw from the screw hole on the other side.

* Forcibly tightening a screw while it is not engaged properly can strip the threads of the screw and joint connector, making them unusable.

9. Securely tighten the screws ⑥ that you temporarily tightened in step 5.



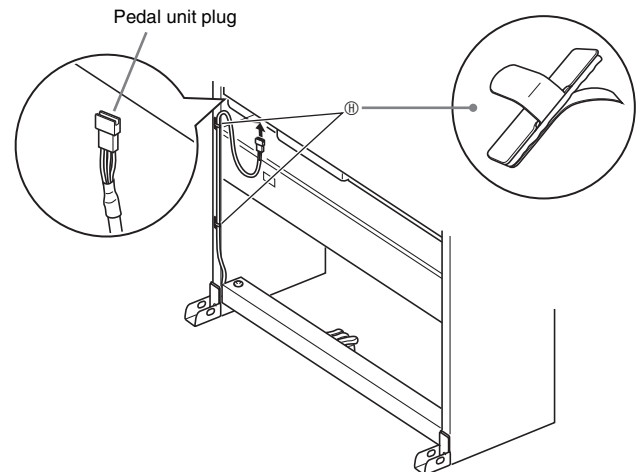
10. Cover the screw heads with the caps ⑦.



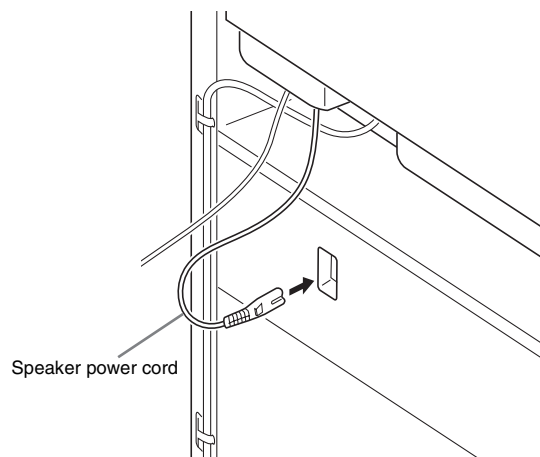
To connect cords

1. Orienting the pedal unit plug as shown in the illustration, plug it into the pedal connector on the bottom of the digital piano. Secure the pedal cord with clips ⑧.

- Attach the clips ⑧ at two locations to the stand's side panel as shown in the illustration.



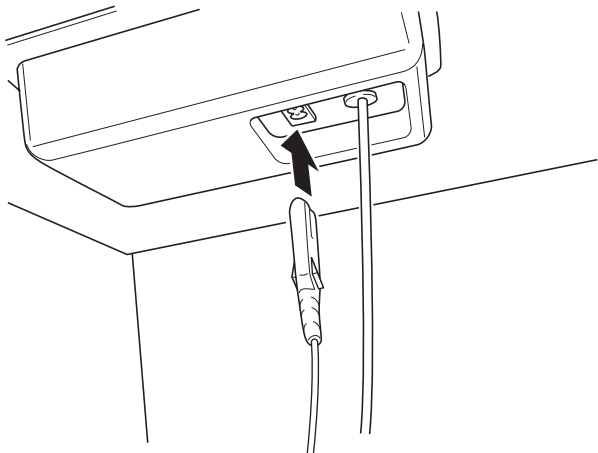
2. Connect the speaker power cord that comes out of the power supply box to the speaker box.



3. Check to make sure that the **POWER** button is in the **OFF** position (raised). If power is on, press the **POWER** button to turn it off.

4. Plug the power cord that comes with the digital piano into the AC power jack on the bottom of the digital piano.*

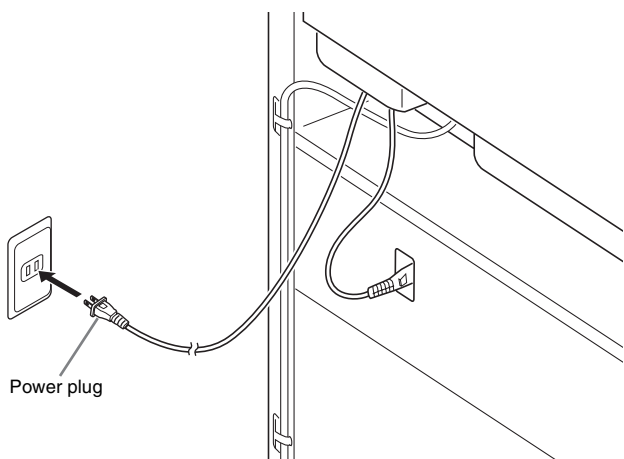
* PX-800V only



5. Plug the power cord into a household power outlet.

IMPORTANT!

- The shape of the power cord plug and household power outlet receptacle differ according to country and geographical area. The illustration shows just one example of the shapes that are available.
- The power cord of the PX-800 is hard-wired to the digital piano.

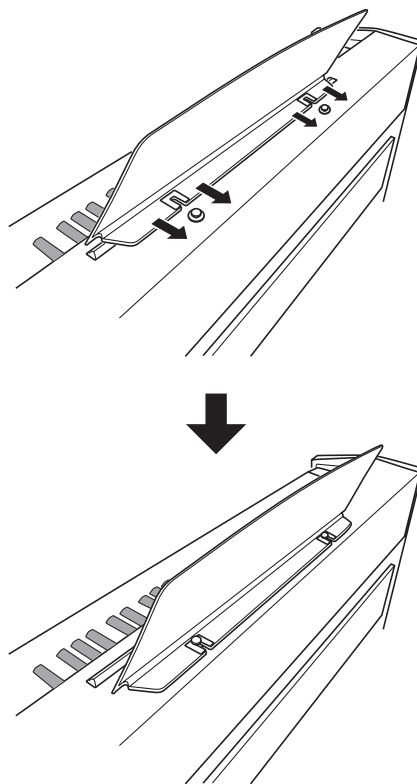


CAUTION

- The screws of the stand can work loose due to the effects of temperature and humidity changes, vibration, etc. Because of this, you need to periodically check the screws for proper tightness. Retighten any loose screws you find.
- To power the digital piano, use a power outlet that allows easy access when plugging in or unplugging the power cord.

To install the music stand

1. Slide the music stand under the two bolts on the top of the digital piano as shown in the illustration and then tighten the bolts.



Reference

Troubleshooting

Problem	Cause	Action	See Page
No sound is produced when I press a keyboard key.	<ol style="list-style-type: none"> 1. The VOLUME controller is set to "MIN". 2. Headphones are connected to the digital piano. 3. MIDI Local Control is turned off. 	<ol style="list-style-type: none"> 1. Rotate the VOLUME controller more towards "MAX". 2. Unplug the headphones from the digital piano. 3. Turn on the Local Control setting. 	<p>☞ E-7</p> <p>☞ E-6</p> <p>☞ E-25</p>
The pitch of the digital piano is off.	<ol style="list-style-type: none"> 1. The digital piano's key setting is something other than "0". 2. Digital piano tuning is incorrect. 	<ol style="list-style-type: none"> 1. Change the key setting to "0", or turn digital piano power off and then back on again. 2. Adjust digital piano tuning, or turn the digital piano off and then back on again. 	<p>☞ E-23</p> <p>☞ E-23</p>
No sound is produced when I try to play back a built-in song or a recorded song.	<ol style="list-style-type: none"> 1. The VOLUME controller is set to "MIN". 2. Headphones are connected to the digital piano. 	<ol style="list-style-type: none"> 1. Rotate the VOLUME controller more towards "MAX". 2. Unplug the headphones from the digital piano. 	<p>☞ E-7</p> <p>☞ E-6</p>
When I play something on the digital piano, my connected external MIDI sound source does not sound.	<ol style="list-style-type: none"> 1. The digital piano's send channel is different from the send channel of the external MIDI sound source. 2. The volume or expression setting of the external sound source is "0". 	<ol style="list-style-type: none"> 1. Change the send channel settings of the digital piano and/or the external MIDI sound source so they are the same. 2. Adjust the volume and expression settings of the external sound source. 	<p>☞ E-25</p> <p>☞ External sound source user's guide</p>
No sound is produced when playing MIDI data from a computer.	The USB cable is not connected correctly.	Check to make sure that the USB cable is connected correctly.	☞ E-26
When connected to a computer over a USB connection, playing on the keyboard produces unnatural sounds.	The computer's MIDI THRU function is turned on.	Turn off MIDI THRU on the computer, or turn off digital piano Local Control.	☞ E-25
I can't store data to an SD memory card.	<ol style="list-style-type: none"> 1. The SD memory card is write-protected. 2. The card is not inserted properly into the SD memory card slot. 3. There is not enough room available on the SD memory card. 4. The capacity of the SD memory card is not supported by the digital piano. 5. The SD memory card is damaged. 	<ol style="list-style-type: none"> 1. Change the write-protect position to enable writing. 2. Insert the card properly. 3. Use a different SD memory card. 4. Use an SD memory card with a supported capacity. 5. Use a different SD memory card. 	<p>☞ E-29</p> <p>☞ E-30</p> <p>☞ E-29</p>
I can't load data from an SD memory card.	<ol style="list-style-type: none"> 1. The card is not inserted properly into the SD memory card slot. 2. The capacity of the SD memory card is not supported by the digital piano. 3. The SD memory card is damaged. 4. When the data was copied to the card from a computer, it was copied to a folder other than "MUSICDAT". 	<ol style="list-style-type: none"> 1. Insert the card properly. 2. Use an SD memory card with a supported capacity. 3. Use a different SD memory card. 4. Move the data to the "MUSICDAT" folder. 	<p>☞ E-30</p> <p>☞ E-29</p> <p>☞ E-30</p>

Problem	Cause	Action	See Page
Playback stops part way through while transferring song data from my computer.	Digital noise from the USB cable or power cord caused data communication your computer and digital piano to be interrupted.	Stop song playback, disconnect the USB cable from the digital piano, and then reconnect it. Next, try playing back the song again. If this does not solve the problem, quit the MIDI software you are using, disconnect the USB cable from the digital piano, and then reconnect it. Next, restart the MIDI software and then try playing back the song again.	E-26
“E-A” appears on the display immediately after power is turned on.	Built-in flash memory is corrupted.	Contact your nearest CASIO service provider.	
A tone’s quality and volume sounds slightly different depending where it is played on the keyboard.	This is an unavoidable result of the digital sampling process,* and does not indicate malfunction. * Multiple digital samples are taken for the low range, middle range, and high range of the original musical instrument. Because of this, there may be a very slight difference in tonal quality and volume between sample ranges.		

Product Specifications

All of the items in these specifications apply to the PX-800 and PX-800V, unless specifically noted otherwise.

Model	PX-800/PX-800V
Keyboard	88-key piano keyboard, with Touch Response
Maximum Polyphony	128 notes
Tones	162 (with Layer and Split)
Effects	DSP, Reverb (4 types), chorus (4 types), Acoustic Resonance, Brilliance (-3 to +3)
Metronome	<ul style="list-style-type: none"> • Beats: 0, 2, 3, 4, 5, 6 • Tempo Range: 20 to 255
Demo Songs	<ul style="list-style-type: none"> • Number of Songs: 72 songs (All-song repeat play)
Music Library	<ul style="list-style-type: none"> • Number of Songs: 60 • User Songs: Up to 10 (Up to approximately 3.1 MB; up to approximately 318 KB per song)* * Based on 1 KB = 1024 bytes, 1 MB = 1024² bytes. • Song volume: Adjustable • Part On/Off: L, R
Recorder	<ul style="list-style-type: none"> • Functions: Real-time recording, playback • Number of Songs: 5 • Number of Tracks: 2 • Capacity: Approximately 50,000 notes total (Up to approximately 10,000 notes per song) • Recorded Data Protection: Built-in flash memory
Pedals	Damper, soft, sostenuto
Other Functions	<ul style="list-style-type: none"> • Touch Select: 3 types, Off • Transpose: 1 octave (-6 to 0 to 5) • Tuning: A4 = 440.0 Hz ±50 cents (variable)
MIDI	16-channel multi-timbre receive
SD Memory Card	<ul style="list-style-type: none"> • SD memory card slot • Supported SD Memory Cards: Up to 1 GB (Larger capacity cards not supported.) • Functions: SMF playback, data storage, data recall, card format
Inputs/Outputs	<ul style="list-style-type: none"> • PHONES jack: Stereo standard jacks × 2 Output impedance: 30Ω Output Voltage: 2.0V (RMS) MAX • MIDI OUT/IN terminals • LINE OUT R, L/MONO jacks: Standard jacks × 2 Output impedance: 1.1Ω Output Voltage: 2.2V (RMS) MAX • USB port: Type B • Pedal connector
Speakers	φ 12cm × 2 + φ 5cm × 2 (Output 20W + 20W)
Power Requirements	PX-800: 120V PX-800V: 220-240V
Power Consumption	PX-800: 60W PX-800V: 60W
Dimensions	Digital Piano and Stand: 143.6 (W) × 29.8 (D) × 79.6 (H) cm (56 ⁹ / ₁₆ × 11 ¹² / ₁₆ × 31 ⁶ / ₁₆ inch)
Weight	Digital Piano and Stand: approximately 41.0 kg (90.3 lbs)

- Specifications and designs are subject to change without notice.
- The power cord of the PX-800 is hard-wired to the digital piano.
- The power cord of the PX-800V is detachable.

Operating Precautions

Be sure to read and observe the following operating precautions.

■ Location

Avoid the following locations for this product.

- Areas exposed to direct sunlight and high humidity
- Areas subjected to temperature extremes
- Near a radio, TV, video deck, or tuner

The above devices will not cause malfunction of the product, but interference from the product can cause audio or video interference of a nearby device.

■ User Maintenance

- Never use benzene, alcohol, thinner, or other chemical agents to clean the product.
- To clean the product or its keyboard, wipe with a soft cloth moistened in a weak solution of water and a mild neutral detergent. Wring all excess moisture from the cloth before wiping.

■ Included and Optional Accessories

Use only accessories that are specified for use with this product. Use of unauthorized accessories creates the risk of fire, electric shock, and personal injury.

■ Weld Lines

Lines may be visible on the exterior of the product. These are “weld lines” that result from the plastic molding process. They are not cracks or scratches.

■ Musical Instrument Etiquette

Always be aware of others around you whenever using this product. Be especially careful when playing late at night to keep the volume at levels that do not disturb others. Other steps you can take when playing late at night are closing the window and using headphones.

- Any reproduction of the contents of this manual, either in part or its entirety, is prohibited. Except for your own, personal use, any other use of the contents of this manual without the consent of CASIO is prohibited under copyright laws.
- IN NO EVENT SHALL CASIO BE LIABLE FOR ANY DAMAGES WHATSOEVER (INCLUDING, WITHOUT LIMITATION, DAMAGES FOR LOSS OF PROFITS, BUSINESS INTERRUPTION, LOSS OF INFORMATION) ARISING OUT OF THE USE OF OR INABILITY TO USE THIS MANUAL OR PRODUCT, EVEN IF CASIO HAS BEEN ADVISED OF THE POSSIBILITY OF SUCH DAMAGES.
- The contents of this manual are subject to change without notice.

Appendix/Apéndice

Tone List/Lista de tonos

No./Nº	Tone Name/ Nombre de tonos	Program Change/ Cambio de programa	Bank Select MSB/ MSB de selección de banco	Maximum Polyphony /Polifonía máxima	DSP
01	GRAND PIANO	0	48	64	—
02	GRAND PIANO 2	0	49	128	—
03	GRAND PIANO 3	1	48	64	—
04	ELEC PIANO 1	4	48	128	Enhancer
05	ELEC PIANO 2	5	49	64	3Band EQ
06	ELEC PIANO 3	5	48	128	Enhancer
07	HARPSICHORD	6	48	128	3Band EQ
08	VIBRAPHONE	11	48	128	Tremolo
09	PIPE ORGAN	19	49	128	—
10	PERC ORGAN	17	48	64	Rotary
11	STRINGS	49	48	128	3Band EQ
12	ACOUSTIC BASS	32	48	128	3Band EQ
Various					
001	MELLOW PIANO	0	50	64	—
002	ROCK PIANO	1	49	128	—
003	DANCE PIANO	1	50	128	—
004	MODERN PIANO	1	51	64	—
005	PIANO PAD	0	51	64	—
006	HONKY-TONK	3	48	64	—
007	OCTAVE PIANO	3	49	64	—
008	DYNO ELEC.PIANO	4	49	128	Auto Pan
009	POP ELEC.PIANO	4	50	64	Tremolo
010	E.GRAND 80	2	48	128	—
011	CLAVI	7	48	128	Enhancer
012	CHURCH ORGAN	19	48	64	—
013	DRAWBAR ORGAN	16	48	128	Rotary
014	ROCK ORGAN	16	49	128	Drive Rotary
015	STEEL STR.GUITAR	25	48	128	—
016	SYNTH-STRINGS	50	48	128	3Band EQ
017	CHOIR	52	48	64	—
018	SYNTH-PAD	90	48	64	—
019	FANTASY	88	48	64	—
020	NEW AGE	88	49	64	3Band EQ
GM					
021	GM PIANO 1	0	0	128	—
022	GM PIANO 2	1	0	128	—
023	GM PIANO 3	2	0	128	—
024	GM HONKY-TONK	3	0	64	—
025	GM E.PIANO 1	4	0	128	—
026	GM E.PIANO 2	5	0	128	—
027	GM HARPSICHORD	6	0	128	—
028	GM CLAVI	7	0	128	—
029	GM CELESTA	8	0	128	—
030	GM GLOCKENSPIEL	9	0	128	—
031	GM MUSIC BOX	10	0	64	—
032	GM VIBRAPHONE	11	0	128	—
033	GM MARIMBA	12	0	128	—
034	GM XYLOPHONE	13	0	128	—
035	GM TUBULAR BELL	14	0	128	—
036	GM DULCIMER	15	0	64	—
037	GM ORGAN 1	16	0	128	—
038	GM ORGAN 2	17	0	64	—
039	GM ORGAN 3	18	0	64	—
040	GM PIPE ORGAN	19	0	64	—
041	GM REED ORGAN	20	0	128	—
042	GM ACCORDION	21	0	64	—

No./Nº	Tone Name/ Nombre de tonos	Program Change/ Cambio de programa	Bank Select MSB/ MSB de selección de banco	Maximum Polyphony /Polifonía máxima	DSP
043	GM HARMONICA	22	0	128	—
044	GM BANDONEON	23	0	64	—
045	GM NYLON STR.GUITAR	24	0	128	—
046	GM STEEL STR.GUITAR	25	0	128	—
047	GM JAZZ GUITAR	26	0	128	—
048	GM CLEAN GUITAR	27	0	128	—
049	GM MUTE GUITAR	28	0	128	—
050	GM OVERDRIVE GT	29	0	64	—
051	GM DISTORTION GT	30	0	64	—
052	GM GT HARMONICS	31	0	128	—
053	GM ACOUSTIC BASS	32	0	128	—
054	GM FINGERED BASS	33	0	128	—
055	GM PICKED BASS	34	0	128	—
056	GM FRETLESS BASS	35	0	128	—
057	GM SLAP BASS 1	36	0	128	—
058	GM SLAP BASS 2	37	0	128	—
059	GM SYNTH-BASS 1	38	0	64	—
060	GM SYNTH-BASS 2	39	0	128	—
061	GM VIOLIN	40	0	128	—
062	GM VIOLA	41	0	128	—
063	GM CELLO	42	0	128	—
064	GM CONTRABASS	43	0	128	—
065	GM TREMOLO STRINGS	44	0	128	—
066	GM PIZZICATO	45	0	128	—
067	GM HARP	46	0	128	—
068	GM TIMPANI	47	0	128	—
069	GM STRINGS 1	48	0	128	—
070	GM STRINGS 2	49	0	128	—
071	GM SYNTH- STRINGS 1	50	0	128	—
072	GM SYNTH- STRINGS 2	51	0	128	—
073	GM CHOIR AAHS	52	0	128	—
074	GM VOICE DOO	53	0	128	—
075	GM SYNTH-VOICE	54	0	128	—
076	GM ORCHESTRA HIT	55	0	64	—
077	GM TRUMPET	56	0	128	—
078	GM TROMBONE	57	0	128	—
079	GM TUBA	58	0	128	—
080	GM MUTE TRUMPET	59	0	128	—
081	GM FRENCH HORN	60	0	64	—
082	GM BRASS	61	0	128	—
083	GM SYNTH-BRASS 1	62	0	64	—
084	GM SYNTH-BRASS 2	63	0	64	—
085	GM SOPRANO SAX	64	0	128	—
086	GM ALTO SAX	65	0	128	—
087	GM TENOR SAX	66	0	128	—
088	GM BARITONE SAX	67	0	128	—
089	GM OBOE	68	0	128	—
090	GM ENGLISH HORN	69	0	128	—
091	GM BASSOON	70	0	128	—
092	GM CLARINET	71	0	128	—
093	GM PICCOLO	72	0	128	—
094	GM FLUTE	73	0	128	—
095	GM RECORDER	74	0	128	—
096	GM PAN FLUTE	75	0	128	—
097	GM BOTTLE BLOW	76	0	128	—
098	GM SHAKUHACHI	77	0	64	—

No./ N°	Tone Name/ Nombre de tonos	Program Change/ Cambio de programa	Bank Select MSB/ MSB de selección de banco	Maximum Polyphony /Polifonía máxima	DSP
099	GM WHISTLE	78	0	128	—
100	GM OCARINA	79	0	128	—
101	GM SQUARE LEAD	80	0	64	—
102	GM SAWTOOTH LEAD	81	0	64	—
103	GM CALLIOPE	82	0	64	—
104	GM CHIFF LEAD	83	0	64	—
105	GM CHARANG	84	0	64	—
106	GM VOICE LEAD	85	0	64	—
107	GM FIFTH LEAD	86	0	64	—
108	GM BASS+LEAD	87	0	64	—
109	GM FANTASY	88	0	64	—
110	GM WARM PAD	89	0	128	—
111	GM POLYSYNTH	90	0	64	—
112	GM SPACE CHOIR	91	0	64	—
113	GM BOWED GLASS	92	0	64	—
114	GM METAL PAD	93	0	64	—
115	GM HALO PAD	94	0	64	—
116	GM SWEEP PAD	95	0	128	—
117	GM RAIN DROP	96	0	64	—
118	GM SOUND TRACK	97	0	64	—
119	GM CRYSTAL	98	0	64	—
120	GM ATMOSPHERE	99	0	64	—
121	GM BRIGHTNESS	100	0	64	—
122	GM GOBLINS	101	0	64	—
123	GM ECHOES	102	0	128	—
124	GM SF	103	0	64	—
125	GM SITAR	104	0	128	—
126	GM BANJO	105	0	128	—
127	GM SHAMISEN	106	0	128	—
128	GM KOTO	107	0	128	—
129	GM THUMB PIANO	108	0	128	—
130	GM BAGPIPE	109	0	64	—
131	GM FIDDLE	110	0	128	—
132	GM SHANAI	111	0	128	—
133	GM TINKLE BELL	112	0	128	—
134	GM AGOGO	113	0	128	—
135	GM STEEL DRUMS	114	0	64	—
136	GM WOOD BLOCK	115	0	128	—
137	GM TAIKO	116	0	128	—
138	GM MELODIC TOM	117	0	128	—
139	GM SYNTH-DRUM	118	0	128	—
140	GM REVERSE CYMBAL	119	0	128	—
141	GM GT FRET NOISE	120	0	128	—
142	GM BREATH NOISE	121	0	128	—
143	GM SEASHORE	122	0	64	—
144	GM BIRD	123	0	64	—
145	GM TELEPHONE	124	0	128	—
146	GM HELICOPTER	125	0	128	—
147	GM APPLAUSE	126	0	64	—
148	GM GUNSHOT	127	0	128	—
Drum Sets					
149	STANDARD SET	0	120	128	—
150	BRUSH SET	40	120	128	—

Drum Assignment List/ Lista de sonidos de batería

Key/Note Number Número de clave/nota	STANDARD SET	BRUSH SET
E1 28	HIGH Q	←
	SLAP	←
F1 29	SCRATCH PUSH	←
G1 31	SCRATCH PULL	←
	STICKS	←
A1 33	SQUARE CLICK	←
	METRONOME CLICK	←
B1 35	METRONOME BELL	←
	STANDARD 1 KICK 2	BRUSH KICK 2
C2 36	STANDARD 1 KICK 1	BRUSH KICK 1
D2 38	SIDE STICK	BRUSH SIDE STICK
E2 40	STANDARD 1 SNARE 1	BRUSH TAP
	HAND CLAP 1	BRUSH SLAP
F2 41	STANDARD 1 SNARE 2	BRUSH SWIRL
	LOW TOM 2	←
G2 43	CLOSED HI-HAT	←
	LOW TOM 1	←
A2 45	PEDAL HI-HAT	←
	MID TOM 2	←
B2 47	OPEN HI-HAT	←
	MID TOM 1	←
C3 48	HIGH TOM 2	←
D3 50	CRASH CYMBAL 1	BRUSH CRASH CYMBAL 1
	HIGH TOM 1	←
E3 52	RIDE CYMBAL 1	BRUSH RIDE CYMBAL 1
	CHINESE CYMBAL	←
F3 53	RIDE BELL	BRUSH RIDE BELL
G3 55	TAMBOURINE 1	TAMBOURINE 2
	SPLASH CYMBAL	BRUSH SPLASH CYMBAL
A3 57	COWBELL	←
B3 59	CRASH CYMBAL 2	BRUSH CRASH CYMBAL 2
	VIBRA-SLAP	←
C4 60	RIDE CYMBAL 2	BRUSH RIDE CYMBAL 2
	HIGH BONGO	←
D4 62	LOW BONGO	←
E4 64	MUTE HIGH CONGA	←
	OPEN HIGH CONGA	←
F4 65	LOW CONGA	←
G4 67	HIGH TIMBALE	←
	LOW TIMBALE	←
A4 69	HIGH AGOGO	←
	LOW AGOGO	←
B4 71	CABASA	←
	MARACAS	←
C5 72	SHORT HI WHISTLE	←
	LONG LOW WHISTLE	←
D5 74	SHORT GUIRO	←
	LONG GUIRO	←
E5 76	CLAVES	←
	HIGH WOOD BLOCK	←
F5 77	LOW WOOD BLOCK	←
G5 79	MUTE CUICA	←
	OPEN CUICA	←
A5 81	MUTE TRIANGLE	←
	OPEN TRIANGLE	←
B5 83	SHAKER	←
	JINGLE BELL	←
C6 84	BELL TREE	←
	CASTANETS	←
D6 86	MUTE SURDO	←
	OPEN SURDO	←
E6 88	APPLAUSE	←
F6 89	APPLAUSE 2	←

NOTE

- “←” : indicates the same sound as STANDARD SET.

NOTA

- “←” : indica el mismo sonido que STANDARD SET.

Song List/Lista de canciones

No./Nº	Song Name/Nombre de canciones
01	Nocturne Op.9-2
02	Fantaisie-Impromptu Op.66
03	Étude Op.10-3 "Chanson de l'adieu"
04	Étude Op.10-5 "Black Keys"
05	Étude Op.10-12 "Revolutionary"
06	Étude Op.25-9 "Butterflies"
07	Prélude Op.28-7
08	Valse Op.64-1 "Petit Chien"
09	Valse Op.64-2
10	Moments Musicaux 3
11	Impromptu Op.90-2
12	Marche Militaire 1 (Duet)
13	Frühlingslied [Lieder Ohne Worte Heft 5]
14	Fröhlicher Landmann [Album für die Jugend]
15	Von fremden Ländern und Menschen [Kinderszenen]
16	Träumerei [Kinderszenen]
17	Tambourin
18	Menuet BWV Anh.114 [Clavierbüchlein der Anna Magdalena Bach]
19	Inventio 1 BWV 772
20	Inventio 8 BWV 779
21	Inventio 13 BWV 784
22	Praeludium 1 BWV 846 [Das Wohltemperierte Klavier 1]
23	Le Coucou
24	Gavotte
25	Sonatina Op.36-1 1st Mov.
26	Sonatine Op.20-1 1st Mov.
27	Sonate K.545 1st Mov.
28	Sonate K.331 3rd Mov. "Turkish March"
29	Rondo K.485
30	Für Elise
31	Marcia alla Turca
32	Sonate Op.13 "Pathétique" 1st Mov.
33	Sonate Op.13 "Pathétique" 2nd Mov.
34	Sonate Op.13 "Pathétique" 3rd Mov.
35	Sonate Op.27-2 "Moonlight" 1st Mov.
36	Rhapsodie 2
37	Waltz Op.39-15 (Duet)
38	Liebesträume 3
39	Blumenlied
40	La Prière d'une Vierge
41	Csikos Post
42	Humoresque Op.101-7
43	Melodie [Lyrische Stücke Heft 2]
44	Sicilienne Op.78
45	Berceuse [Dolly] (Duet)
46	Arabesque 1
47	La Fille aux Cheveux de Lin [Préludes]
48	Passepied [Suite bergamasque]
49	Gymnopédie 1
50	Je Te Veux
51	Salut d'Amour
52	The Entertainer
53	Maple Leaf Rag
54	L'arabesque [25 Étüden Op.100]
55	La Styrienne [25 Étüden Op.100]
56	Ave Maria [25 Étüden Op.100]
57	Le retour [25 Étüden Op.100]
58	La chevaleresque [25 Étüden Op.100]
59	No.13 [Études de Mécanisme Op.849]
60	No.26 [Études de Mécanisme Op.849]
61 - 70	User area songs/Canciones del área de usuario



This recycle mark indicates that the packaging conforms to the environmental protection legislation in Germany.

Esta marca de reciclaje indica que el empaquetado se ajusta a la legislación de protección ambiental en Alemania.

CASIO®

Free Manuals Download Website

<http://myh66.com>

<http://usermanuals.us>

<http://www.somanuals.com>

<http://www.4manuals.cc>

<http://www.manual-lib.com>

<http://www.404manual.com>

<http://www.luxmanual.com>

<http://aubethermostatmanual.com>

Golf course search by state

<http://golfingnear.com>

Email search by domain

<http://emailbydomain.com>

Auto manuals search

<http://auto.somanuals.com>

TV manuals search

<http://tv.somanuals.com>