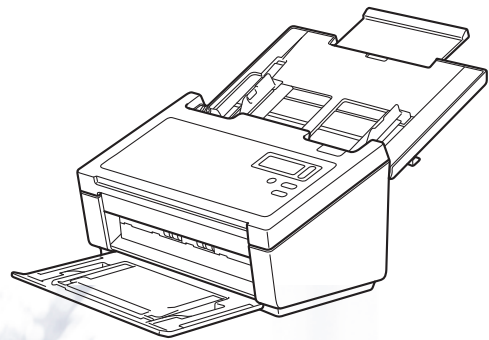


User's Guide

PDS-5000
PDS-6000



Using the documentation

Thank you for buying a Brother machine! Reading the documentation will help you make the most of your machine.

Symbols and conventions used in the documentation

The following symbols and conventions are used throughout the documentation.

CAUTION

CAUTION indicates a potentially hazardous situation which, if not avoided, may result in minor or moderate injuries.

IMPORTANT

IMPORTANT indicates a potentially hazardous situation which, if not avoided, may result in damage to property or loss of product functionality.

NOTE

Notes tell you how you should respond to a situation that may arise or give tips about how the operation works with other features.

Bold

Bold style identifies keys on the machine or computer screen.

Italics

Italicized style emphasizes an important point or refers you to a related topic.

NOTE

- For PDS-5000 users: This guide uses PDS-6000 screen images, unless otherwise indicated.
 - If you are using a tablet running Windows[®], you can make your selections either by tapping the screen or by clicking with your mouse.
-

Table of Contents

1	Scanning Software	1
	Choose your scanning software	1
2	General Information	2
	Scanner overview	2
	Control panel	3
	Control panel overview	3
	LED indications	4
	Scanner status messages	4
3	Document Information	5
	Acceptable documents	5
	Unacceptable documents	6
	Documents recommended for use with the Carrier Sheet	7
4	Scan Preparation	8
	Set up your scanner	8
	Load documents	9
	Loading documents	9
	Loading multiple differently-sized documents	11
	Load documents using the Carrier Sheet	13
	Loading documents wider than Letter/A4 size	15
5	Scan (Windows®)	17
	Scan using the control panel	17
	Assign a scanning application to the Scan button	17
	Scan a document	21
	Scan using your computer	22
	Scan with DS Capture	22
	Change scan settings using the TWAIN driver	24
	Functional overview	24
	DS Capture home screen	25
	Scanner Properties dialog box	27
	Image tab	28
	Compression tab	34
	Color Dropout tab	35
	Paper tab	37
	Multi-Feed Detection tab	41
	Preview tab	43
	Rotation tab	47
	Enhancement tab	49
	More Settings tab	53
	Digital Imprinter tab	55
	Information tab	59
	Scan using the ISIS driver	60

6	Scan (Macintosh)	61
	Scan using the control panel	61
	Assign a profile to the Scan button	61
	Scan a document	61
	Scan using your computer	62
	Scan with DS Capture	62
	Change scan settings using the TWAIN driver	63
	Functional overview	63
	DS Capture screen overview	64
	Profile tab	65
	Image tab	66
	File tab	72
	Color Dropout tab	74
	Paper tab	76
	Rotation tab	79
	Enhancement tab	81
	Setting tab	85
	Imprinter tab	86
	Information tab	90
7	Scanner Maintenance	91
	Clean the outside of your scanner	91
	Clean the inside of your scanner	92
	Replace parts	97
	Supply information	97
	Check replacement cycle	99
	Replace the Rollers	99
	Reset the usage counters	103
	Packing and shipping the machine	104
8	Troubleshooting	106
	Error and maintenance messages	106
	Document jam	109
	Multi-feed	111
	Troubleshooting	113
A	Appendix A	117
	Specifications	117
	General	117
	Scanner	119
	Interfaces	120
	Supported languages	120
	Computer requirements	121

B Appendix B

122

Contact Brother	122
Register your product	122
Frequently Asked Questions (FAQs)	122
For customer service	123
For Brother accessories & supplies	123
Technical support (for PageManager)	124

Choose your scanning software

After installing Brother's scanner drivers, select a scanning application for saving scanned images to your computer. Brother has supplied several options for you on Brother's installation DVD; use this table to help determine which of the included scanning applications will work best for you:

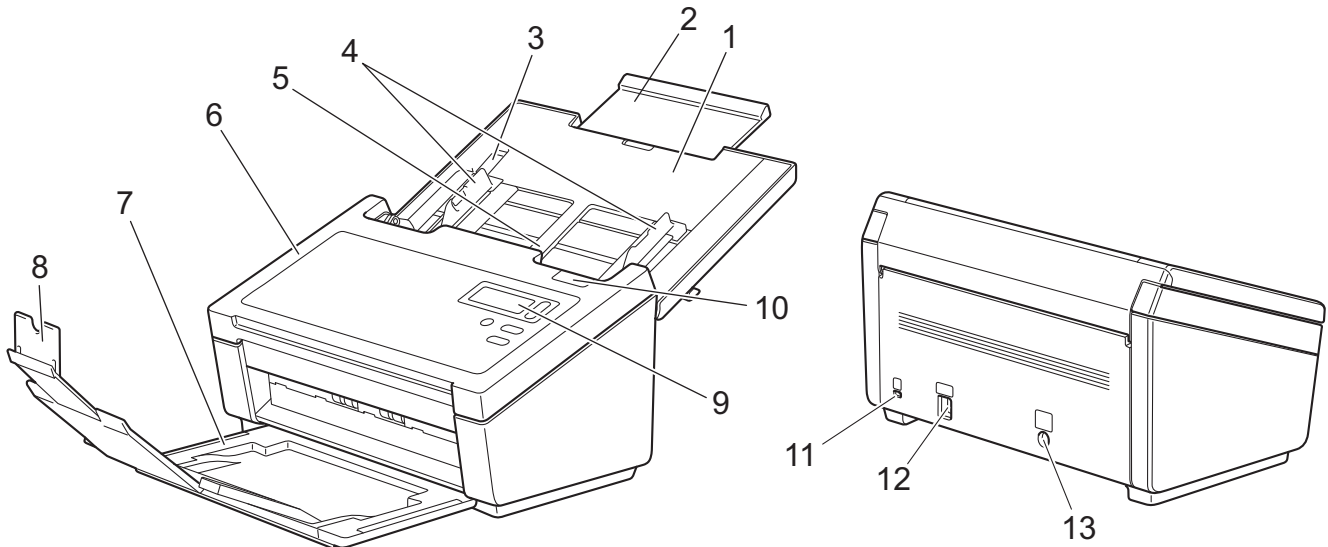
Software	Description	Where is it?	For more information
DS Capture (Windows®/Mac)	Brother's scanning application: it allows you to scan, browse and file your scanned documents. DS Capture is installed automatically when you install the scanner driver.	Windows®: DVD / Brother Solutions Center ¹ Mac: Brother Solutions Center ¹	For Windows®: See <i>Scan using your computer</i> on page 22. For Macintosh: See <i>Scan using your computer</i> on page 62 and <i>Scan using the control panel</i> on page 61).
Button Manager V2 (Windows®)	Use this application to extend the DS Capture's scanning functionality, and to create multiple types of scan button to perform one-touch scanning. If scanning with your computer, click the button to which the required scan settings have been assigned with the application. If scanning with your machine, select the menu to which the required scan settings have been assigned on the LCD screen, and then press the machine's Scan button. The following scan functions are supported: Scan to File / Scan to File (OCR) / Scan to App / E-mail / Printer / Shared Folder / FTP / SharePoint See the Button Manager Help menu for more information about using Button Manager V2.	DVD / Brother Solutions Center ¹	See the Button Manager V2 User's Guide. To scan using the Scan button on your machine's control panel, customize the Scan button in advance (see <i>Scan using the control panel</i> on page 17).
OmniPage SE 18 (Windows®)	OmniPage SE 18 is an OCR scanning application from Nuance.	DVD	See the software's user instructions.
QuickScan Pro (Windows®)	QuickScan Pro is a trial document capture scanning application from EMC.	DVD	See <i>Scan using the ISIS driver</i> on page 60.
PageManager 9 (Mac)	PageManager 9 is a scanning application from NewSoft.	Brother Solutions Center ¹	See the software's user instructions.

¹ Visit <http://support.brother.com>

NOTE

In addition to the above, you can also use your TWAIN (Windows®/Mac), WIA (Windows®), ISIS (Windows®) and ICA (Mac) compatible applications for scanning.

Scanner overview

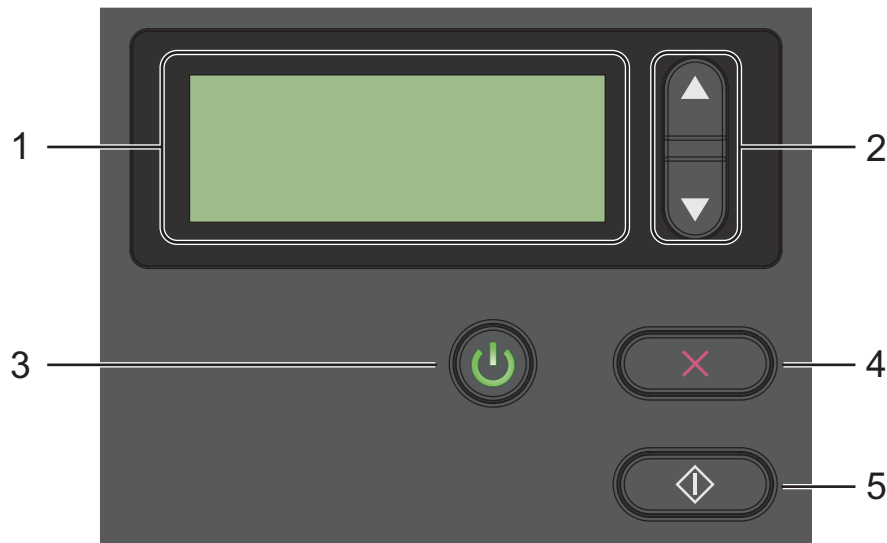


- 1 Top Cover
- 2 Cover Extension
- 3 Document Guide Stopper
- 4 Document Guides
- 5 Automatic Document Feeder (ADF)
- 6 ADF Cover
- 7 Output Tray
- 8 Document Stopper
- 9 Control Panel
- 10 Cover Release Lever
- 11 Kensington Security Slot
- 12 USB Connector
- 13 AC Power Connector

Control panel

This scanner has one Liquid Crystal Display (LCD), five buttons and one Light Emitting Diode (LED) on the control panel. The LCD is a 16 character two-line display.

Control panel overview



1 Liquid Crystal Display (LCD)

Displays messages to help you set up and use your scanner.

2 Function Selector (▲ or ▼)

Press to scroll through the function numbers.

For more information about the function numbers, see *Scan using the control panel* on page 17, step 4 and 5.

3 Power button (LED)

- Press to turn the scanner ON when the scanner is off or in Power Saving Mode.
- Press to enter Power Saving Mode when the scanner is ON.
- Press and hold down to turn the scanner OFF.

For more information about Power Saving Mode, see *Energy Saving Control* on page 54.

4 Cancel button

Press to stop scanning.

5 Scan button

Press to start scanning or to launch a scanning application.

LED indications

The LED indicates the scanner's status.

LED Indication	Meaning
No light	The scanner is OFF.
Green	The scanner is ON.
Blinking green	The scanner is initializing or in Power Saving Mode.
Blinking red	There is a problem with the scanner.

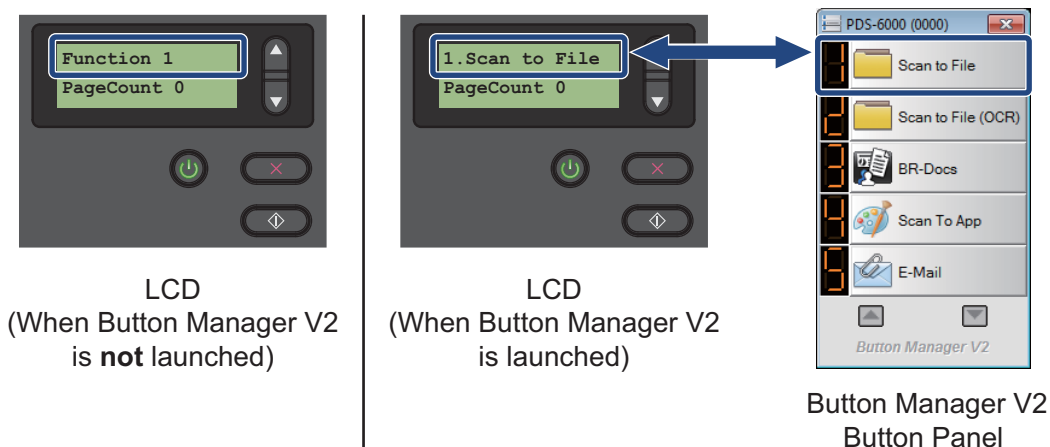
Scanner status messages

The following table explains the scanner's status messages during normal operation:

Scanner Status Message	Meaning
Function X	This shows the current selected function number.
PageCount XXXXX	The scanner is ready to scan. XXXXX is the document scan count.
Scanning XXXXX	The machine is scanning. XXXXX is the current document scan count.
Canceling	The scanner is canceling the current scan job.

NOTE

When Button Manager is running on your computer, *Function X* changes to a Button Manager function number and name. For more information, see the *Button Manager V2 User's Guide*. See your model's Manuals page on the Brother Solutions Center at <http://support.brother.com> to download the *Button Manager V2 User's Guide*.



Acceptable documents

Standard Paper	Length	54 to 356 mm	
	Width	51 to 218 mm	
	Weight	28 to 400 g/m ² To scan thinner documents, use the Carrier Sheet (see <i>Load documents using the Carrier Sheet</i> on page 13).	
	Maximum Number of Pages	100 sheets (with 28 to 80 g/m ² paper) 90 sheets (with 105 g/m ² paper) 60 sheets (with 127 g/m ² paper) 50 sheets (with 200 g/m ² paper) 15 sheets (with 400 g/m ² paper) 15 sheets (Business Card)	
	Standard Paper Size	A4 A5 A6 A7 B5 B6 B7 Legal Letter	210 × 297 mm 148 × 210 mm 105 × 148 mm 74 × 105 mm 182 × 257 mm 128 × 182 mm 91 × 128 mm 215.9 × 355.6 mm 215.9 × 279.4 mm

Long Paper	Maximum Length	5,994 mm ¹	
	Width	51 to 218 mm	
	Weight	28 to 400 g/m ² To scan thinner documents, use the Carrier Sheet (see <i>Load documents using the Carrier Sheet</i> on page 13).	
	Maximum Number of Pages	1 page (1 sheet)	

¹ If scanning at 200 dpi

Plastic Cards	Length	70 to 95 mm
	Width	51 to 55 mm
	Standard Size (ISO)	85.6 × 54.0 × 0.76 mm
	Material	Plastic (PET)
	Type	Plastic card such as a driver's license or an insurance card
	Thickness (ISO)	Less than 0.76 mm Up to 1.25 mm (with Embossed)
	Maximum Number of Pages	1 page (1 sheet)

Unacceptable documents

- Documents with paper clips or staples
- Documents with wet ink
- Fabrics, metallic sheets, overhead projector sheets
- Glossy or mirrored media
- Embossed plastic cards
- Documents that exceed recommended thicknesses

Documents recommended for use with the Carrier Sheet

NOTE

The Carrier Sheet is an optional item. To purchase a Carrier Sheet, see *For Brother accessories & supplies* on page 123.

Use the optional Carrier Sheet when you scan the following:

- Plastic cards
- Documents with a carbon sheet attached
- Documents written in pencil
- Documents narrower than 50 mm wide
- Documents shorter than 54 mm long
- Documents of uneven thickness, such as envelopes
- Documents with large wrinkles or curls
- Bent or damaged documents
- Documents that use tracing paper
- Documents that use coated paper
- Photographs (photographic paper)
- Documents printed on perforated paper
- Documents printed on unusually-shaped paper (not square or rectangular)
- Documents with photos, notes, or stickers affixed to them
- Documents that use carbonless paper
- Documents that use loose-leaf paper or any paper with holes in it
- Photographic negatives
- Receipts

For more information about using the Carrier Sheet, see *Load documents using the Carrier Sheet* on page 13.

CAUTION

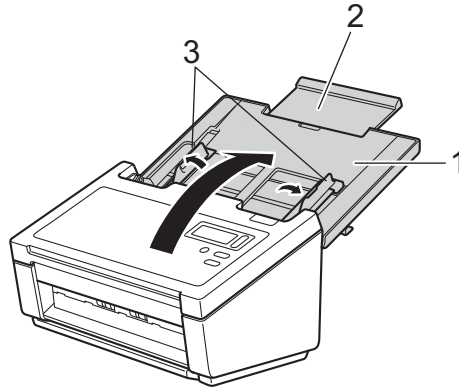
To avoid cutting yourself, do not slide or scrape your hand or fingers along the edges of the Carrier Sheet.

4

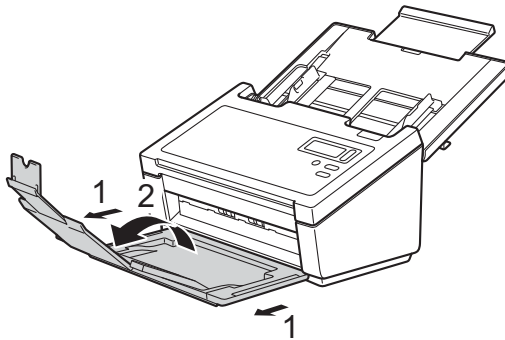
Scan Preparation

Set up your scanner

- 1 Open the Top Cover (1), pull the Cover Extension (2) out and then unfold the Document Guides (3).



- 2 Pull the Output Tray (1) out of the machine and then unfold the Document Stopper (2).



Load documents

IMPORTANT

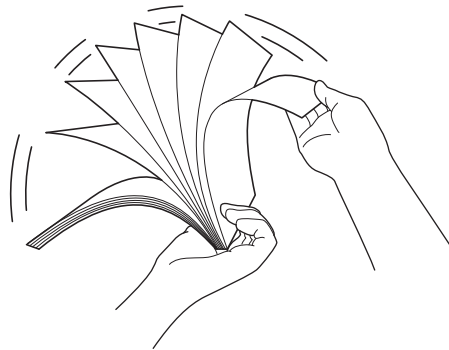
- The ADF can hold up to 100 pages and feeds each sheet individually. Use 80 g/m² paper and always fan the pages before placing them in the ADF.
- DO NOT pull on the document while it is feeding.
- DO NOT use paper that is curled, wrinkled, folded, ripped, stapled, paper-clipped, pasted, or taped.
- DO NOT try to scan cardboard or fabric.

NOTE

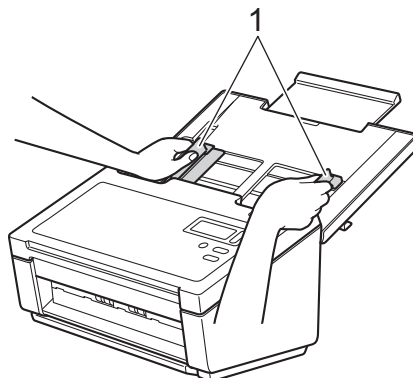
- Make sure documents that have ink or correction fluid on them are completely dry.
- Certain types of plastic cards may be scratched when scanned. To prevent damage to the card, we recommend using the Carrier Sheet.
- If misfeeds frequently occur when you scan thin sheets, reduce the number of documents held in the ADF, and then start scanning again.

Loading documents

- 1 Fan the pages several times along both the long edge and the short edge.

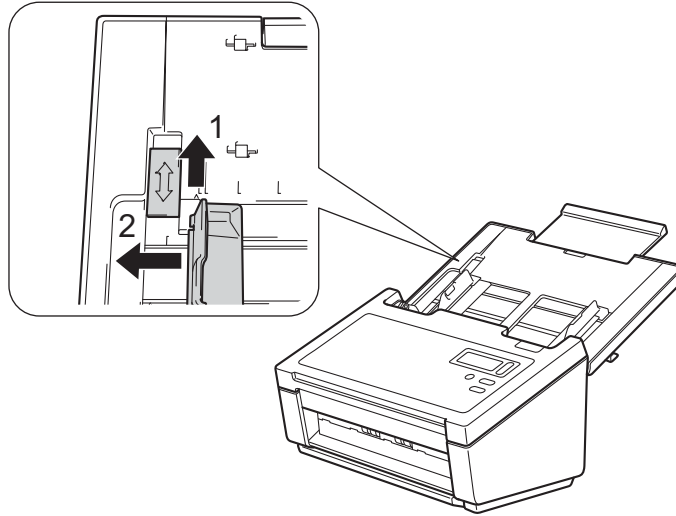


- 2 Adjust the Document Guides (1) to fit the width of your document.

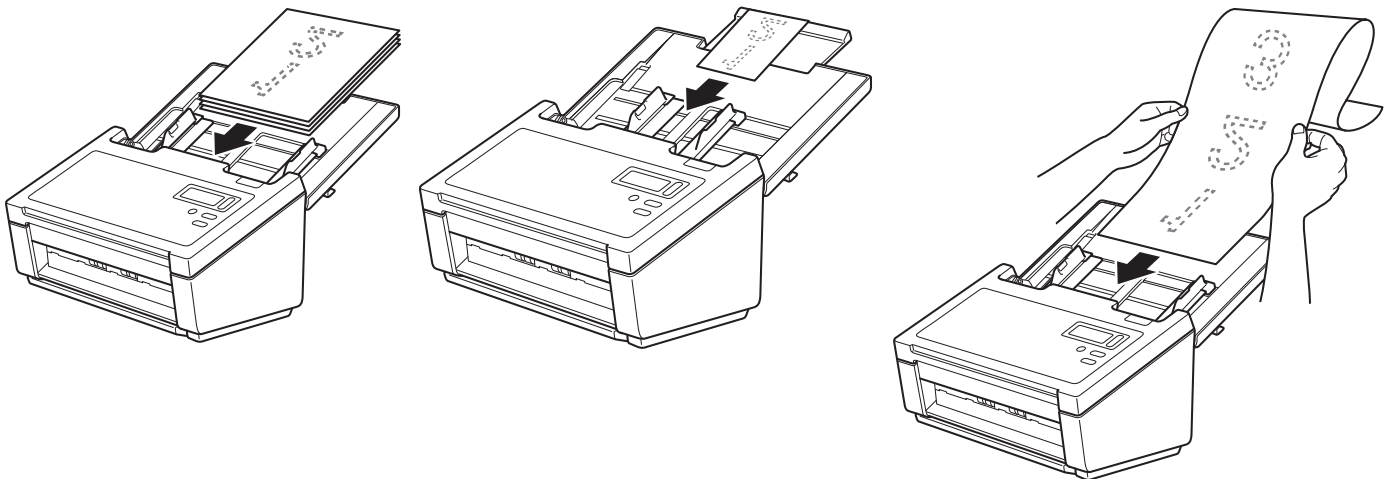


NOTE

Slide up the Document Guide Stopper (1) and extend the Document Guide (2) when you set the documents with punch holes such as continuous form paper.



- 3 Set your document, **face down, top edge first** in the ADF between the Guides until you feel it touch the inside of the machine.
 - For plastic cards: Set your document, **face down** and **short side first** in the ADF between the Guides until you feel it touch the inside of the scanner. Load only one plastic card at a time.
 - For documents longer than Letter/A4 size: Support the document with your hand if the document is longer than the Top Cover. Load only one document at a time.



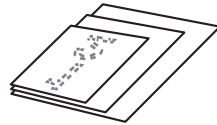
Loading multiple differently-sized documents

To scan multiple pages that are different sizes, follow these steps:

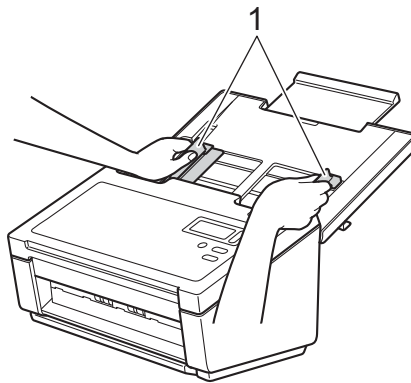
NOTE

Make sure that the narrowest document is wide enough to touch the ADF's feed rollers, to avoid a document jam.

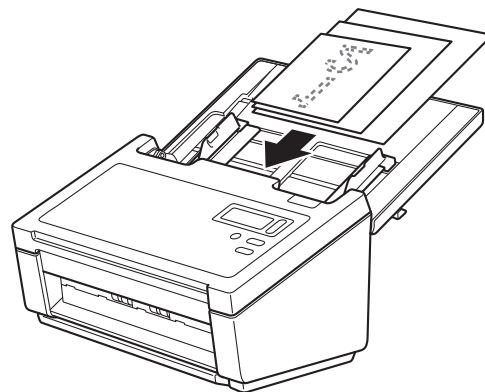
- 1 Stack the documents on top of each other, making sure that the top edge and the left side of each document is aligned.



- 2 Adjust the Document Guides (1) to fit the width of the largest document.



- 3 Set the documents, **face down, top edge first** in the ADF between the Guides until you feel it touch the inside of the machine.



Combinations of multiple different-sized documents

Maximum size		LTR (P) Carrier Sheet	A4 (P) A5 (L)	B5 (P) B6 (L)	A5 (P) A6 (L)	B6 (P) B7 (L)	A6 (P) A7 (L)	B7 (P) B8 (L)	A7 (P) A8 (L)	B8 (P)	A8 (P)
Width (mm) (*1)		216	210	182	149	129	105	91	74.3	64.3	52.5
Minimum size	LTR (P) Carrier Sheet	216									
	A4 (P) A5 (L)	210									
	B5 (P) B6 (L)	182	Available range								
	A5 (P) A6 (L)	149									
	B6 (P) B7 (L)	129									
	A6 (P) A7 (L)	105									
	B7 (P) B8 (L)	91									
	A7 (P) A8 (L)	74.3									
	B8 (P)	64.3									
	A8 (P)	52.5									

LTR: Letter size

(P): Portrait

(L): Landscape

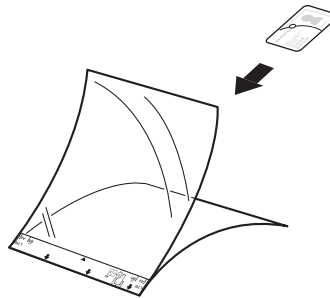
Load documents using the Carrier Sheet

The Carrier Sheet is an optional item that you can use with your scanner. To purchase a Carrier Sheet, see *For Brother accessories & supplies* on page 123.

IMPORTANT

- Do not write on the Carrier Sheet, as the writing may be seen in scanned documents. If the Carrier Sheet becomes dirty, wipe it with a dry cloth.
- Do not leave documents in the Carrier Sheet for extended periods of time, as the printing on the documents may bleed through onto the Carrier Sheet.
- Do not place the Carrier Sheet in direct sunlight or in an area subject to high temperatures and high humidity, as the Carrier Sheet may warp.
- Do not place large or heavy objects on the Carrier Sheet when it is lying flat.
- Do not bend or pull the Carrier Sheet. If it becomes damaged, it may not be acceptable for scanning, and should not be used.
- Do not scan multiple Carrier Sheets in a row.

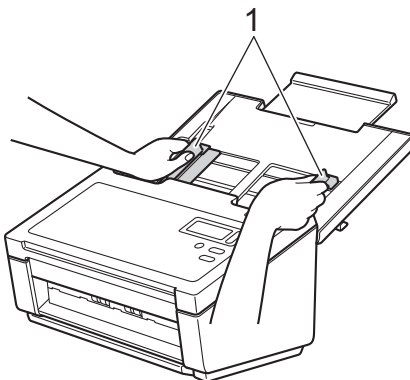
-
- 1 Insert the document into the Carrier Sheet.



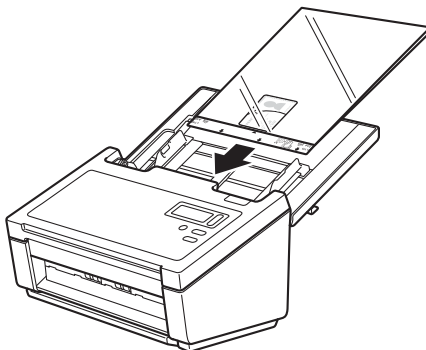
NOTE

- Set the document in the center of the Carrier Sheet and align the top of the document with the top of the Carrier Sheet.
 - To avoid document jams, do not put several small documents into the Carrier Sheet at the same time. Insert only one document into the Carrier Sheet at a time.
-

- 2 Adjust the Document Guides (1) to fit the width of the Carrier Sheet.



- 3 Set the Carrier Sheet in the ADF between the Guides until you feel it touch the inside of the machine.



NOTE

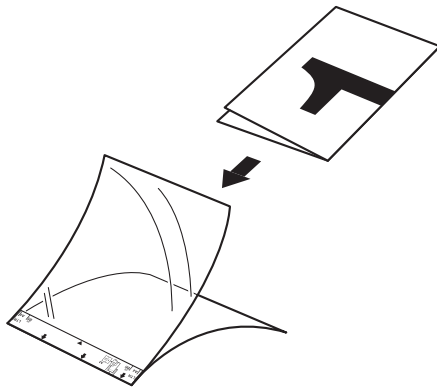
To avoid document jams, do not load the Carrier Sheet upside down.

Loading documents wider than Letter/A4 size

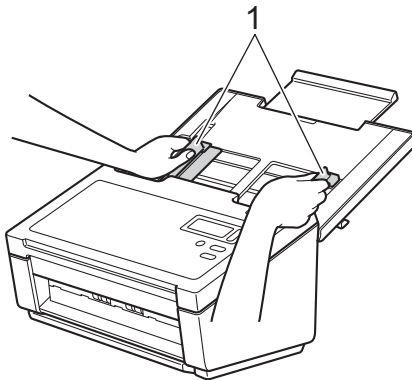
You can scan documents that are wider than Letter/A4 size by using the Carrier Sheet.

Before scanning, see *Load documents using the Carrier Sheet* on page 13 for basic usage instructions and notes about the Carrier Sheet.

- 1 For best results, carefully fold your document in half, making sure all the corners are even, and then insert the document into the Carrier Sheet.



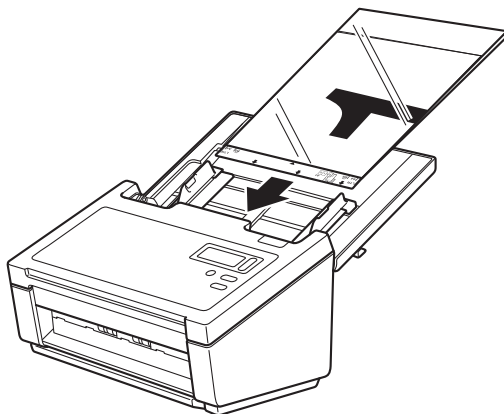
- 2 Adjust the Document Guides (1) to fit the width of the Carrier Sheet.




- 3 Set the Carrier Sheet in the ADF between the Guides until you feel it touch the inside of the machine.

NOTE



To reduce the white space in the center of a scanned page, be sure to position the folded edge of the original document closer to the right edge of the Carrier Sheet.



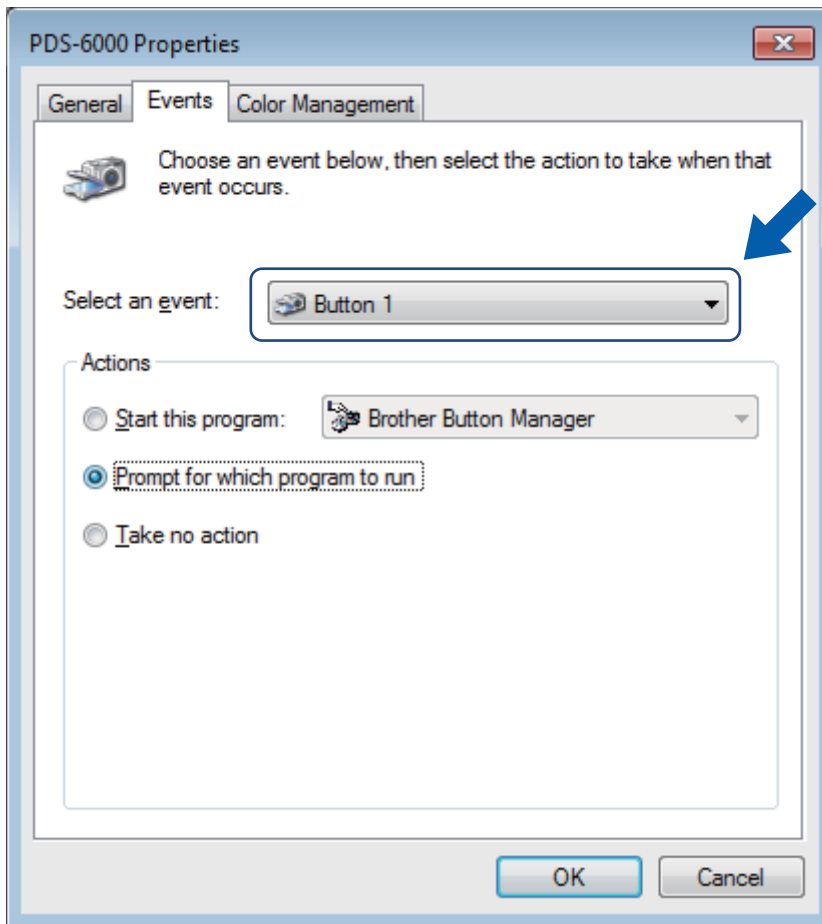
Scan using the control panel


Customize the  Scan button on your Brother machine's control panel to scan using your preferred scanning software.

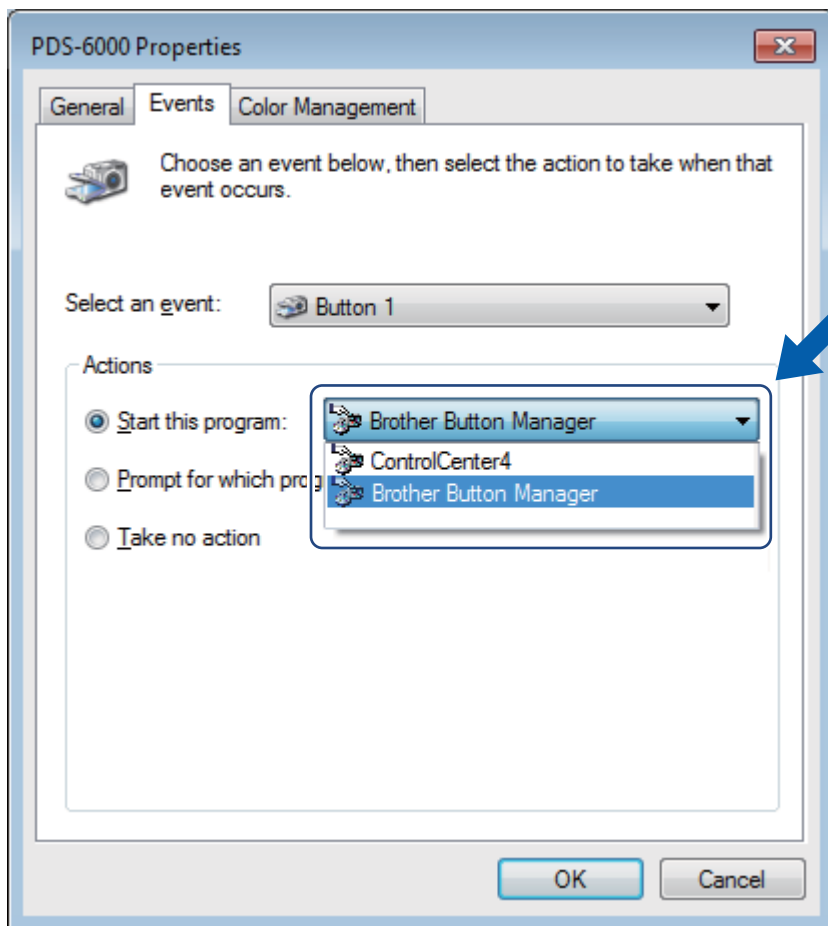
Assign a scanning application to the Scan button

- 1 Confirm that the machine is connected to your computer via a USB cable.
- 2 Access the machine from your computer using one of the following:
 - (For Windows® 8/8.1)
Move your mouse to the lower right corner of your desktop. When the menu bar appears, click **Settings > Control Panel**. In the **Hardware and Sound** group, click **View devices and printers**.
 - (For Windows® 7)
Click  (**Start**) > **Devices and Printers**.
 - (For Windows Vista®)
Click  (**Start**) > **Control Panel > Scanners and Cameras > Printers**.
 - (For Windows® XP)
Click **Start > Control Panel > Scanners and Cameras**.
- 3 Right-click the scanner icon, and select **Scan properties** from the menu.
For Windows Vista®, select the machine and click **Properties**.


- 4 Click the **Events** tab, and then select an event number from the **Select an event** drop-down list. The **Button #** you select from this list directly corresponds with the function numbers (Function X) displayed on the machine's LCD.



- 5 Select **Start this program** from **Actions**, and then select the scanning application you want to launch when you press the  Scan button on your machine's control panel.

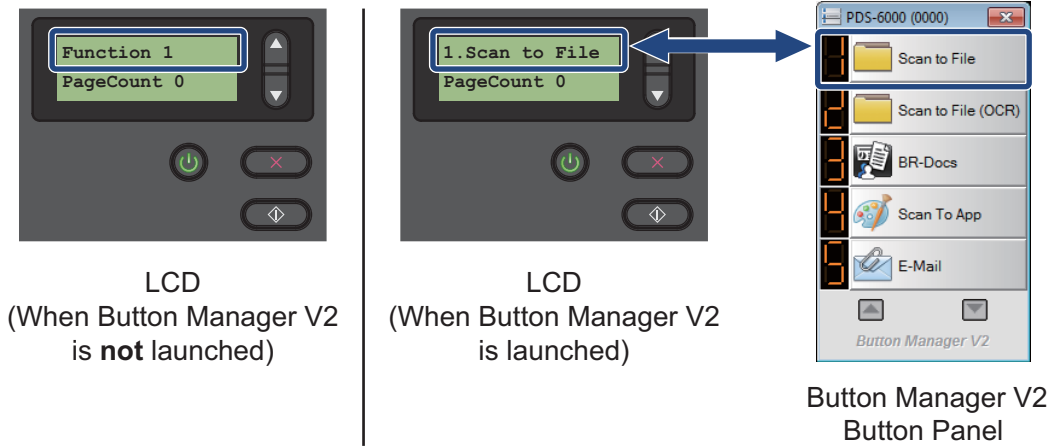


- 6 Click **OK**.

- 7 Select the function number you assigned the scanning application on the machine's LCD, then push the  **Scan** button on your machine. The assigned application will launch.

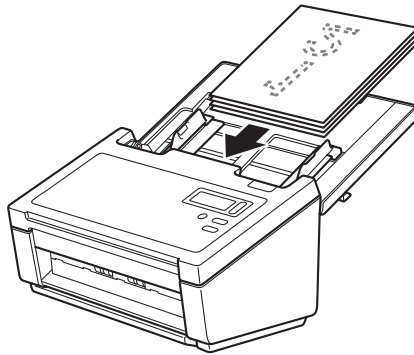
NOTE

When you use Button Manager V2 application, you can synchronize the machine's LCD and application's function names by assigning **Brother Button Manager** to all the **Button #** in the **Select an event** drop-down list. For more information, see the *Button Manager V2 User's Guide*.



Scan a document

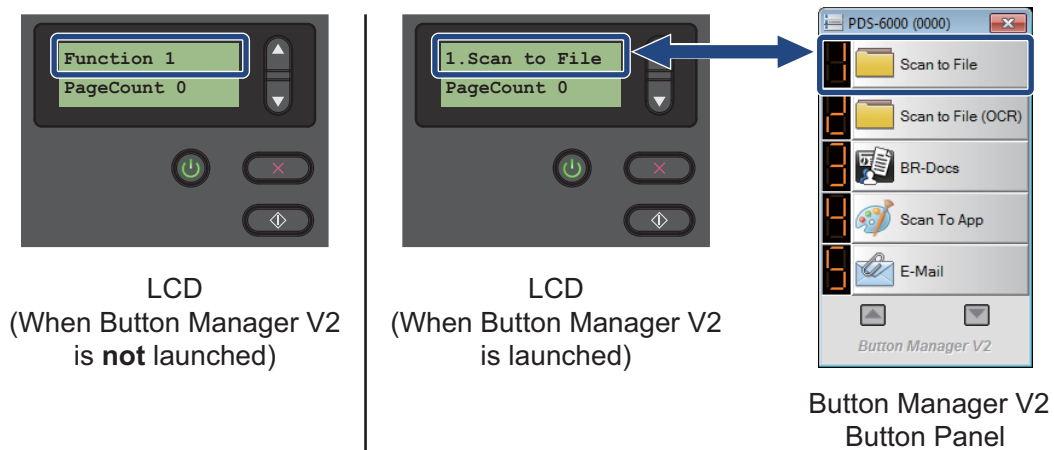
- 1 Confirm that the machine is connected to your computer via a USB cable.
- 2 Set your document in the ADF.





- 3 Press ▲ or ▼ to select a Function.

NOTE

When Brother's Button Manager is running on your computer, the machine's LCD displays a Button Manager function number and name. For more information, see the *Button Manager V2 User's Guide*.




- 4 Press  to launch the scanning application.
- 5 Press  again to begin scanning.


Scan using your computer

To scan using your computer, launch a TWAIN-compatible application on your computer, such as DS Capture or Adobe® PhotoShop®. This guide uses DS Capture as an example.

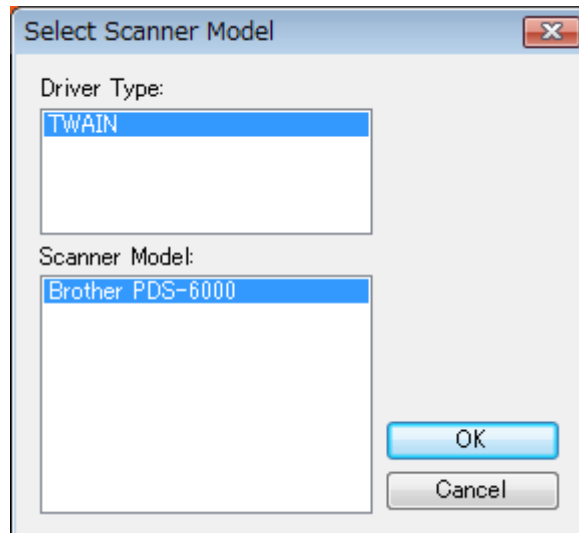
Scan with DS Capture

- 1 Confirm that the machine is connected to your computer via a USB cable.
- 2 Double-click the **DS Capture** icon  on your desktop.

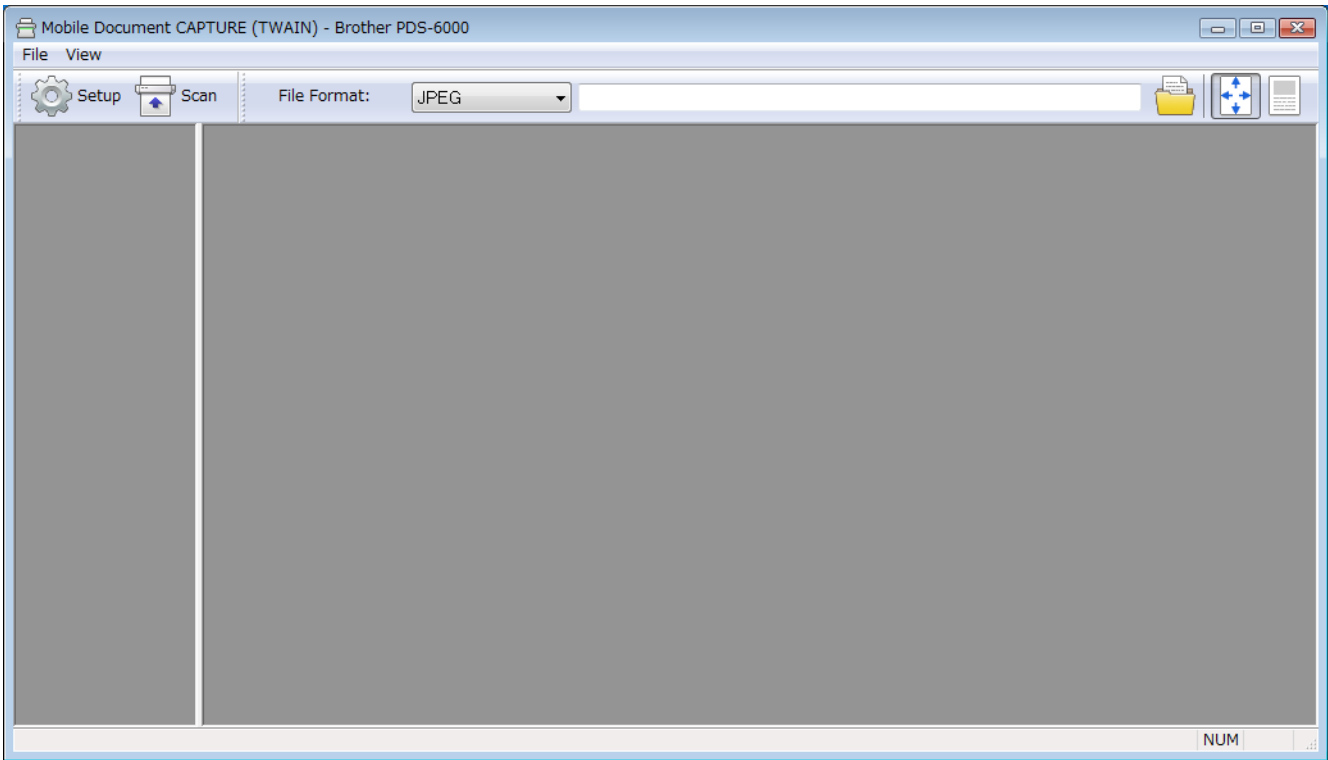
NOTE

If the **DS Capture** icon  is not visible on your desktop, click **Start > All Programs > Brother PDS-XXXX Scanner** (where XXXX is your model name) > **DS Capture**.

- 3 The **Select Scanner Model** dialog box appears.
Under **Scanner Model**, select your PDS scanner model, and then click **OK**.




4 **DS Capture** launches.



5 Click **Setup** to change the scan settings, if needed.
For more information on changing settings, see *Change scan settings using the TWAIN driver* on page 24.

6 Set your document in the ADF.

7 Click **Scan** . Your scanner starts scanning.

A thumbnail of the scanned image appears in the DS Capture screen and the scanned image will be saved in the directory you specified in the Path field. For more information, see *DS Capture home screen* on page 25.

Check the scan result to confirm that all settings are correct.

Change scan settings using the TWAIN driver

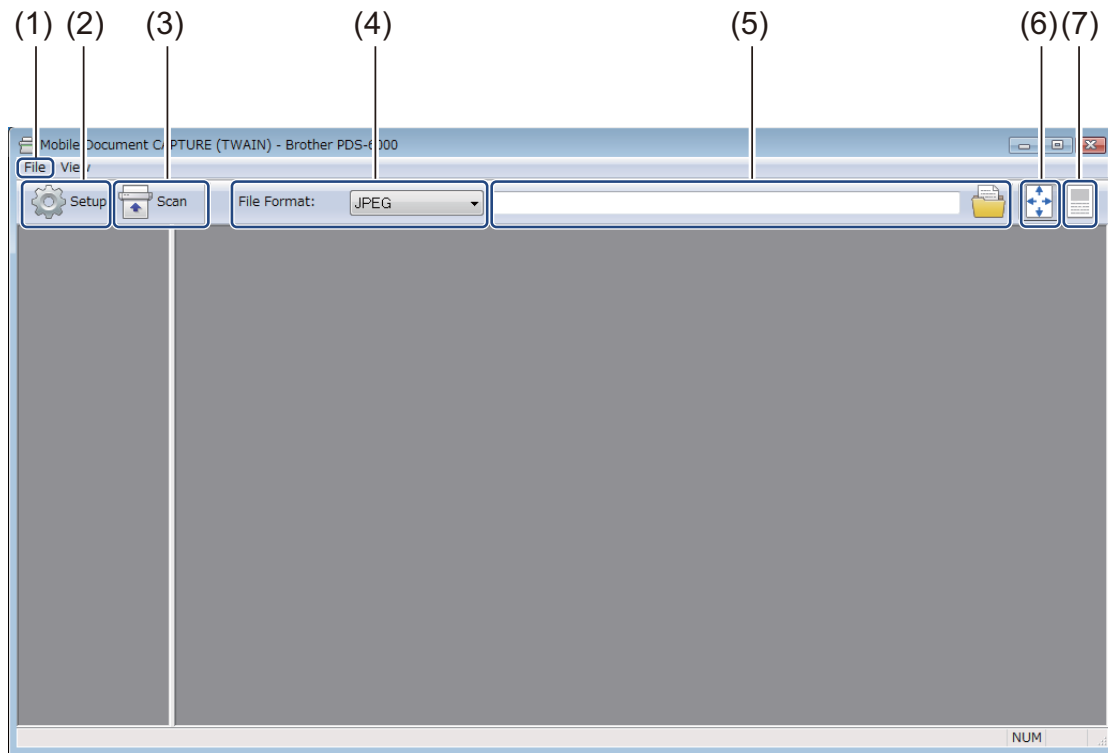
The TWAIN driver provides various settings and useful functions that you can use when scanning, as listed in the overview table below.

In this guide, we use the DS Capture application in our examples. Instructions for other scanning software will be similar.

Functional overview

Category	Function	Reference
Basic settings	Specify the image type (color) and scan	<i>Image tab on page 28</i>
	Automatically identify the document color and scan	<i>Image tab on page 28</i>
	Specify the document size and scan	<i>Paper tab on page 37</i>
	Automatically identify the document size and scan	<i>Paper tab on page 37</i>
	Specify the resolution and scan	<i>Image tab on page 28</i>
Image processing	Remove the specified color and scan	<i>Color Dropout tab on page 35</i>
	Rotate the document	<i>Rotation tab on page 47</i>
	Detect and remove the blank page	<i>Enhancement tab on page 49</i>
	Remove punch holes of scanned documents	<i>Enhancement tab on page 49</i>
	Automatically compensate the document tilt	<i>Paper tab on page 37</i>
	Remove the document base color	<i>Enhancement tab on page 49</i>
	Clean up paper edge of border with white or black result	<i>Enhancement tab on page 49</i>
	Remove small defects due to dust, or scratches, on a scanned image	<i>Enhancement tab on page 49</i>
Efficient scanning	See preview and check scan settings	<i>Preview tab on page 43</i>
	Save your scanner properties	<i>Image tab on page 28</i>
	Acquire multiple color type scan results with a single scan	<i>Image tab on page 28</i>
	Specify the computer memory used when scanning	<i>More Settings tab on page 53</i>
	Perform consecutive document scanning	<i>Paper tab on page 37</i>
Advanced functions	Scan a barcode to read information	<i>Enhancement tab on page 49</i>
	Add a character string to the scan result	<i>Digital Imprinter tab on page 55</i>
	Divide a 1 page document into 2 pages	<i>Rotation tab on page 47</i>
	Scan a document larger than Letter/A4 size	<i>Image tab on page 28</i>
Machine settings	Specify multi-feed detection settings	<i>Multi-Feed Detection tab on page 41</i>
	Check and reset the scan count	<i>Information tab on page 59</i>
	Change the Power Saving Mode and Power Off time settings	<i>More Settings tab on page 53</i>
System information	Check the scanner and computer system information	<i>Information tab on page 59</i>


DS Capture home screen

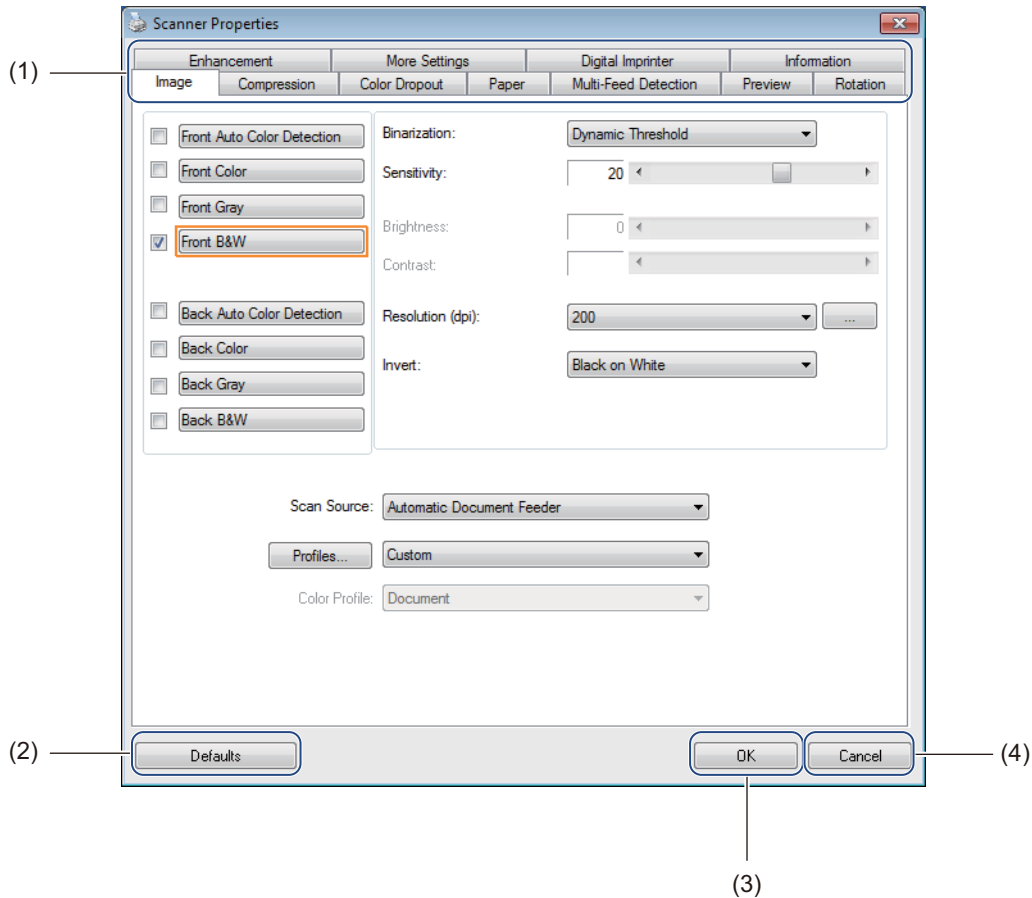


No.	Name	Description	Default
(1)	Fast scan mode / Fast display mode (select from the File menu)	<p>Switch the scan mode if needed.</p> <ul style="list-style-type: none"> ■ Fast scan mode <p>Fast scan mode gives priority to scanning speed. Thumbnails are displayed after scanning is complete.</p> <ul style="list-style-type: none"> ■ Fast display mode <p>In Fast display mode, thumbnails are displayed in real-time.</p> <p>NOTE</p> <p>When you select Fast display mode, scanning speed may be slower, depending on your computer.</p>	Fast scan mode
	Debug (select from the File menu)	<p>Set the debug value between 0 and 9.</p> <p>NOTE</p> <p>Debug is a developer's function. Users should not need to change this setting.</p>	0
(2)	Setup	Change scanner properties. For more information, see <i>Scanner Properties dialog box</i> on page 27.	-
(3)	Scan	Click this button to scan.	-

No.	Name	Description	Default
(4)	File Format	<p>Change the file format. Select the format you want from the drop-down list.</p> <p>NOTE</p> <p>To save multiple documents as one file, select Multi-page PDF (MPDF) or Multi-page TIFF (MTIFF) from the drop-down list.</p>	JPEG
(5)	Path	Specify the directory where you want to save scanned images.	My Documents\My Scan\
(6)	Fit Page	<p>View and size the scanned image.</p> <p>You cannot use Fit Page when PDF or Multi-page PDF is chosen in File Format.</p>	(selected)
(7)	Actual Size (100%)	<p>View the scanned image in Actual Size (100%).</p> <p>You cannot use Actual Size (100%) when PDF or Multi-page PDF is chosen in File Format.</p>	(not selected)

Scanner Properties dialog box

Click **Setup**  on the DS Capture home screen to display the **Scanner Properties** dialog box. Use the **Scanner Properties** tabs to configure the scanner's settings.



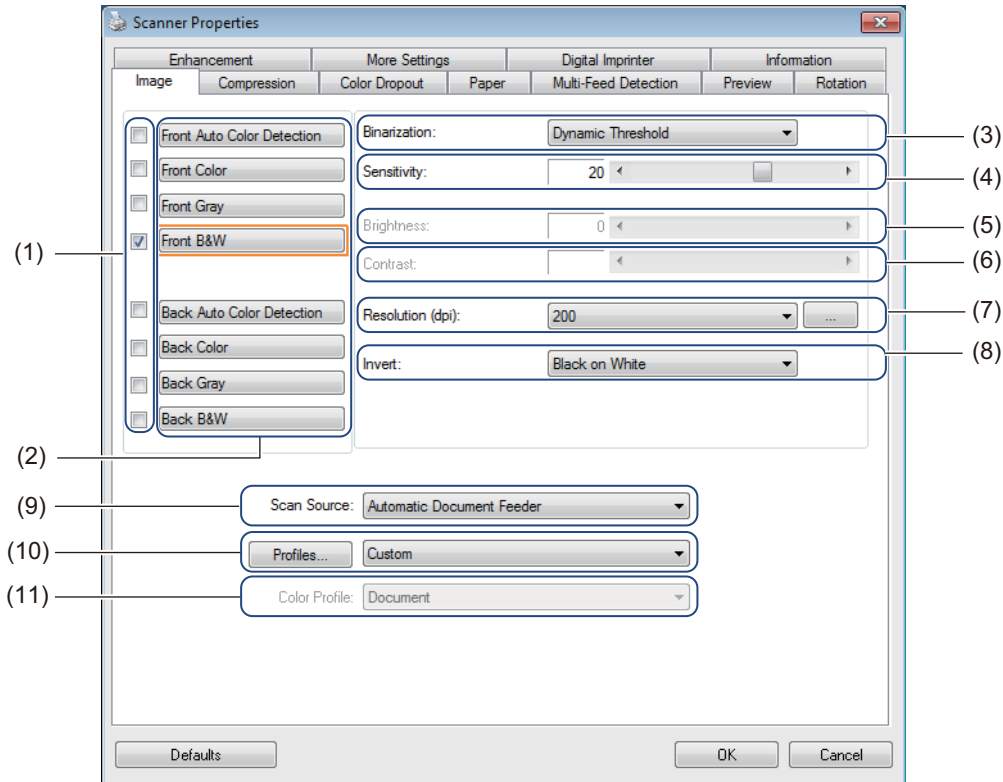
No.	Name	Description
(1)	Tabs	Image, Compression, Color Dropout, Paper, Multi-Feed Detection, Preview, Rotation, Enhancement, More Settings, Digital Imprinter, Information
(2)	Defaults	Click Defaults to reset all settings in all tabs to the original factory settings.
(3)	OK	Click OK to save the settings and close the Scanner Properties dialog box.
(4)	Cancel	Click Cancel to close the Scanner Properties dialog box without saving changes.

NOTE

All settings in the **Image** tab (except for the **Resolution**), the **Compression** tab, the **Color Dropout** tab, and the **Preview** tabs can be set individually for the front and back of any double-sided document you scan.

Image tab

Click the **Image** tab to set basic scan settings, to assign values for the front or back of your document and to specify the image type.



No.	Name	Description	Default
(1)	Image Selection check boxes	Select the check box(es) to specify the type of scan for the front (and back) of your document.	Front B&W
(2)	Image Selection group	Customize the settings for the front and back sides of your document.	Front B&W
(3)	Binarization / Document Type / Non-Color Selection	Select a proper image processing mode. This field name changes based on your choice in the Image Selection group.	Dynamic Threshold / Document / Black and White
(4)	Sensitivity / Threshold	Change sensitivity/threshold value.	-
(5)	Brightness	Change brightness.	0
(6)	Contrast	Change contrast.	0
(7)	Resolution (dpi)	Select resolution.	200
(8)	Invert	Reverse the brightness and the colors in the image.	Black on White
(9)	Scan Source options	Select a scan source.	Automatic Document Feeder (ADF)
(10)	Profiles	Create or change scan profiles for frequently-used scan settings.	Custom
(11)	Color Profile	Ensure accurate colors when scanning.	Document

Image Selection check boxes

Select the check boxes to customize the scan type. The Image Selection check box(es) are used to select the color mode with which the front or back of your document will be scanned. For example, to scan both the front and back of a color document page in color, select the **Front Color** and **Back Color** check boxes. For a black and white scan of the front and a color scan of the back, select **Front B&W** and **Back Color**.

NOTE

- Select more than one image type check box to generate multiple scan results from a single scan. For example, if you select **Front Color** and **Front Gray**, and then scan your document, scan data in both color and gray is saved.
- If you select **Front Auto Color Detection**, you must select **Back Auto Color Detection** as a back image type, and vice versa. These two options work only with each other.

Image Selection group

The **Image Selection group** lets you configure detailed settings used when scanning in each color mode. Select an image type and customize detail settings. You can apply different settings to each image type.

Image Type	Description
Color	Select Color if your original is in color and you want an exact copy.
Gray	Select Gray if your original contains shades of gray.
B&W	Select B&W if your original is typed, written in pencil, or written in pen.
Auto Color Detection	Select Auto Color Detection to automatically detect and scan the front or back of your color document. If your document is in color, the scanner will automatically scan the document as a color image. If your document is not in color, choose either Black and White or Gray from the Non-Color Selection drop-down list. Use this option if your document is multi-page and includes both color and black and white.

Binarization / Document Type / Non-Color Selection

This field name changes based on your choice in the **Image Selection group**.

■ Binarization (B&W mode only)

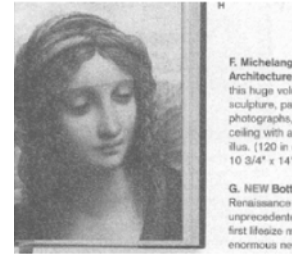
Binarization is the process of converting a grayscale or color image into a black and white image. There are several methods of performing this conversion.

Conversion Methods	Description
Dynamic Threshold	Select Dynamic Threshold to allow the scanner to dynamically evaluate each document to produce the highest quality image. Select this option to scan documents containing faint text, shaded background, or color background. If you select Dynamic Threshold: Threshold, Brightness, and Contrast are not available.
Fixed Processing	Select Fixed Processing for black and white and other high-contrast documents. A single level is set to determine the black and white transition. The threshold is programmable over the entire density range. If you select Fixed Processing, Contrast is not available.
Halftone 1-5	Select Halftone to view a gray image composed of different-sized dots. In other machines, this is sometimes called "Grayscale".

Conversion Methods	Description
Error Diffusion	Select Error Diffusion for a type of Halftone. Error Diffusion results in good image texture and makes text in images more legible than Halftone 1-5 , above.



Halftone



Diffusion

■ **Document Type (Gray mode only)**

When you select **Gray** as the image type for your scanned document, you can choose from three document types.

Document Type	Description
Document	Select Document if your original contains only text or a mixture of text and graphics. This is the optimal setting for regular business documents.
Photo	Select Photo if your original contains a photograph, to reproduce it in a vivid grayscale image.
Normal	Select Normal to adjust Brightness and Contrast manually.



Document
(Threshold: 230)



Photo



Normal

■ **Non-Color Selection (Auto Color Detection mode only)**

If your document is non-color, you can choose the output to be either **Black and White** or **Gray**. This option is useful when you scan a combination of color and non-color documents.

Sensitivity / Threshold

■ Sensitivity (available when you select **Dynamic Threshold** or **Auto Color Detection**)

Sensitivity of Dynamic Threshold:

If your document contains small dots or speckles and you want to remove them, increase the sensitivity value by moving the bar to the right.

Sensitivity of Auto Color Detection:

If your document contains primarily black and white text with a small amount of light or pale color that you do not want to be recognized as color, reduce the sensitivity value by moving the bar to the left.

■ Threshold (available when you select **Fixed Processing** or **Document**)

A low threshold value produces a lighter image, and can be used to subdue backgrounds and unneeded information. A high threshold value produces a darker image, and can be used to help faint images stand out.

Brightness


Use the **Brightness** bar to lighten or darken an image. The greater the value, the clearer the image.

Contrast

Use the **Contrast** bar to adjust the range between the darkest and the lightest shades in the image. The greater the value, the greater the difference between light and dark.

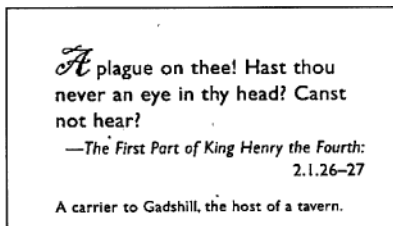
Resolution (dpi)

Select a resolution value from the drop-down list. The greater the value, the higher the resolution, and larger the file size.

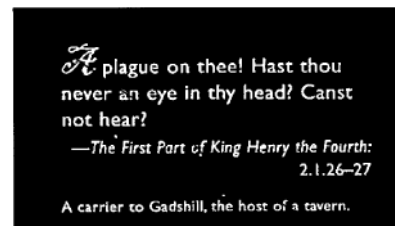
You can set a custom resolution value by clicking the  button to the right of the drop-down list.

Invert

Use **Invert** to reverse the brightness and the colors in the image. The default setting is **Black on White** background. To reverse this, select **White on Black**.



Black on White



White on Black

Scan Source

■ Automatic Document Feeder (ADF)

Use the ADF to scan multiple pages.

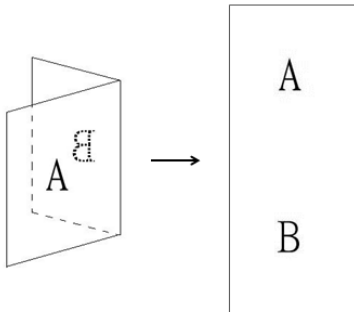
■ 2 in 1

Use **2 in 1** to scan documents wider than Letter/A4 size. The machine scans both sides of the folded document, and merges the images onto a single page.

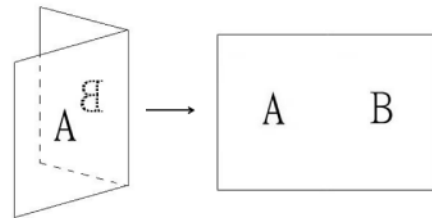
- **Merge Vertically** check box

Select this check box to align both sides horizontally.

Clear this check box to align both sides vertically.



Select **Merge Vertically**



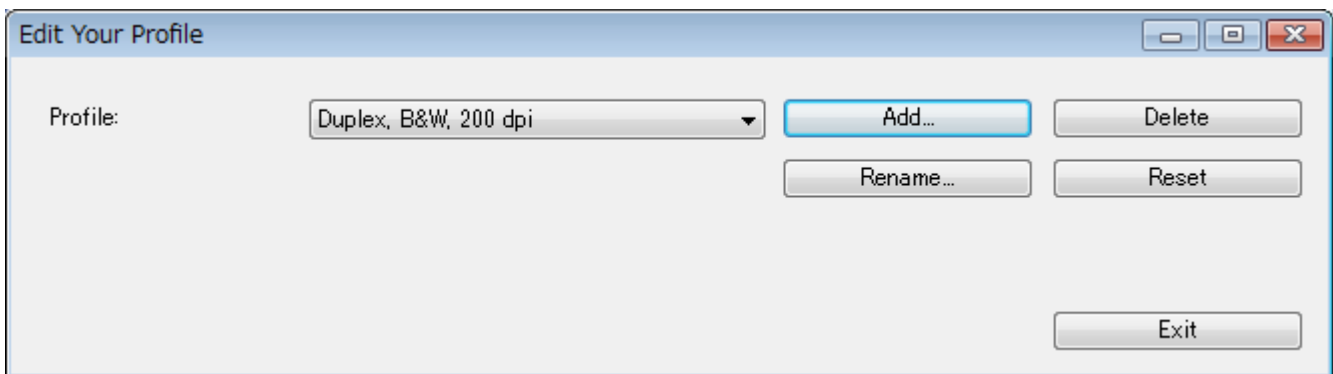
Clear **Merge Vertically**

Profiles

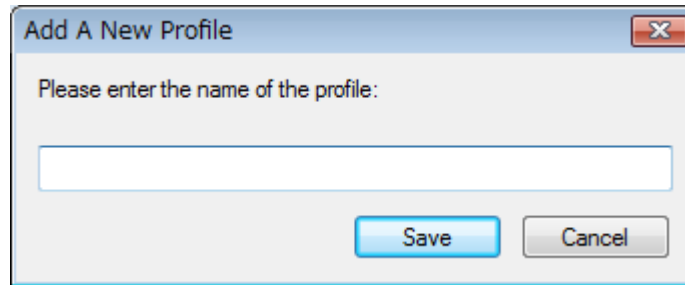
Click **Profiles** to save your frequently-used scan settings.

To create a scan profile:

- 1 Choose your scan settings in the **Scanner Properties** dialog box, using any of the tabs.
- 2 When finished, click the **Image** tab, and then click **Profiles**.
The **Edit Your Profile** dialog box appears.



- 3 Click **Add...**, and then type the name of the profile you want to save.



- 4 Click **Save**.

The new profile will appear in the **Profiles** drop-down list.

NOTE

You can **Delete**, **Rename**, or **Reset** profile names in the **Edit Your Profile** dialog box.

Color Profile

Use the **Color Profile** settings to achieve accurate color reproduction for scans. This option uses the default ICC profile parameters to adjust the image colors. ICC profiles are used with color mapping, mainly in digital photography and printing.

■ Document

Select **Document** if your original contains only text or a mixture of text and graphics. This is an optimal setting for regular business documents.

■ None

Select **None** to disable the **Color Profile** option.

■ Photo

Select **Photo** if your document contains photos, and you want to reproduce your photos in vivid color.

■ Mix

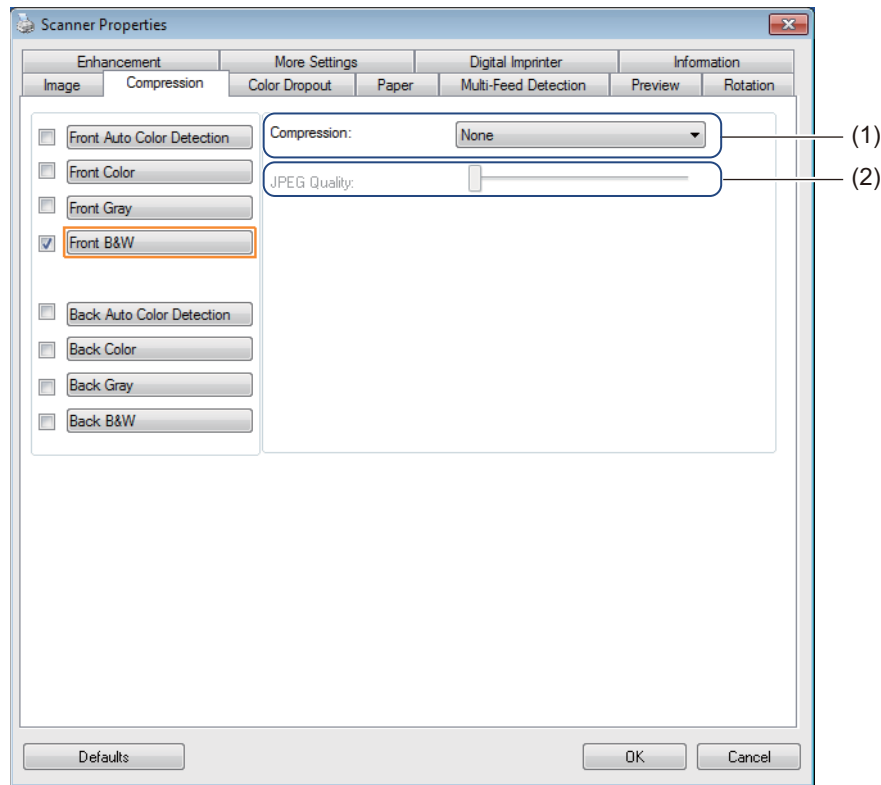
Select **Mix** if your document contains a combination of text and graphics. The **Mix** option offers mid-range scan quality between **Document** and **Photo**.

Compression tab

Click the **Compression** tab to adjust the scanned image size but maintain image quality.

NOTE

The Compression options available may differ depending on the scanning application you use.



No.	Name	Description	Default
(1)	Compression	Select a Compression mode.	None
(2)	JPEG Quality	Change the JPEG quality.	50

Compression

For scanning color or gray images, the following compression types are available:

- None
- JPEG

For scanning black and white images, the following compression types are available:

- None
- G4

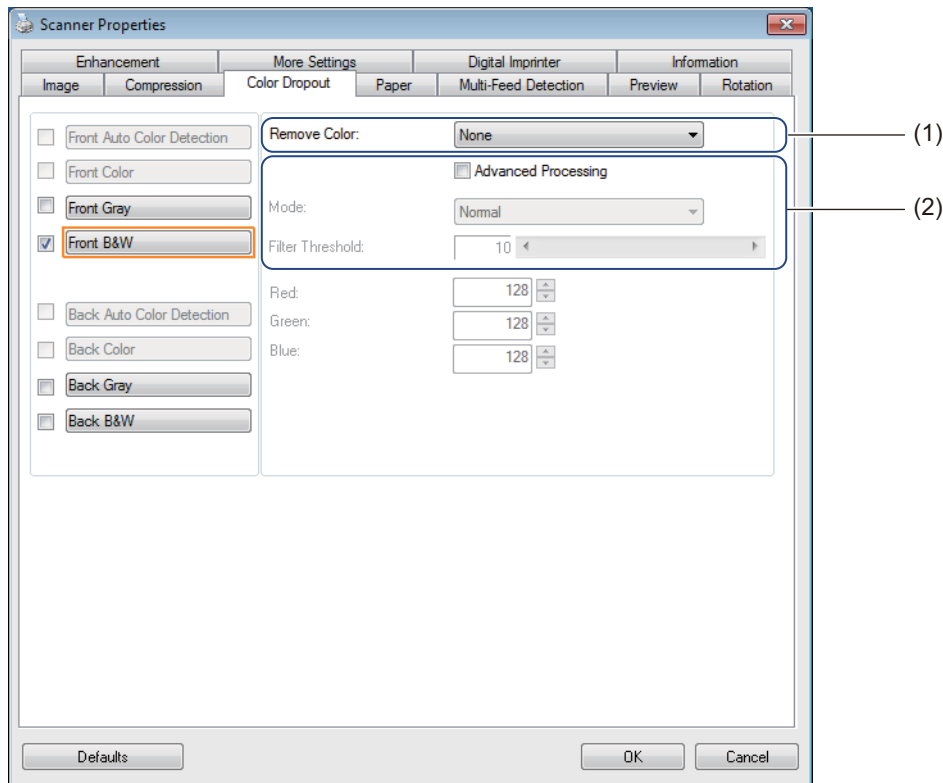
JPEG Quality

Move the **JPEG Quality** slider to the right or left to increase or decrease the level of compression.

The greater the **JPEG Quality** percentage value, the larger the file size.

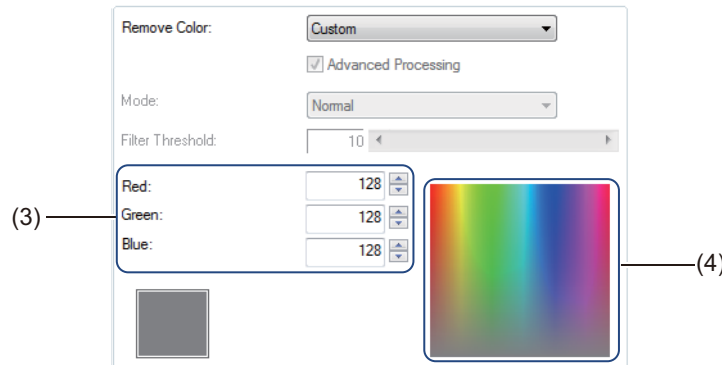
Color Dropout tab

Click the **Color Dropout** tab to remove the red, blue, or green color from your scanned image resulting in a gray or black and white document. **Color Dropout** is available only when you select **Gray** or **B&W** from the Image Selection group. If your image contains a red watermark or background, choose the **Red** channel to remove any red watermark or background color. This feature is useful for sharpening text when using Optical Character Recognition (OCR) software.



No.	Name	Description	Default
(1)	Remove Color	Select the color you want to remove from your scan.	None
(2)	Advanced Processing	Configure the advanced settings when removing a color.	(not selected)

When you select **Custom** from the **Remove Color** drop-down menu, the **Color Dropout** tab changes as follows:



No.	Name	Description	Default
(3)	RGB values	Display the RGB value for the color selected.	-
(4)	Color palette	Select the color you want to remove from a full color wheel.	-

Remove Color

Select one of the following from the **Remove Color** drop-down list:

- **None**
No color is removed.
- **Remove Red / Remove Green / Remove Blue**
Removes red, green, or blue from the scan.
- **Custom**
See *Custom settings* on page 36.

Advanced Processing

Select the **Advanced Processing** check box to adjust the details that can optimize your scan result.

- **Mode**
Select **Quality** to configure detailed settings for the **Filter Threshold** value. **Mode** is available only when **Remove Red**, **Remove Green**, **Remove Blue**, or **Automatic** is selected in the **Remove Color** drop-down list.
- **Filter Threshold**
This value determines how much color to remove. A lower value will drop more of the selected color, while a higher value will leave more of the selected color. **Filter Threshold** is available only when **Quality** is selected in the **Mode** drop-down list.

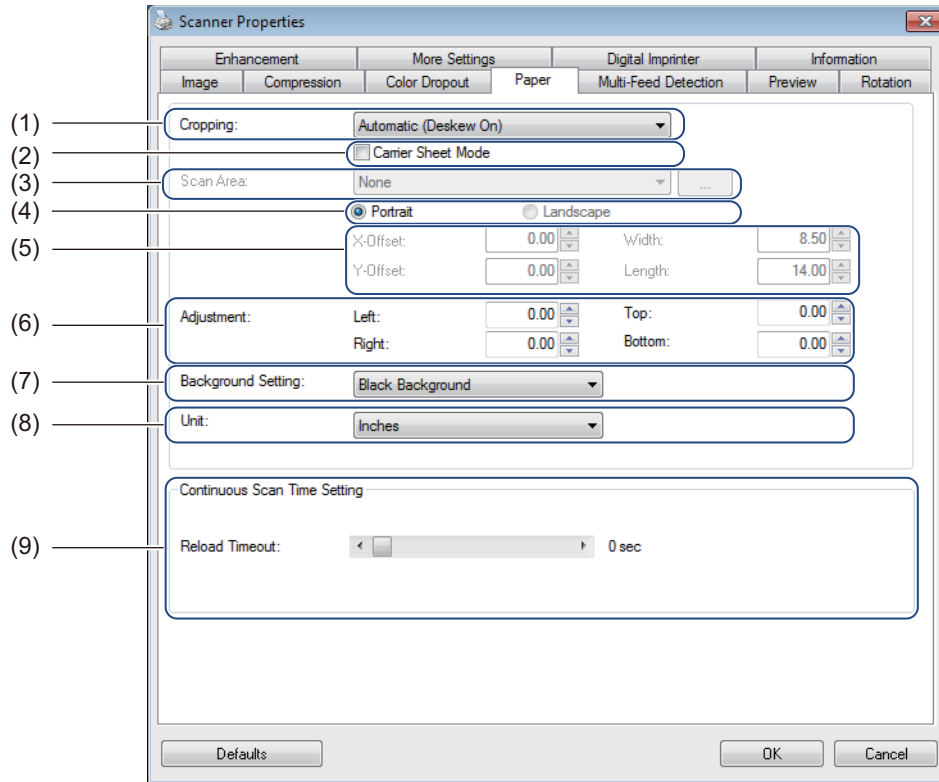
Custom settings

Select **Custom** in the **Remove Color** drop-down list to specify the exact color to be removed by entering its RGB (Red, Green, and Blue) value or by selecting it in the Color palette.

- **RGB values**
Displays the RGB value for the color selected in the Color palette. Adjust RGB values manually, if needed.
- **Color palette**
To manually specify the color you want to remove, click on that color in the palette. The RGB value of the selected color appears in **RGB values**.

Paper tab

Click the **Paper** tab to define values relating to image output and auto scan.



No.	Name	Description	Default
(1)	Cropping	Capture a portion of the document being scanned.	Automatic (Deskew ON)
(2)	Carrier Sheet Mode	Select this check box if using the Carrier Sheet.	(not selected)
(3)	Scan Area / Page Size	Select the paper size.	ISO A4 - 210 x 297 mm
(4)	Portrait / Landscape	Select your scanned document's layout.	Portrait
(5)	X-Offset / Y-Offset / Width / Length / Center	Adjust the scanning area manually.	-
(6)	OverScan / Adjustment	Add a specific margin at top and bottom of the edge of the image.	0.00
(7)	Background Settings	Select a background color.	White Background
(8)	Unit	Select the unit of measurement displayed in the Scanner Properties window.	(based on language)
(9)	Reload Timeout	Set the amount of time the scanner will wait before starting an auto scan after the first scan job is completed.	0

Cropping

Cropping allows you to capture a portion of the document being scanned. Options include:


■ Automatic (Deskew ON)

This option automatically adjusts the cropping window according to document size. Use this option for batches of mixed-sized documents.


NOTE

- When you select **Automatic (Deskew ON)**, scanned images are automatically deskewed if the images are crooked.
 - **Punch Hole Removal** is not available when Automatic Cropping is disabled.
-

■ Fixed Area (Deskew OFF)

This option allows you to define the area or zone to be captured. Use it when scanning batches of same-sized documents. If you select this option, type numerical values, or use the up or down arrow keys  to define the x and y offset values, width and length of your scan area.

■ EOP (End of Page) Detection (Deskew OFF)

This option allows you to define the area or zone to be captured. Use it when scanning batches of same-width but different-length documents. If you select this option, type numerical values, or use the up or down arrow keys  to define the x and y offset values, width, and length of your scan area.

■ Relative to Document (Deskew OFF)

This option allows you to crop different areas of your documents and deliver these images in black and white, gray, or color separately. Use it if you are working with an application that requires you to store the entire document in black and white and a part of the document in color to save storage space. This is useful for documents where a photograph or signature appears in the same area on each document.

Carrier Sheet Mode

Select this check box if using the Carrier Sheet.

NOTE

Carrier Sheet Mode is available only when **Automatic (Deskew ON)** is selected in the **Cropping** drop-down list.

Scan Area / Page Size

This field name changes based on your selection in the **Cropping** drop-down list.


Choose the paper size you want from the drop-down list.

- None
- US Legal - 8.5" × 14"
- US Letter - 8.5" × 11"
- Photo 6" × 4"
- Photo 5" × 3"
- ISO A4 - 210 × 297 mm
- ISO A5 - 148 × 210 mm
- ISO A6 - 105 × 148 mm
- ISO A7 - 74 × 105 mm
- ISO B5 - 176 × 250 mm
- ISO B6 - 125 × 176 mm
- ISO B7 - 88 × 125 mm
- JIS B5 - 182 × 257 mm
- JIS B6 - 128 × 182 mm
- JIS B7 - 91 × 128 mm
- Maximum Scan Length
- Long Page (< 5,994 mm²)
- Custom¹

¹ Available after adding Custom setting (see below).

² If scanning at 200 dpi, the length that can be scanned will vary with the resolution.

Custom

Click the  button to add or change a custom paper size. To apply the custom settings, select **Custom** from the **Scan Area / Page Size** drop-down list.

Portrait / Landscape

NOTE

Landscape cannot be selected when **US Legal**, **US Letter**, **A4**, **B5**, **Maximum Scan Length**, or **Long Page** is selected.

X-Offset / Y-Offset / Width / Length / Center

When you select **Fixed Area (Deskew OFF)** from the **Cropping** drop-down list, you can adjust the scan area manually using the following values:

■ X-Offset

Adjust the distance from the left edge of the scanner to the left edge of the area in the document that you want to scan.

■ Y-Offset

Adjust the distance from the top edge of the document to the top edge of the area in the document that you want to scan.

■ Width

Adjust the width of the area in the document that you want to scan.

■ Length

Adjust the length of the area in the document that you want to scan.

■ Center

Allow the software to automatically center the scanned image based on the selected paper size.

OverScan / Adjustment

OverScan (Adjustment) allows you to add a specific margin at top and bottom of the edge of the image. This is used to reduce possible corner clipping on skewed images and is often applied to a batch of skewed documents.

Select a value between 0 and 4.5 mm.

Background Setting

Select **White Background** or **Black Background** from the drop-down list to set the background color for your scanned images.

NOTE

This option is available only when you select **Automatic (Deskew ON)** in the **Cropping** drop-down list.

Unit

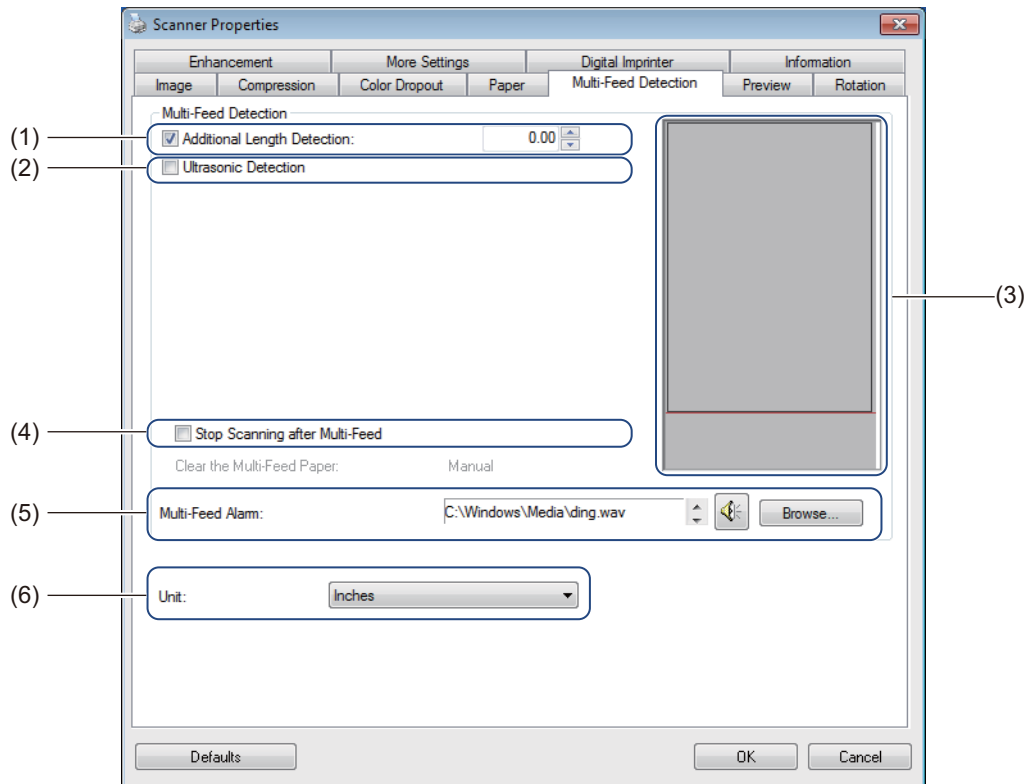
Select **Millimeters**, **Inch**, or **Pixel** from the drop-down list. The default setting is based on your OS language.

Reload Timeout

Set the amount of time the scanner will wait before auto-scanning the next document after a scan job is completed. Use this feature if you load many separate documents in the ADF that must be scanned using the same scan settings.

Multi-Feed Detection tab

Click the **Multi-Feed Detection** tab to detect pages that overlap when fed through the ADF. A multi-feed usually occurs due to stapled documents, adhesives on documents, or electrostatically charged documents.



No.	Name	Description	Default
(1)	Additional Length Detection	Define the page length if it exceeds the scan area.	(not selected)
(2)	Ultrasonic Detection	Detect overlapped pages by measuring paper thickness.	(not selected)
(3)	Display window	Display a preview of Additional Length Detection .	-
(4)	Stop Scanning after Multi-Feed	Stop the ADF and display a Warning when a multi-feed is detected.	(not selected)
(5)	Multi-Feed Alarm	Customize an alarm sound if a multi-feed occurs.	C:\Windows\Media\ Ding.wav
(6)	Unit	Select the unit of measurement displayed in the Scanner Properties window.	(based on language)

Additional Length Detection

Additional Length Detection allows you to define the length of document being scanned by specifying the additional length exceeding scan area. The **Display window** displays the size of the page as you change the value. A value of 0 indicates no additional length detection. Use the **Additional Length Detection** feature when scanning multiple same-size documents from the ADF.

If you select this detection method, scanning will not stop even if a multi-feed is detected.

Ultrasonic Detection

Ultrasonic Detection detects overlapping pages by measuring paper thickness.

If you select this detection method, scanning stops immediately upon multi-feed detection and a Warning appears on your computer monitor.

Display window

This window displays a preview of the **Additional Length Detection** value.

Select **Stop Scanning after Multi-Feed** check box to stop the ADF, stop scanning immediately, and display a Warning on your computer monitor when a multi-feed is detected.

Stop Scanning after Multi-Feed

Select this check box to stop the feeder and display the Warning dialog box when multi-feed is detected.

NOTE

This option is available only when you select **Additional Length Detection**.

Multi-Feed Alarm

Use this feature if you want your computer to emit an audible alarm if a multi-feed occurs.

To change the alarm sound, click **Browse...** and choose a wave file from your computer.

NOTE

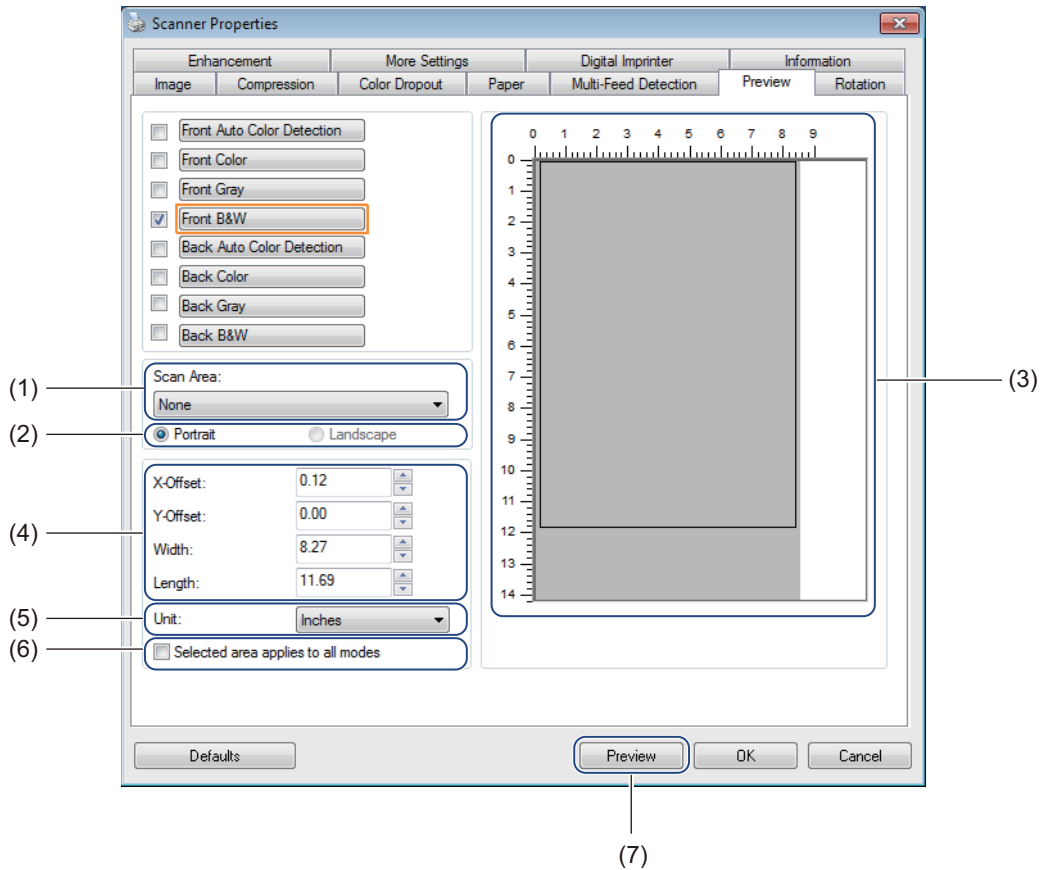
- This feature is available when either **Additional Length Detection** or **Ultrasonic Detection** is selected.
 - The alarm field supports only the .wav file format.
-

Unit

Select **Millimeters**, **Inches**, or **Pixels** from the drop-down list. The default setting is based on your OS language.

Preview tab

Click the **Preview** tab to preview your image (at a low resolution) before your final scan. This preview image is useful for determining your scan area and checking your color processing results.



No.	Name	Description	Default
(1)	Scan Area	Select the paper size.	ISO A4 - 210 x 297 mm
(2)	Portrait / Landscape	Select the scanned document's layout.	Portrait
(3)	Display window	Display a preview of your scanned image or set your scan area manually.	-
(4)	X-Offset / Y-Offset / Width / Length	Adjust your scan area manually.	-
(5)	Unit	Select the unit of measurement displayed in the Scanner Properties window.	(based on language)
(6)	Selected area applies to all modes	Apply the same scan area settings to all documents.	(not selected)
(7)	Preview	Preview your scan.	-

NOTE

Scan Area, Portrait / Landscape, Display window, X-Offset / Y-Offset / Width / Length and Unit are disabled under the following settings:

- When **Cropping** is set to **Automatic (Deskew ON)** in the **Paper** tab (see *Paper tab* on page 37).
 - When **Cropping** is set to **Fixed Area (Deskew OFF)** and **Scan Area** is set to **Long Page (> 914.4 mm)** in the **Paper** tab (see *Paper tab* on page 37).
-

Scan Area

Choose the paper size you want from the drop-down list.

- None
- US Legal - 8.5" × 14"
- US Letter - 8.5" × 11"
- Photo 6" × 4"
- Photo 5" × 3"
- ISO A4 - 210 × 297 mm
- ISO A5 - 148 × 210 mm
- ISO A6 - 105 × 148 mm
- ISO A7 - 74 × 105 mm
- ISO B5 - 176 × 250 mm
- ISO B6 - 125 × 176 mm
- ISO B7 - 88 × 125 mm
- JIS B5 - 182 × 257 mm
- JIS B6 - 128 × 182 mm
- JIS B7 - 91 × 128 mm
- Maximum Scan Length

Portrait / Landscape

NOTE

Landscape cannot be selected when **US Legal**, **US Letter**, **A4**, **B5**, **Maximum Scan Length**, or **Long Page** is selected.

Display window

The Display window displays a preview of your scanned image.

You can set your scan area by placing your cursor in the Display window and dragging it diagonally to size the outline.

X-Offset / Y-Offset / Width / Length

You can adjust the scan area manually using the following values:

■ **X-Offset**

Adjust the distance from the left edge of the scanner to the left edge of the area in the document that you want to scan.

■ **Y-Offset**

Adjust the distance from the top edge of the document to the top edge of the area in the document that you want to scan.

■ **Width**

Adjust the width of the area in the document that you want to scan.

■ **Length**

Adjust the length of the area in the document that you want to scan.

Unit

Select **Millimeters**, **Inches**, or **Pixels** from the drop-down list. The default setting is based on your OS language.

Selected area applies to all modes

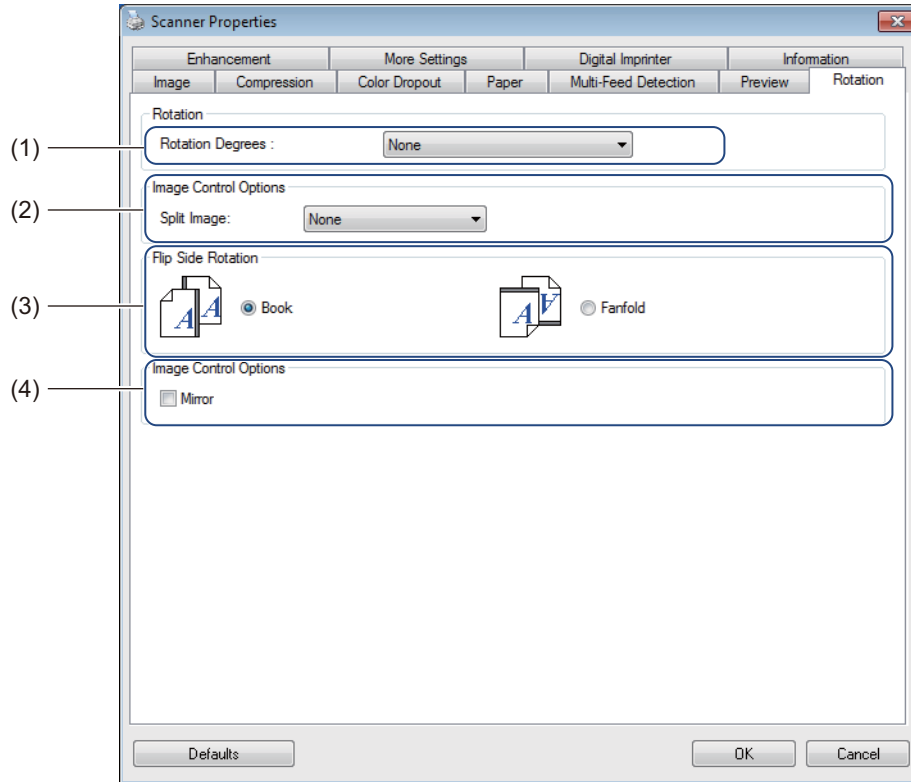
Select the **Selected area applies to all modes** check box if you want all documents to use same scan area settings.

Preview

Click **Preview** to display a low-resolution preview in the Display window.

Rotation tab

Click the **Rotation** tab to change values related to image rotation.



No.	Name	Description	Default
(1)	Rotation Degrees	Rotate the scanned image.	None
(2)	Split Image	Separate the scanned image.	None
(3)	Flip Side Rotation	Change the orientation of the reverse side of the output page.	Book
(4)	Mirror	Reverse the right and left sides of your image.	(not selected)

Rotation Degrees

To rotate the scanned image, select the rotation angle from the drop-down list:

- **None**
- **90 degrees CW** (Clockwise)
- **90 degrees CCW** (Counter-clockwise)
- **180 degrees**
- **Auto Orientation**

If you select **Auto Orientation**, the scanner automatically rotates your document based on its contents.

Split Image

When you split an image, the scanner creates two separate images aligned either horizontally or vertically. This is useful for documents containing an image that spans two pages, because you can save both images as a single image on a single page.

- **None**

- **Horizontal**

Divide a single image in half horizontally.

- **Vertical**

Divide a single image in half vertically.

Flip Side Rotation

- **Book**

Maintain the same image orientation on the reverse side of the output page.

- **Fanfold**

Rotate the image orientation 180 degrees on the reverse side of the output page.

NOTE

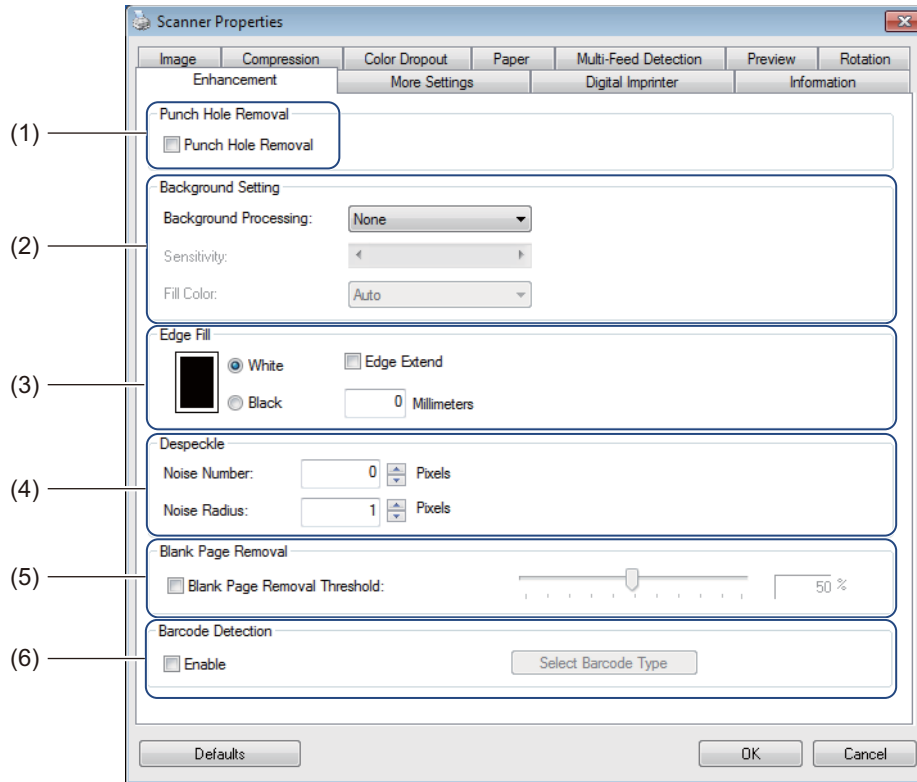
Flip Side Rotation is available only when you set **Image Selection** options to scan both front and back of your document in the **Image** tab.

Mirror

Select the **Mirror** check box to reverse the right and left sides of your image.

Enhancement tab

Click the **Enhancement** tab to improve the appearance of your scanned image.



No.	Name	Description	Default
(1)	Punch Hole Removal	Remove punch hole markings.	(not selected)
(2)	Background Setting	Remove or smooth the background color.	None
(3)	Edge Fill	Add a white or black edge around the border.	White Millimeters: 0
(4)	Despeckle	Remove small dots or specks from the background.	Noise Number: 0 Noise Radius: 1
(5)	Blank Page Removal	Remove any blank pages from the original document.	(not selected)
(6)	Barcode Detection	Detect and recognize barcodes.	(not selected)

Punch Hole Removal

Select the **Punch Hole Removal** check box to remove punch hole markings on scanned images. This feature removes the punch hole markings by filling hole marks with the surrounding color.



Original



Punch Hole Removal

NOTE

Punch Hole Removal is not available when **Automatic Cropping** is disabled.

Background Setting

Specifying the **Background Setting** allows you to remove or smoothen the base color of scanned documents.

■ Background Processing

Select **None**, **Smooth** or **Removal** from the drop-down list. **Smooth** makes the background smooth, and **Removal** removes the background color.

■ Sensitivity

Move the **Sensitivity** slider to the left or right to adjust the sensitivity to base color or background. The greater the sensitivity value, the better the scan results but the slower the scanning speed.

■ Mode

This option is available only if you select **Smooth** under **Background Processing**, above. Select **Auto** to allow the software to process the image automatically. Select **Moire** to reduce moire.

■ Fill Color

This option is available only if you select **Removal** under **Background Processing**, above. Select **White** to make the background white. Select **Auto** to allow the software to detect the background color automatically and fill it in with the color.

Edge Fill

Select **White** or **Black** and set a value (in **Millimeters**) to add a white or black edge around the border of your scanned image.

Select the **Edge Extend** check box to add a white or black edge outside the border of your scanned image.

NOTE

- The maximum edge fill the value of the shorter side of a selected scan area. For example, if you select Letter size, which is 8.5 × 11 in., the maximum value for the white edge or black edge is 4.25 in. (or half of 8.5 in.). If you have selected an A4 size, which is 210 × 297 mm, the maximum value for the white edge or black edge is 105 mm (half of 210 mm).
- If you set a value greater than the maximum allowed, the value automatically defaults to the maximum.
- To disable this feature, set the value to 0.



Original



Edge Fill: 20 mm (Black)

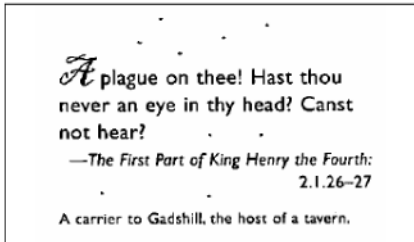


Edge Fill: 20 mm (Black)
Edge Extend: Selected

Despeckle

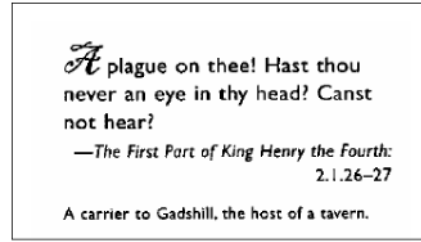
This function allows you to remove small dots or specks called “noise,” from the background of scanned images. Removing unwanted speckles provides a clear image for OCR processing, and helps to reduce compressed file size.

Define the noise you want to remove by specifying **Noise Number** (size) and **Noise Radius** (range).



Before Despeckle

(Noise Number: 0, Noise Radius: 1)



After Despeckle

(Noise Number: 22, Noise Radius: 10)

NOTE

Despeckle is available for black and white images only.

Blank Page Removal

Select the **Blank Page Removal** check box to remove blank pages from your scanned image. Move the slider to change the threshold, or level of pixels, that determines a blank page.

Barcode Detection

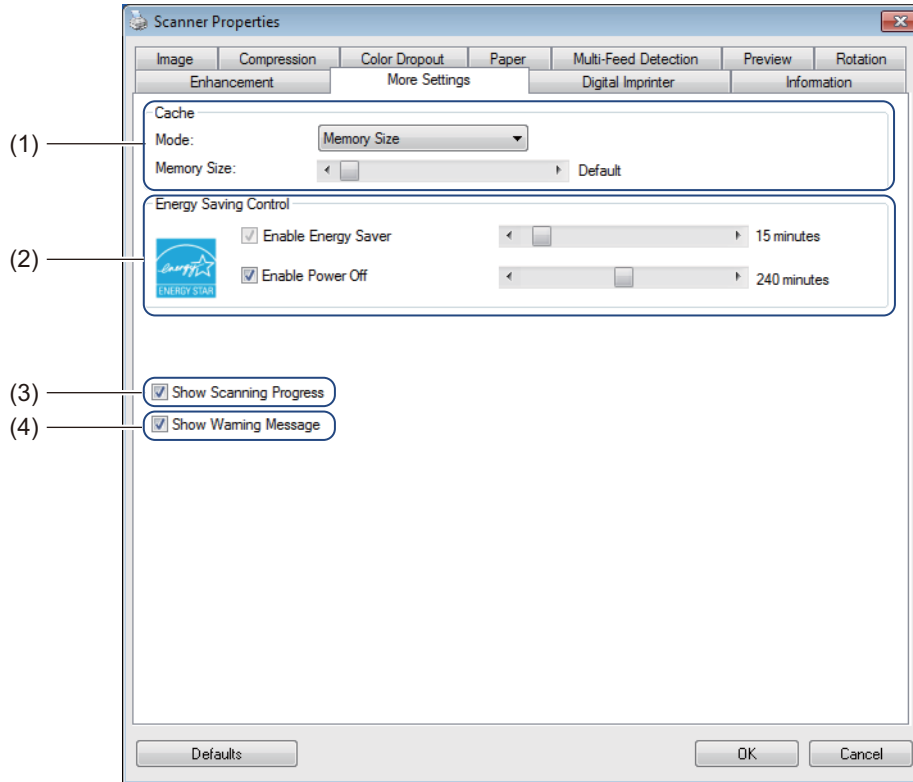
Select the **Barcode Detection** check box to detect and recognize barcodes in your document. An **avbarcode.ini** file containing the barcodes is created and stored on your system drive, for example, **C:\ProgramData\PDS-XXXX\avbarcode.ini** (where XXXX is your model name).

■ Select Barcode Type

Click **Select Barcode Type** and select the barcode type(s) to specify the barcode type(s) that you want the scanning software to recognize.

More Settings tab

Click the **More Settings** tab to configure additional scanning options.



No.	Name	Description	Default
(1)	Cache	Assign a specified amount of memory from the available RAM to process the image data.	Memory Size
(2)	Energy Saving Control	Change settings related to energy saving.	Energy Saver: 15 minutes Power Off: 240 minutes
(3)	Show Scanning Progress	Select to display the scanning progress bar during scanning.	(selected)
(4)	Show Warning Message	Select to display warning messages.	(selected)
(5)	Save Settings after Closing	Select to save all settings when you close the Scanner Properties dialog box. NOTE This item is displayed only when using a TWAIN-compliant application such as OmniPage.	(selected)

Cache

This option allows you to assign a specified amount of memory from the available RAM to process the image data. By specifying a smaller memory size, you free more memory for other applications you are running. By specifying a larger memory size, you have more memory to process the image data, which is useful especially when you have a large amount of documents to scan.

■ None

Select **None** from the **Mode** drop-down list to specify the number of pages to scan. For example, to scan only the first two pages of a document, move the page slider to **2**.

■ Page Number

Select **Page Number** to limit your cache size by the number of scanned pages it contains. For your information, a Letter/A4 color document scanning at 300 dpi consumes approximately 24 MB.

■ Memory Size

Select **Memory Size** to limit your cache size by memory size. The amount of available memory depends on your computer.

Energy Saving Control

■ Enable Energy Saver (Power Saving Mode)

Move the slider to set the amount of idle time before the scanner enters Power Saving Mode.

■ Enable Power Off

Select the **Enable Power Off** check box and move the slider to set the amount of idle time before the machine automatically powers off.

NOTE

- You cannot disable **Enable Energy Saver**.
 - If you clear the **Enable Power Off** check box, your machine will not power off automatically.
 - **Power Off** time must be greater than or equal to **Energy Saver** time.
-

Show Scanning Progress

Select the **Show Scanning Progress** check box to display the scanning progress bar during scanning.

Show Warning Message

Select the **Show Warning Message** check box to display warning messages. If the rollers are near their end-of-life period, a warning message appears once per day until you reset the counter.

Save Settings after Closing

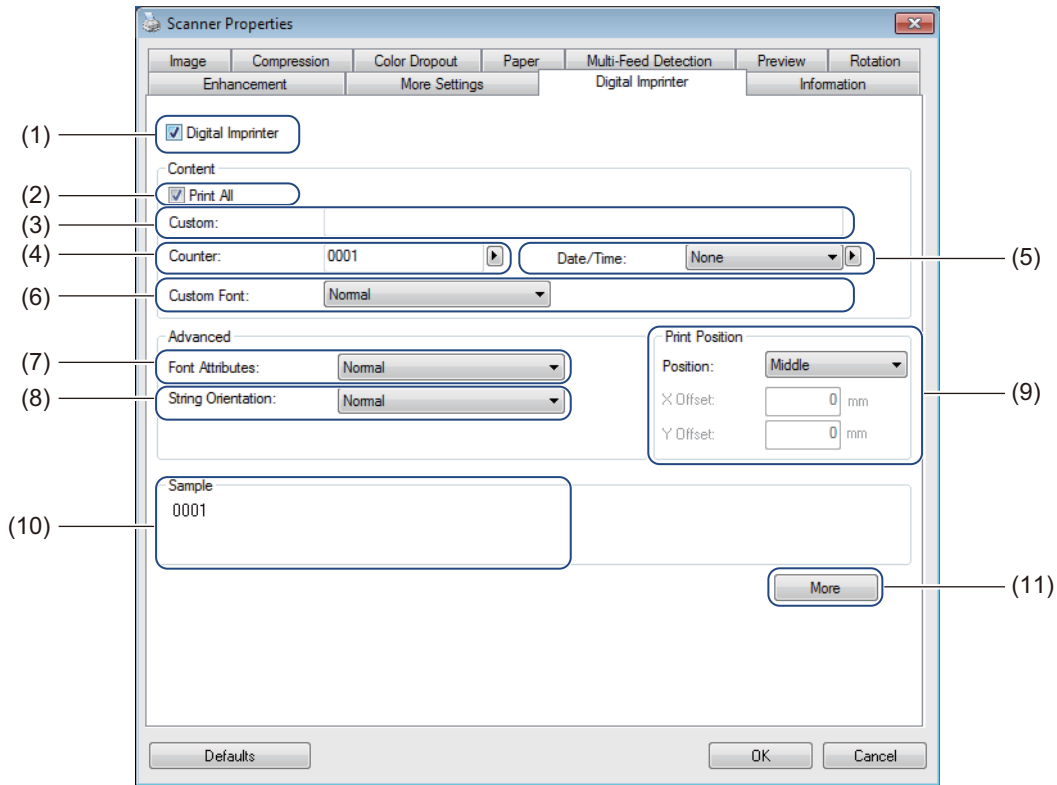
Select the **Save Settings after Closing** check box to save your settings when you close the **Scanner Properties** dialog box. The next time you open the **Scanner Properties** dialog box, the previous settings will appear.

NOTE

This item is displayed only when using a TWAIN-compliant application such as OmniPage.

Digital Imprinter tab

Click the **Digital Imprinter** tab to print the date, time, document count, or a custom messages on your scanned image.



No.	Name	Description	Default
(1)	Digital Imprinter	Select to activate this feature.	(not selected)
(2)	Print All	Print on every page of the scanned image.	(selected)
(3)	Custom	Type the custom text to print on your scanned image.	-
(4)	Counter	Change the scan counter.	Number (such as 1234)
(5)	Date/Time	Change the date/time.	None
(6)	Custom Font	Select a font.	Normal
(7)	Font Attributes	Select a font attribute.	Normal
(8)	String Orientation	Select the print direction.	Normal
(9)	Print Position	Select a print position.	Middle
(10)	Sample	Preview your custom text.	-
(11)	More	Set advanced font settings.	Size: 5 Density: 0 Transparency: 0

Digital Imprinter

Select the **Digital Imprinter** check box to use the digital imprinter to print custom text on your scanned image.


Print All

Select the **Print All** check box to print the text on every page of the scanned image.
Clear the check box to print the text only on the first page of the scanned image.

Custom

Type the text you want in your print string (up to 31 characters).


Counter

Click  to increase the scan counter.

The number of digits specified here will be displayed on the scanned image. For example, selecting Number (**123456**) will cause “**000001**” to be shown on the first page of the scanned image, “**000002**” on the second, “**000003**” on the third, and so forth.

Date/Time

Select **Date**, **Time**, or **Date+Time** to include the date and/or time in your print string.

Click  to select a date and/or time separator from the drop-down list.

Custom Font

Select **Normal** or **Fixed Width** from the **Custom Font** drop-down list.

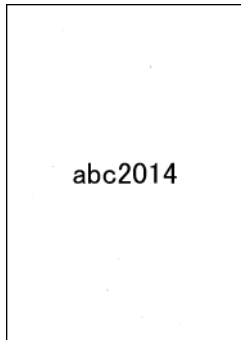
Fixed Width (monospace) fonts use fixed character spacing, so each character occupies the same width.

Font Attributes

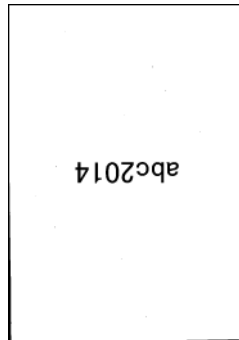
Select **Normal**, **Underline**, **Double**, or **Bold** from the **Font Attributes** drop-down list.

String Orientation

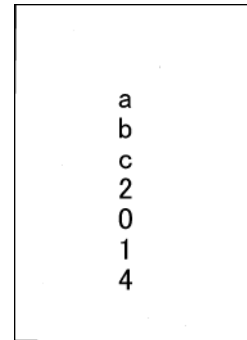
Select **Normal**, **Rotated**, **Vertical**, **Vertical Inversion**, **90 Degrees CW**, or **90 Degrees CCW** from the **String Orientation** drop-down list to specify the text's print direction.



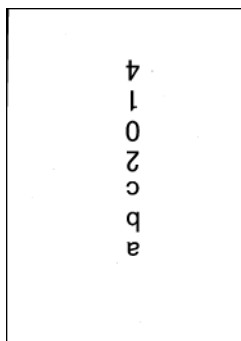
Normal



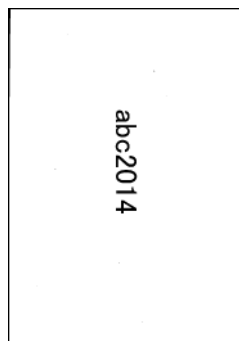
Rotated



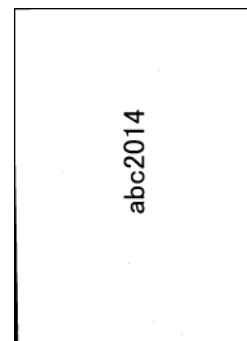
Vertical



Vertical Inversion



90 Degrees CW



90 Degrees CCW

Print Position

Select **Top**, **Middle**, **Bottom**, or **Custom** from the **Position** drop-down list.

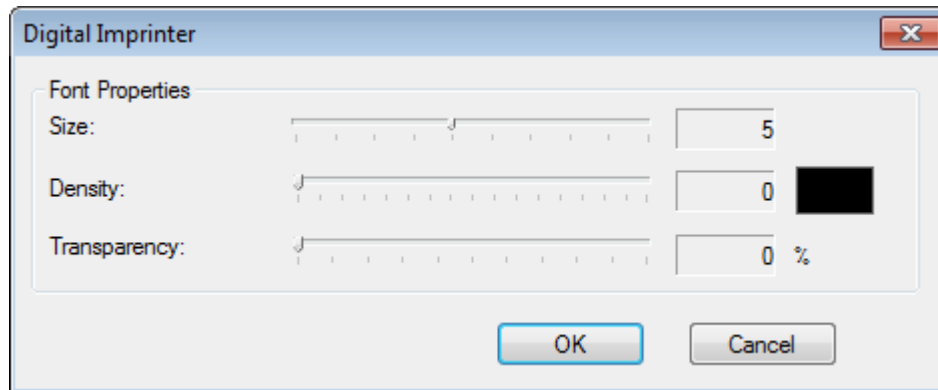
If you select **Custom**, enter the **X Offset** and **Y Offset** value to specify the text's start position.

Sample

Preview your text here.

More

Click the **More** button to select additional font properties.



■ Size

Move the slider to select font size (Default: 5).

■ Density

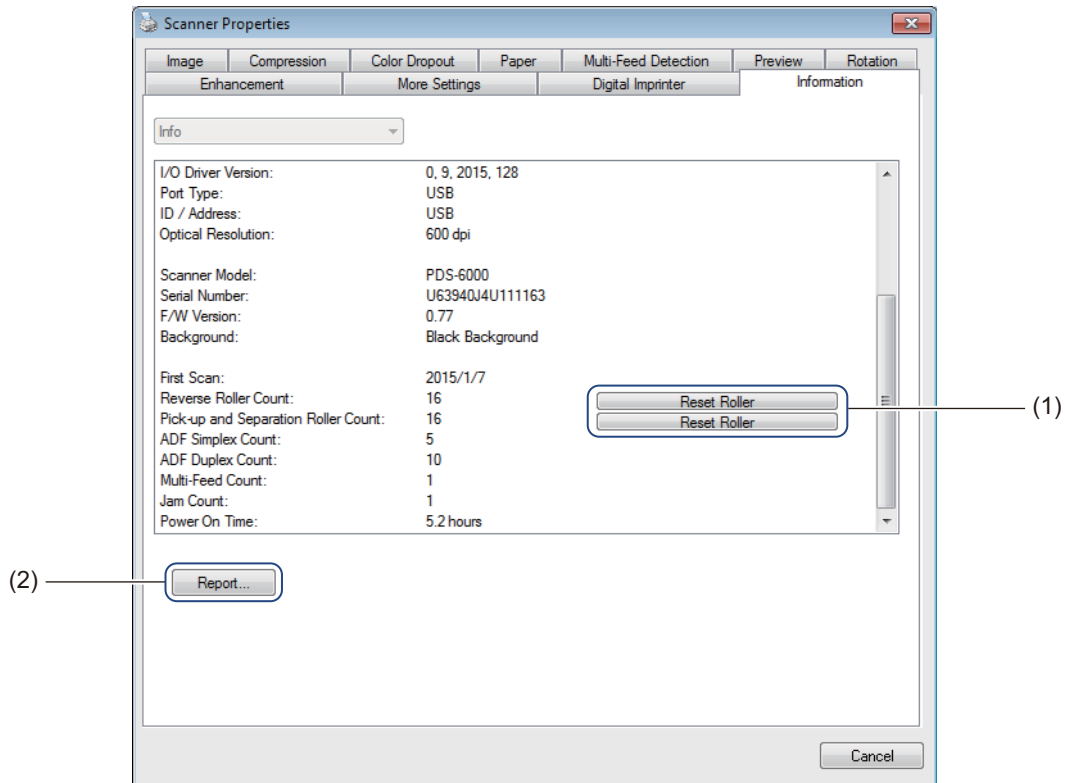
Move the slider to select font density (Default: 0).

■ Transparency

Move the slider to select a transparency value from 0% (not transparent) to 100% (completely transparent). This is useful if you want a partially transparent watermark.

Information tab

Click the **Information** tab to display system and scanner information, such as scanner driver version and firmware version. You can also view the Roller count and reset the count in this window.



No.	Name	Description	Default
(1)	Reset Roller	Reset the roller count.	-
(2)	Report	Generate a report.txt file.	-

Reset Roller

After replacing the scanner rollers, click the **Reset Roller** button to reset the roller count.

NOTE

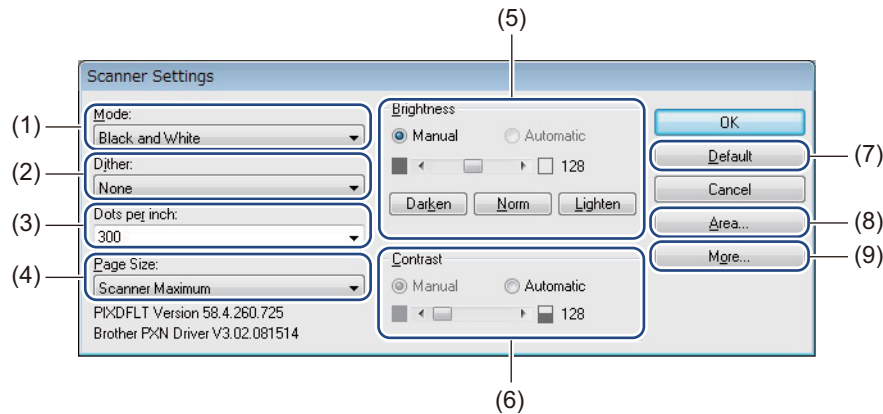
Make sure you do not reset the counter unless you have replaced the rollers.

Report

Click the **Report** button to generate a **report.txt** file that is stored in the system drive (for example, C:\XXXX <where XXXX is your scanner model>). Use this text file for troubleshooting when you encounter an error message (see chapter 8, Troubleshooting, on page XX), or share this file with service personnel if you contact them via phone or email for troubleshooting support.

Scan using the ISIS driver

If you are working with an ISIS driver, you may want to use the scanning application QuickScan Pro, which is an optional installation on Brother's installation DVD. To install, select **QuickScan Pro** from the **Additional Applications** screen on Brother's installation DVD. Using QuickScan Pro is different from DS Capture because the compact interface of QuickScan Pro resembles the TWAIN interface. When you launch QuickScan Pro, the **Scanner Settings** screen appears.




No.	Name	Description
(1)	Mode	Select a scan, such as black and white, gray, or color.
(2)	Dither	Five halftone levels are available.
(3)	Dots per inch	Select your desired resolution.
(4)	Page Size	Select the page size you want.
(5)	Brightness	Adjust the brightness of your scanned image.
(6)	Contrast	Adjust the range between the darkest and the lightest shades in the image.
(7)	Default	Click to reset all settings to the factory settings.
(8)	Area	Select your desired scan area or position.
(9)	More	Click to reverse image, set multi-feed detection and specify color drop-out.

6

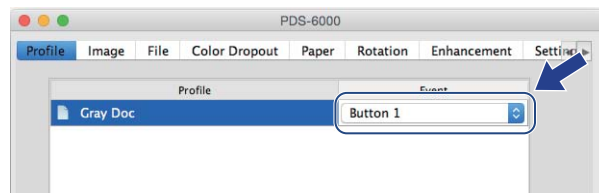
Scan (Macintosh)

Scan using the control panel

Customize the  Scan button on your Brother machine's control panel to scan using your preferred scanning software.

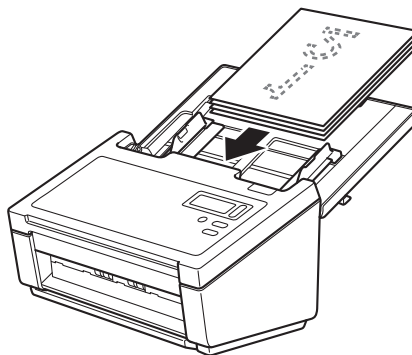
Assign a profile to the Scan button


- 1 Confirm that the machine is connected to your computer via a USB cable.
- 2 Launch **DS Capture**, and click the **Profile** tab.
- 3 Click the **Event** pop-up list, and select an event number.
The **Button #** you select from this list directly corresponds with the function numbers (Function X) displayed on the machine's LCD.



Scan a document

- 1 Confirm that the machine is connected to your computer via a USB cable.
- 2 Set your document in the ADF.




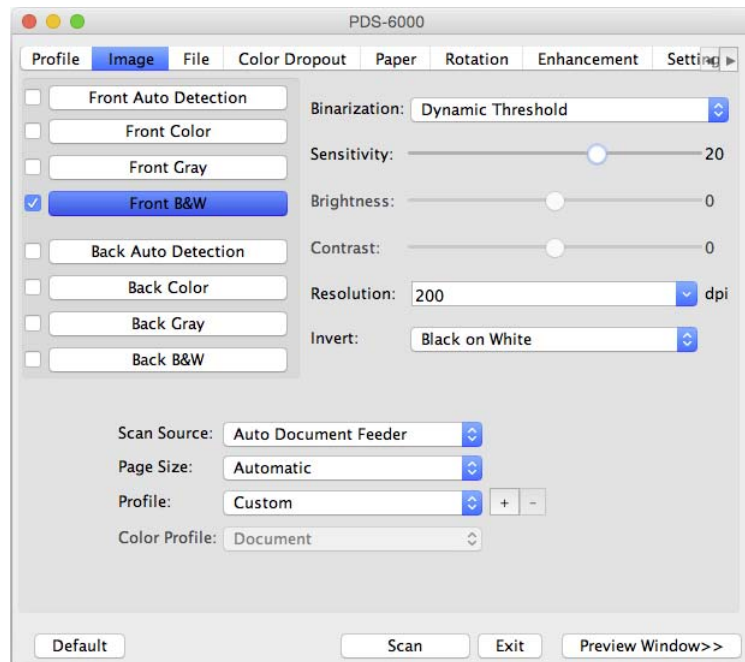
- 3 Launch **DS Capture**.
- 4 Press **▲** or **▼** to select a **Function**.
- 5 Press  to start scanning.

Scan using your computer

To scan using your computer, launch a TWAIN-compatible application on your computer, such as DS Capture or Adobe® PhotoShop®. This guide uses DS Capture as an example.

Scan with DS Capture

- 1 Confirm that the machine is connected to your computer via a USB cable.
- 2 Double-click the **DS Capture**  icon on your desktop.
- 3 **DS Capture** launches.



- 4 Change the scanning settings, if needed.
For more information on changing settings, see *Change scan settings using the TWAIN driver* on page 63.
- 5 Set your document in the ADF.
- 6 Click **Scan** in the DS Capture screen.
Your scanner starts scanning. The scanned image will be saved in the directory you specified in the **File** tab.
For more information, see *File tab* on page 72. Check the scan result to confirm that all settings are correct.

Change scan settings using the TWAIN driver

The TWAIN driver provides various settings and useful functions that you can use when scanning, as listed in the overview table below.

In this guide, we use the DS Capture application in our examples. Instructions for other scanning software will be similar.

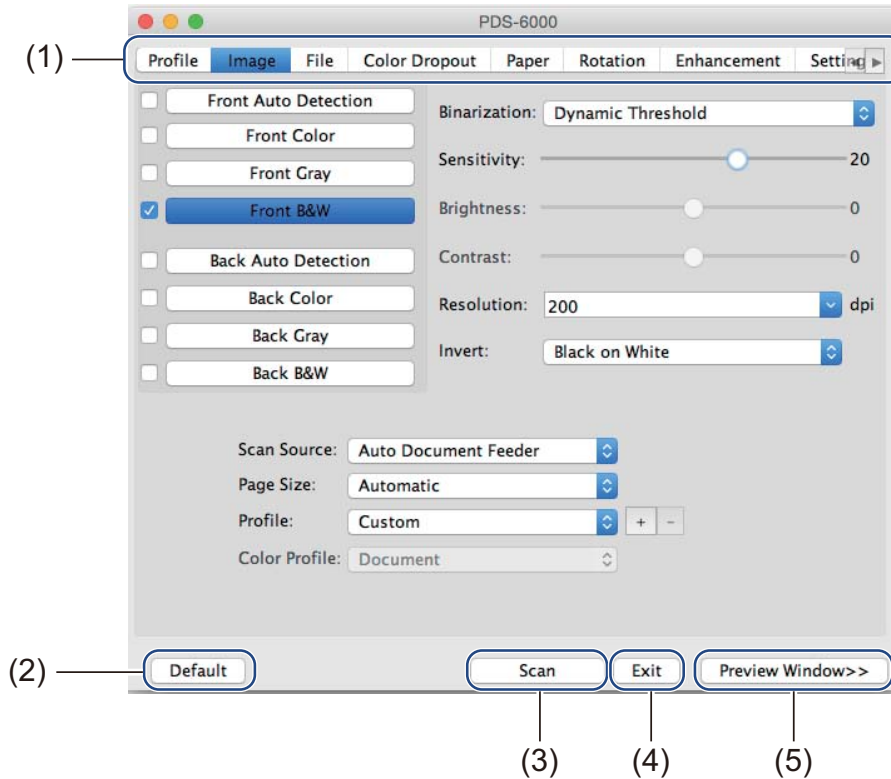
Functional overview

Category	Function	Reference
Basic settings	Specify the image type (color) and scan	<i>Image tab on page 66</i>
	Automatically identify the document color and scan	<i>Image tab on page 66</i>
	Specify the document size and scan	<i>Paper tab on page 76</i>
	Automatically identify the document size and scan	<i>Paper tab on page 76</i>
	Specify the resolution and scan	<i>Image tab on page 66</i>
Image processing	Remove the specified color and scan	<i>Color Dropout tab on page 74</i>
	Rotate the document	<i>Rotation tab on page 79</i>
	Detect and remove the blank page	<i>Enhancement tab on page 81</i>
	Remove punch holes of scanned documents	<i>Enhancement tab on page 81</i>
	Automatically compensate the document tilt	<i>Paper tab on page 76</i>
	Remove the document base color	<i>Enhancement tab on page 81</i>
	Clean up paper edge of border with white or black result	<i>Enhancement tab on page 81</i>
	Remove small defects due to dust, or scratches, on a scanned image	<i>Enhancement tab on page 81</i>
Efficient scanning	See preview and check scan settings	<i>DS Capture screen overview on page 64</i>
	Save your scanner properties	<i>Image tab on page 66</i>
	Acquire multiple color type scan results with a single scan	<i>Image tab on page 66</i>
	Specify the computer memory used when scanning	<i>Setting tab on page 85</i>
	Perform consecutive document scanning	<i>Paper tab on page 76</i>
Advanced functions	Add a character string to the scan result	<i>Imprinter tab on page 86</i>
	Divide a 1 page document into 2 pages	<i>Rotation tab on page 79</i>
	Scan a document larger than Letter/A4 size	<i>Image tab on page 66</i>
Machine settings	Specify multi-feed detection settings	<i>Paper tab on page 76</i>
	Check and reset the scan count	<i>Information tab on page 90</i>
	Change the Power Saving Mode and Power Off time settings	<i>Setting tab on page 85</i>
System information	Check the scanner and computer system information	<i>Information tab on page 90</i>

DS Capture screen overview

Launch the TWAIN user interface using your scanning software. This guide uses the DS Capture user interface to explain the TWAIN user interface.

Click the tab menus to configure the scanner's settings.



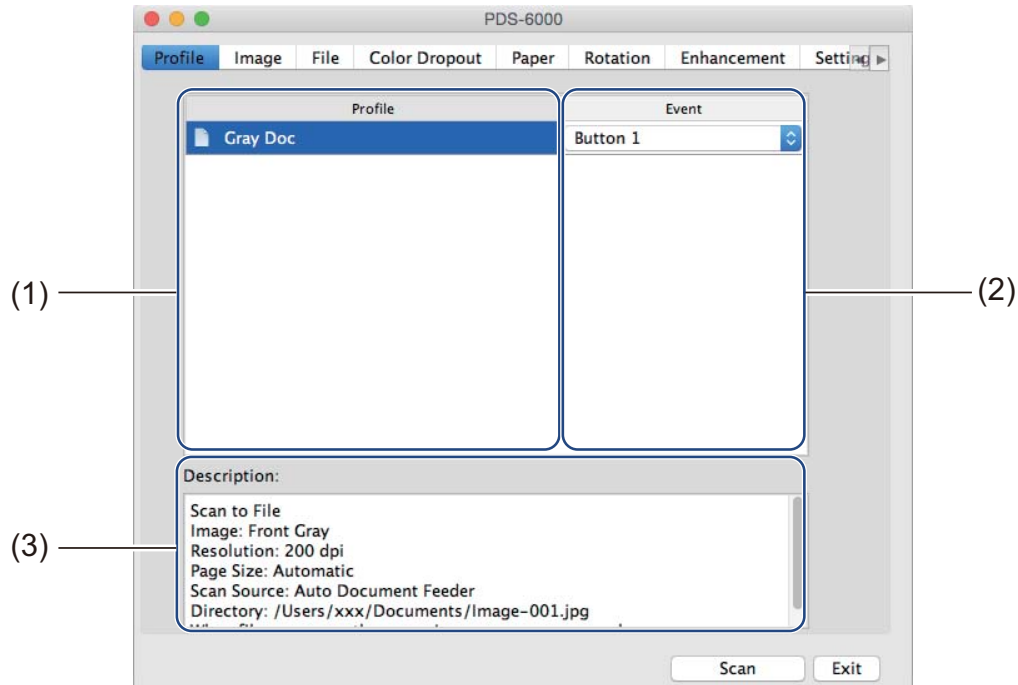
No.	Name	Description
(1)	Tabs	Profile, Image, File, Color Dropout, Paper, Rotation, Enhancement, Setting, Imprinter, Information
(2)	Default	Click Default to reset all settings in all tabs to the original factory settings.
(3)	Scan	Click Scan to start scanning.
(4)	Exit	Click Exit to close the window.
(5)	Preview Window	Click to show or hide the image preview window to preview your image (at a low resolution) before your final scan.

NOTE

All settings in the **Image** tab (except for the **Resolution**), and the **Color Dropout** tab can be set individually for the front and back of any double-sided document you scan.

Profile tab

Click the **Profile** tab to assign specific scan profiles to specific buttons on the scanner's control panel.



No.	Name	Description	Default
(1)	Profile	View all scan profiles saved in DS Capture. Click on a Profile to view its settings in the Description field.	Duplex, B&W, PDF Duplex, Color, JPEG Duplex, Gray, JPEG Simplex, B&W, PDF Simplex, Color, JPEG Simplex, Gray, JPEG
(2)	Event	Select a button number from the pop-up list. The Button # you select from this list directly corresponds with the function numbers (Function X) displayed on the machine's LCD.	-
(3)	Description	View the selected scan profile's settings.	-

NOTE


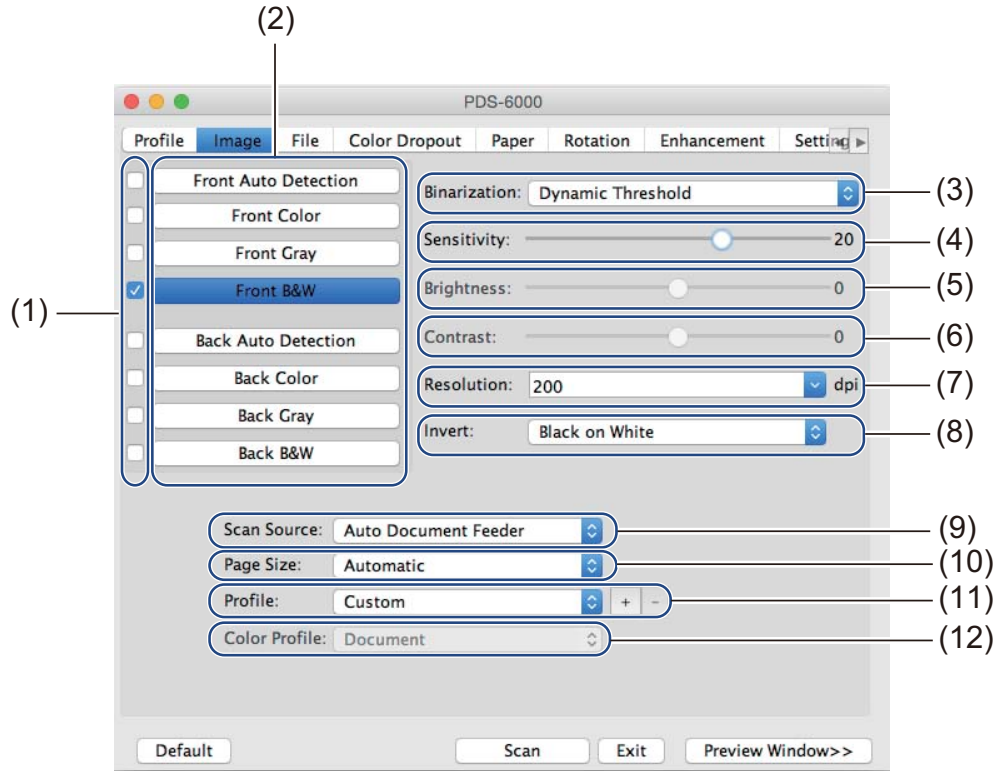
You must assign an event number to scan using the  Scan button on the machine. For more information, see *Scan using the control panel* on page 61.

Image tab

Click the **Image** tab to set basic scan settings, to assign values for the front or back of your document and to specify the image type.



No.	Name	Description	Default
(1)	Image Selection check boxes	Select the check box(es) to specify the type of scan for the front (and back) of your document.	Front B&W
(2)	Image Selection group	Customize the settings for the front and back sides of your document.	Front B&W
(3)	Binarization / Document Type	Select a proper image processing mode. This field name changes based on your choice in the Image Selection group.	Dynamic Threshold / Document
(4)	Sensitivity / Threshold	Change sensitivity/threshold value.	-
(5)	Brightness	Change brightness.	0
(6)	Contrast	Change contrast.	0
(7)	Resolution	Select resolution.	200
(8)	Invert	Reverse the brightness and the colors in the image.	Black on White
(9)	Scan Source options	Select a scan source.	Automatic Document Feeder (ADF)
(10)	Page Size	Capture a portion of the document being scanned.	Automatic
(11)	Profile	Create or change scan profiles for frequently used scan settings.	Custom
(12)	Color Profile	Ensure accurate colors when scanning.	Document

Image Selection check boxes

Select the check boxes to customize the scan type. We added this sentence to clarify the difference between Image Selection check boxes and Image Selection group. For example, to scan both the front and back of a color document page in color, select the **Front Color** and **Back Color** check boxes. For a black and white scan of the front and a color scan of the back, select **Front B&W** and **Back Color**.

NOTE

- Select more than one image type check box to generate multiple scan results from a single scan. For example, if you select **Front Color** and **Front Gray**, and then scan your document, scan data in both color and gray is saved.
- If you select **Front Auto Detection**, you must select **Back Auto Detection** as a back image type, and vice versa. These two options work only with each other.

Image Selection group

The **Image Selection group** lets you configure detailed settings used when scanning in each color mode. Select an image type and customize detail settings. You can apply different settings to each image type.

6

Image Type	Description
Color	Select Color if your original is in color and you want an exact copy.
Gray	Select Gray if your original contains shades of gray.
B&W	Select B&W if your original is typed, written in pencil, or written in pen.
Auto Detection	Select Auto Detection to automatically detect and scan the front or back of your color document. If your document is in color, the scanner will automatically scan the document as a color image. If your document is not in color, choose either Black and White or Gray from the Non-Color Selection pop-up list. Use this option if your document is multi-page and includes both color and black and white.

Binarization / Document Type

This field name changes based on your choice in the **Image Selection group**.

■ Binarization (B&W mode only)

Binarization is the process of converting a grayscale or color image to a black and white image. There are several methods of performing this conversion.

Conversion Methods	Description
Dynamic Threshold	Select Dynamic Threshold to allow the scanner to dynamically evaluate each document to produce the highest quality image. Select this option to scan documents containing faint text, shaded background, or color background. If you select Dynamic Threshold: Threshold, Brightness, and Contrast are not available.
Fixed Processing	Select Fixed Processing for black and white and other high-contrast documents. A single level is set to determine the black and white transition. The threshold is programmable over the entire density range. If you select Fixed Processing, Contrast is not available.
Halftone 1-5	Select Halftone to view a gray image composed of different-sized dots. In other machines, this is sometimes called "Grayscale".

Conversion Methods	Description
Error Diffusion	Select Error Diffusion for a type of Halftone. Error Diffusion results in good image texture and makes text in images more legible than Halftone 1-5 , above.



Halftone



Diffusion

■ **Document Type (Gray mode only)**

When you select **Gray** as the image type for your scanned document, you can choose from three document types.

Document Type	Description
Document	Select Document if your original contains only text or a mixture of text and graphics. This is the optimal setting for regular business documents.
Photo	Select Photo if your original contains a photograph, to reproduce it in a vivid grayscale image.
Normal	Select Normal to adjust Brightness and Contrast manually.



Document
(Threshold: 230)



Photo



Normal

Sensitivity / Threshold

■ Sensitivity (available when you select **Dynamic Threshold**)

If your document contains small dots or speckles and you want to remove them, increase the sensitivity value by moving the bar to the right.

■ Threshold (available when you select **Fixed Processing** or **Document**)

A low threshold value produces a lighter image, and can be used to subdue backgrounds and unneeded information. A high threshold value produces a darker image, and can be used to help faint images stand out.

Brightness

Use the **Brightness** bar to lighten or darken an image. The greater the value, the clearer the image.

Contrast

Use the **Contrast** bar to adjust the range between the darkest and the lightest shades in the image. The greater the value, the greater the difference between light and dark.

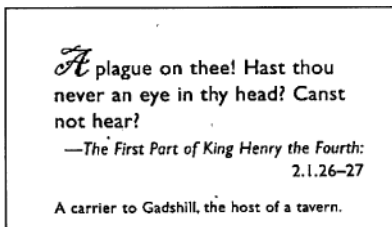
Resolution

Select a resolution value from the pop-up list. The greater the value, the higher the resolution, and larger the file size.

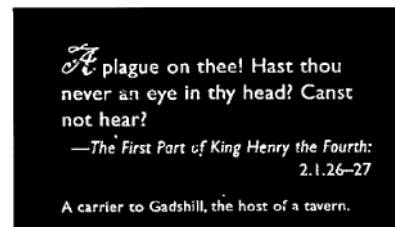
You can type a custom resolution value in the **Resolution** field.

Invert

Use **Invert** to reverse the brightness and the colors in the image. The default setting is **Black on White** background. To reverse this, select **White on Black**.



Black on White



White on Black

Scan Source

■ Automatic Document Feeder (ADF)

Use the ADF to scan multiple pages.

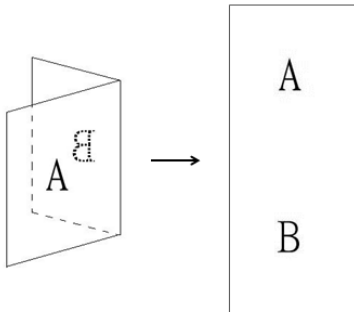
■ 2 in 1

Use **2 in 1** to scan documents wider than Letter/A4 size. The machine scans both sides of the folded document, and merges the images onto a single page.

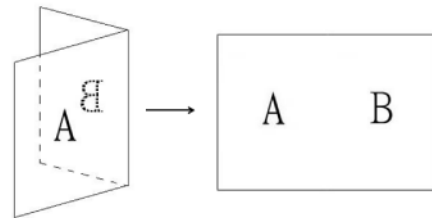
- **Merge Vertically** check box

Select this check box to align both sides horizontally.

Clear this check box to align both sides vertically.



Select **Merge Vertically**



Clear **Merge Vertically**

Page Size

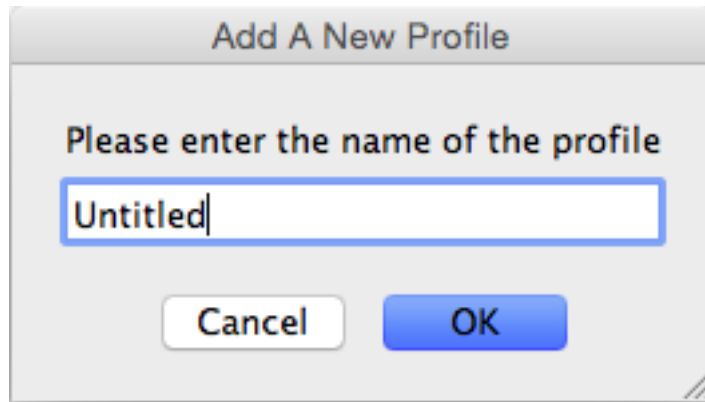
Choose the paper size you want from the pop-up list.

- Automatic
- US Legal - 8.5" × 14"
- US Letter - 8.5" × 11"
- Photo 6" × 4"
- Photo 5" × 3"
- ISO A4 - 210 × 297 mm
- ISO A5 - 148 × 210 mm
- ISO A6 - 105 × 148 mm
- ISO A7 - 74 × 105 mm
- ISO B5 - 176 × 250 mm
- ISO B6 - 125 × 176 mm
- ISO B7 - 88 × 125 mm
- JIS B5 - 182 × 257 mm
- JIS B6 - 128 × 182 mm
- JIS B7 - 91 × 128 mm
- Maximum Scan Length
- Long Page
- Custom

Profile

Click **Profile** to save your frequently used scan settings.
To create a scan profile:

- 1 Choose your scan settings using any of the tabs.
- 2 When finished, click the **Image** tab, and then click the button on the right of the **Profile** field. The **Add A New Profile** dialog box appears.



- 3 Type the name of the profile you want to save.
- 4 Click **OK**.
The new profile will appear in the **Profile** field and in the **Profile** pop-up list.

NOTE

- To delete a profile, select the profile from the pop-up list, click button, and click **OK**.
- To edit a profile, enter the name of the profile you wish to edit on the **Add a New Profile** dialog box and click **OK**.

Color Profile

Use the **Color Profile** settings to achieve accurate color reproduction for scans. This option uses the default ICC profile parameters to adjust the image colors. ICC profiles are used with color mapping, mainly in digital photography and printing.

■ Document

Select **Document** if your original contains only text or a mixture of text and graphics. This is an optimal setting for regular business documents.

■ None

Select **None** to disable the **Color Profile** option.

■ Photo

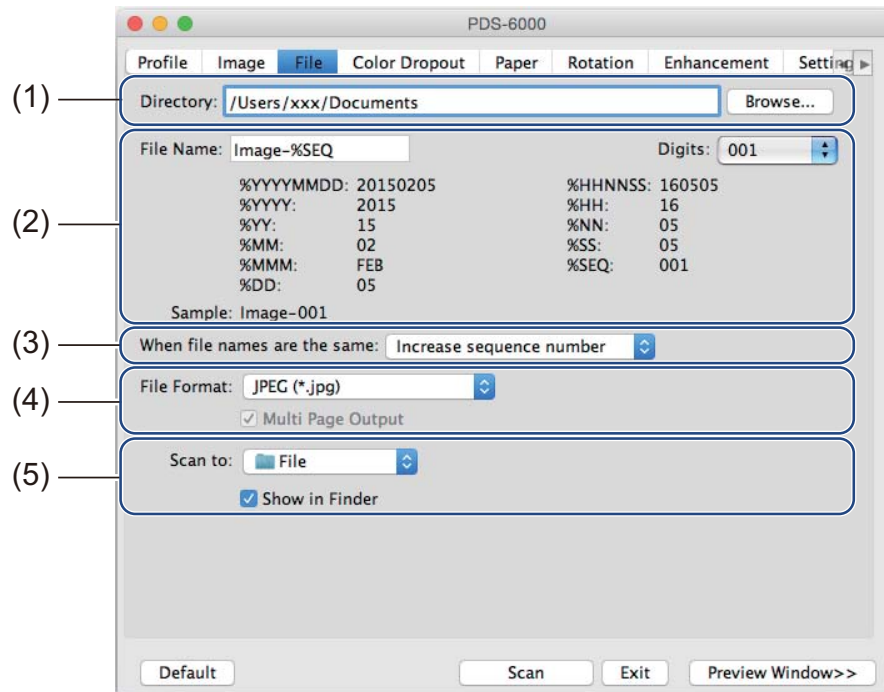
Select **Photo** if your document contains photos, and you want to reproduce your photos in vivid color.

■ Mix

Select **Mix** if your document contains a combination of text and graphics. The **Mix** option offers mid-range scan quality between **Document** and **Photo**.

File tab

Click the **File** tab to set the directory path, file name and file format of your scanned images.



No.	Name	Description	Default
(1)	Directory	Specify where you want to save scanned images.	/Users/xxx/Documents (where xxx is your user name)
(2)	File Name options	Specify the default file name of scanned images.	Image-%SEQ
(3)	When file names are the same	Select an operation to execute if the same file name exists in the directory.	Increase sequence number
(4)	File Format	Select a file format.	JPEG (*.jpg)
(5)	Scan to	Select where to automatically send the scanned image.	File

Directory

Click the **Browse** button to navigate to the directory where you want to save scanned images, or type a file location in the **Directory** field.

File Name options

You can customize the default file name using text and special symbols.

■ File Name

Type a file name using any text and any of the codes shown. For example, to name all scans “User1” with the month and year (that is, “User1-December, 2014”), type **User1-%MM%YYYY** in the **File Name** field.

■ Digits

Select the number of digits. This setting is available when %SEQ is set.

■ Sample

Displays an example of your file name.

When file names are identical

Choose an automatic action for the scanning software to execute if file names are duplicated in your default directory.

■ **Increase sequence number**

Increase the sequence number of the new scanned image file, and save both new and old files.

■ **Overwrite always**

Save only the new scanned image and overwrite the old one.

■ **Ask User**

Display a dialog box that prompts you to either increase the sequence number of the new file or overwrite the old file.

File Format

Select the file format you want from the pop-up list.

To save multiple documents as one file, select the **Multi Page Output** check box.

Scan to

Select **File**, **Application**, **E-mail**, or **Printer** from the pop-up list to specify where to send the scanned image file.

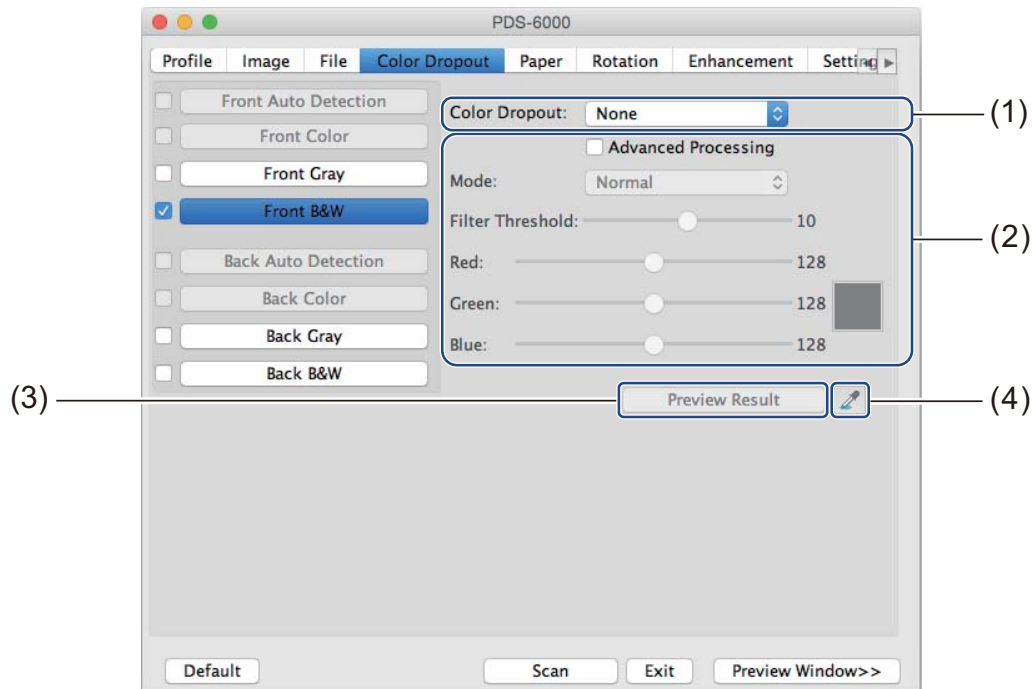
Select the **Show in Finder** check box to open the Finder and display the directory where the image is saved.

Color Dropout tab

Click the **Color Dropout** tab to remove the red, blue, or green color from your scanned image. If your image contains a red watermark or background, choose the **Red** channel to remove any red watermark or background color. This feature is useful for sharpening text when using OCR software.

NOTE

This function supports only black and white or gray documents.



No.	Name	Description	Default
(1)	Color Dropout	Select the color you want to remove from your scan.	None
(2)	Advanced Processing	Configure the advanced settings when removing a color.	(not selected)
(3)	Preview Result	Preview the result of current color dropout settings in the image preview window.	-
(4)	Color Picker	Select the dropout color from the preview image.	-

Color Dropout

Select one of the following from the **Color Dropout** pop-up list:


■ None

No color is removed.

■ Remove Red / Remove Green / Remove Blue

Removes red, green, or blue from the scan.

■ Custom

Manually adjust the RGB value of the color you want to remove, or select the dropout color from the preview image using Color Picker .

Advanced Processing

Select the **Advanced Processing** check box to adjust details that can optimize your scan result.

■ Mode

Select **Quality** to configure detailed settings for the filter threshold value. **Mode** is available only when **Remove Red**, **Remove Green**, **Remove Blue**, or **Automatic** is selected in the **Remove Color** drop-down list.

■ Filter Threshold (available when you select **None**, **Remove Red**, **Remove Green**, or **Remove Blue**)

This value determines how much color to remove. A lower value will drop more of the selected color, while a higher value will leave more of the selected color. **Filter Threshold** is available only when **Quality** is selected in the **Mode** drop-down list.

■ RGB values (available when you select **Custom**)


Displays the RGB value for the color selected at the image preview window. Adjust RGB values manually, if needed.

Preview Result

Click this button to preview your color dropout settings. Before using this feature you must preview your image by clicking the **Preview Window** button.

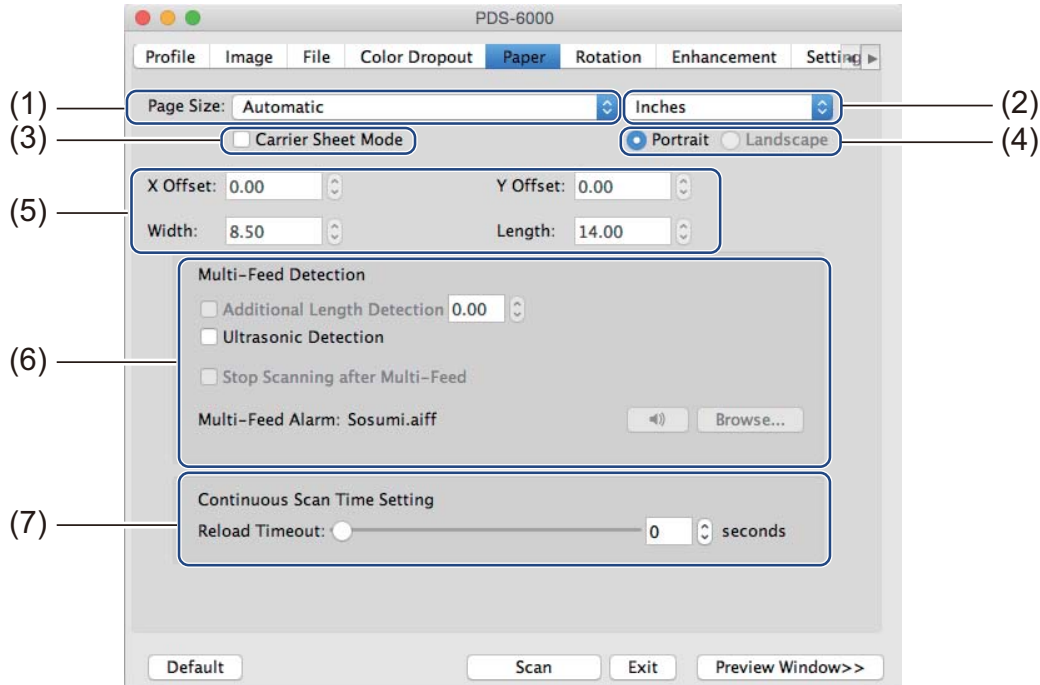
Color Picker

The Color Picker option is available only if you select **Custom** under **Color Dropout**, and only after you preview your image by clicking the **Preview Window** button. Select the dropout color from the preview image.

Click the  button, move the mouse over the preview image, and click on the color you want to remove. The RGB values for the selected color automatically populate the **Red**, **Green** and **Blue** fields.

Paper tab

Click the **Paper** tab to define values relating to image output, overlapping pages, and auto scan.



No.	Name	Description	Default
(1)	Page Size	Capture a portion of the document being scanned. When you select Automatic , scanned images are automatically deskewed if the images are crooked.	Automatic
(2)	Unit	Select the unit of measurement displayed from the available options.	(based on language)
(3)	Carrier Sheet Mode	Select this check box if using the Carrier Sheet.	(not selected)
(4)	Portrait / Landscape	Select your scanned document's layout.	Portrait
(5)	X-Offset / Y-Offset / Width / Length	Adjust the scanning area manually.	-
(6)	Multi-Feed Detection options	Configure options to detect documents that overlap when fed through the ADF.	OFF
(7)	Reload Timeout	Set the amount of time the scanner will wait before starting an auto scan, after the first scan job is completed.	0

Page size

Choose the paper size you want from the pop-up list.

- Automatic
- US Legal - 8.5" × 14"
- US Letter - 8.5" × 11"
- Photo 6" × 4"
- Photo 5" × 3"
- ISO A4 - 210 × 297 mm
- ISO A5 - 148 × 210 mm
- ISO A6 - 105 × 148 mm
- ISO A7 - 74 × 105 mm
- ISO B5 - 176 × 250 mm
- ISO B6 - 125 × 176 mm
- ISO B7 - 88 × 125 mm
- JIS B5 - 182 × 257 mm
- JIS B6 - 128 × 182 mm
- JIS B7 - 91 × 128 mm
- Maximum Scan Length
- Long Page
- Custom

Unit

Select **Millimeters**, **Inches**, or **Pixels** from the pop-up list. The default setting is based on your OS language.

Carrier Sheet Mode

Select this check box if using the Carrier Sheet.

NOTE

This option is available only when **Automatic** is selected in the **Page Size** pop-up list.

Portrait / Landscape

NOTE

Landscape cannot be selected when **US Legal**, **US Letter**, **A4**, **B5**, **Maximum Scan Length**, or **Long Page** is selected.

X-Offset / Y-Offset / Width / Length

You can adjust the scan area manually using the following values:

■ X-Offset

Adjust the distance from the left edge of the scanner to the left edge of the area in the document that you want to scan.

■ Y-Offset

Adjust the distance from the top edge of the document to the top edge of the area in the document that you want to scan.

■ Width

Adjust the width of the area in the document that you want to scan.

■ Length

Adjust the length of the area in the document that you want to scan.

Multi-Feed Detection options

Configure the **Multi-Feed Detection** options to detect documents that overlap when fed through the ADF. A multi-feed usually occurs due to stapled documents, adhesives on documents, or electrostatically charged documents.

■ Additional Length Detection

Additional Length Detection allows you to define the length of document being scanned by specifying the additional length exceeding scan area. A value of 0 indicates no additional length detection. Use the **Additional Length Detection** feature when scanning multiple same-size documents from the ADF.

If you select this detection method, scanning will not stop even if a multi-feed is detected.

■ Ultrasonic Detection

Ultrasonic Detection detects overlapping pages by measuring paper thickness.

If you select this detection method, scanning stops immediately upon multi-feed detection and a Warning appears on your computer monitor.

■ Stop Scanning after Multi-Feed

Select this check box to stop the feeder and display the Warning dialog box when a multi-feed is detected.

NOTE

- This option is available when you select **Additional Length Detection**.
- To stop scanning immediately when a multi-feed is detected, select the **Stop Scanning after Multi-Feed** check box.

■ Multi-Feed Alarm

Use this feature if you want your computer to emit an audible alarm if a multi-feed is detected.

To change the alarm sound, click **Browse...** and choose a wave file from your computer.

NOTE

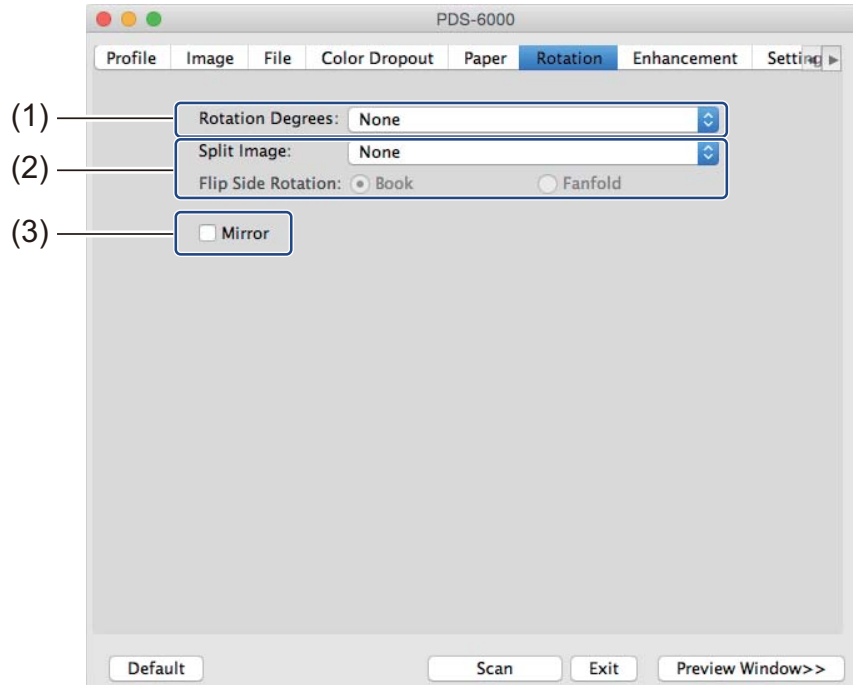
This feature is available when either **Additional Length Detection** or **Ultrasonic Detection** is selected.

Reload Timeout

Set the amount of time the scanner will wait before auto-scanning the next document after the scan job is completed. Use this feature if you load many separate documents in the ADF that must be scanned using the same scan settings.

Rotation tab

Click the **Rotation** tab to set specifications related to image rotation.



No.	Name	Description	Default
(1)	Rotation Degrees	Rotate the scanned image.	None
(2)	Split Image	Separate the scanned image.	None
(3)	Mirror	Reverse the right and left sides of your image.	(not selected)

Rotation Degrees

To rotate the scanned image, select the rotation angle from the pop-up list:

- None
- 90 degrees CW
- 180 degrees
- 90 degrees CCW
- Auto based on contents

If you select **Auto based on contents**, the scanner automatically rotates your document based on its contents.

Split Image

When you split an image, the scanner creates two separate images aligned either horizontally or vertically. This is useful for documents containing an image that spans two pages, because you can save both images as a single image on a single page.

- **None**

- **Horizontal**

- Divide a single image in half horizontally.

- **Vertical**

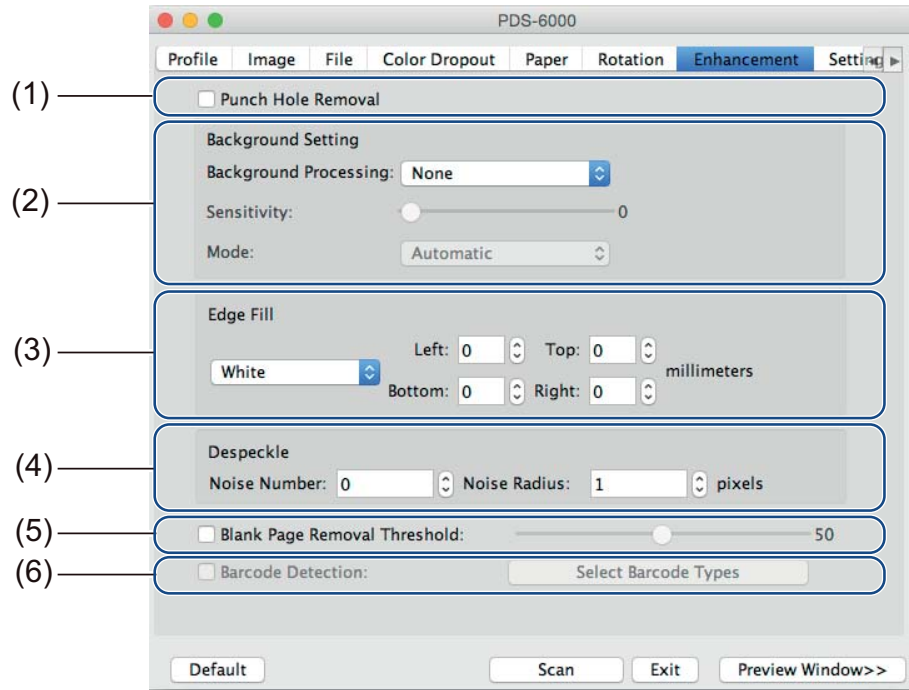
- Divide a single image in half vertically.

Mirror

Select the **Mirror** check box to reverse the right and left sides of your image.

Enhancement tab

Click the **Enhancement** tab to improve the appearance of your scanned image.



No.	Name	Description	Default
(1)	Punch Hole Removal	Remove punch hole markings.	(not selected)
(2)	Background Setting	Remove or smoothen the background color.	None
(3)	Edge Fill	Add a white or black edge around the border.	White Millimeters: 0
(4)	Despeckle	Remove small dots or specks from the background.	Noise Number: 0 Noise Radius: 1
(5)	Blank Page Removal Threshold	Remove any blank pages from the original document.	(not selected)
(6)	Barcode Detection	Detect and recognize barcodes; separate your multi-page document whenever a barcode is detected.	(not selected)

Punch Hole Removal

Select the **Punch Hole Removal** check box to remove punch hole markings on scanned images. This feature removes the punch hole markings by filling hole marks with the surrounding color.



Original



Punch Hole Removal

NOTE

Punch Hole Removal is available when the paper size is set to **Automatic**.

Background Setting

Specifying the **Background Setting** allows you to remove or smoothen the base color of scanned documents.

■ Background Processing

Select **None**, **Smooth** or **Removal** from the pop-up list. **Smooth** makes the background smooth, and **Removal** removes the background color.

■ Sensitivity

Move the **Sensitivity** slider to the left or right to adjust the sensitivity to base color or background. The greater the sensitivity value, the better the scan results but the slower the scanning speed.

■ Mode

This option is available only if you select **Smooth** under **Background Processing**, above. Select **Automatic** to allow the software to process the image automatically. Select **Moire** to reduce moire.

■ Fill Color

This option is available only if you select **Removal** under **Background Processing**, above. Select **White** to make the background white. Select **Automatic** to allow the software to detect the background color automatically and fill it in with the color.

Edge Fill

Select **White** or **Black** and set a value (in **millimeters**) to add a white or black edge around the border of your scanned image.

NOTE

- The maximum edge fill the value of the shorter side of a selected paper size. For example, if you select a Letter size, which is 8.5 × 11 in., the maximum value for the white edge or black edge is 4.25 in. (or half of 8.5 in.). If you have selected an A4 size, which is 210 × 297 mm, the maximum value for the white edge or black edge is 105 mm (half of 210 mm).
- If you set a value greater than the maximum allowed, the value automatically defaults to the maximum.
- To disable this feature, set the each value to 0.



Original

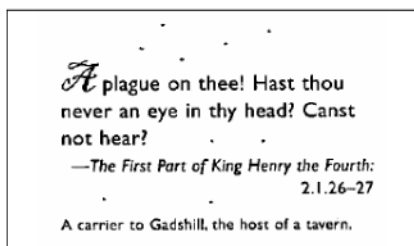


Edge Fill: 20 mm (Black)

Despeckle

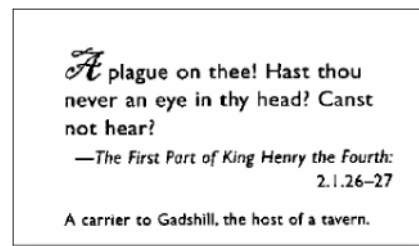
This function allows you to remove small dots or specks called “noise,” from the background of scanned images. Removing unwanted speckles provides a clear image for OCR processing, and helps to reduce compressed file size.

Define the noise you want to remove by specifying **Noise Number** (size) and **Noise Radius** (range).



Before Despeckle

(Noise Number: 0, Noise Radius: 1)



After Despeckle

(Noise Number: 22, Noise Radius: 10)

NOTE

Despeckle is available for black and white images only.

Blank Page Removal Threshold

Select the **Blank Page Removal** check box to remove blank pages from your scanned image. Move the slider to change the threshold, or level of pixels, that determines a blank page.

Barcode Detection

Select the **Barcode Detection** check box to split multi-page scanned files whenever a barcode is detected.

■ Select Barcode Types

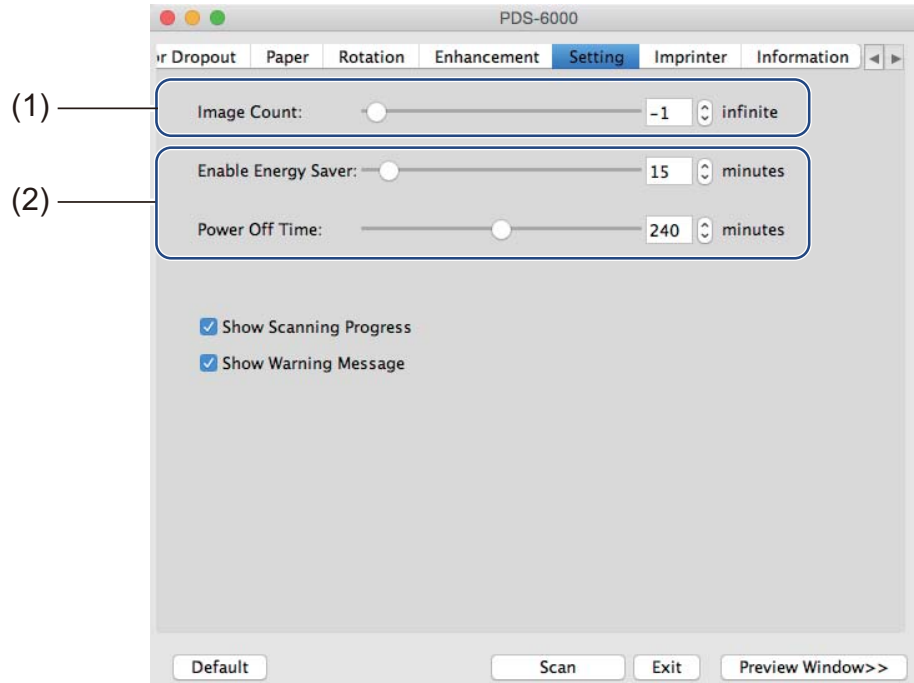
Click **Select Barcode Type** and select the barcode type(s) to specify the barcode type(s) that you want the scanning software to recognize.

NOTE

- This function is available only when the **File Format** setting on the **File** tab is set to **PDF** or **TIFF**, and **Multi Page Output** is selected.
 - When you use **Barcode Detection** to split documents, pages that contains barcodes will not appear in your scan results.
-

Setting tab

Click the **Setting** tab to configure additional scanning options.



No.	Name	Description	Default
(1)	Image Count	Specify the number of pages to scan.	Infinite
(2)	Energy Saver controls	Change settings related to saving energy.	Enable Energy Saver: 15 minutes Power Off Time: 240 minutes

Image Count

This option allows you to specify the number of pages to scan. For example, to scan only the first two pages of a document, move the page slider to **2**.

Energy Saver controls

■ Enable Energy Saver (Power Saving Mode)

Move the slider to set the amount of idle time before the scanner enters Power Saving Mode.

■ Power Off Time

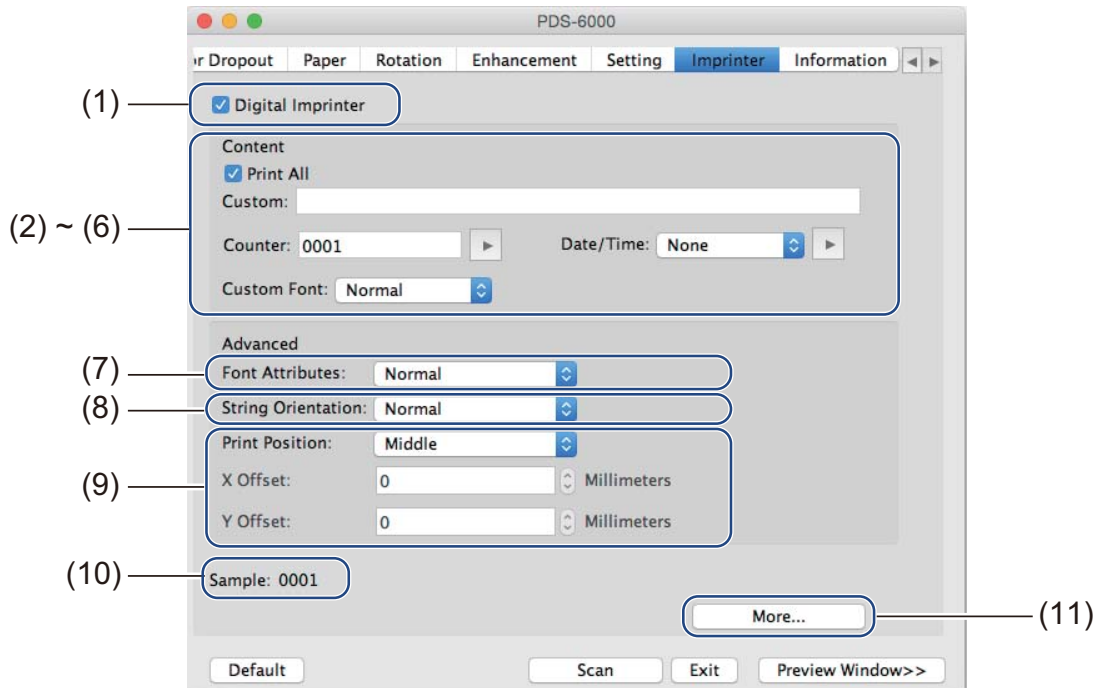
Move the slider to set the amount of idle time before the machine automatically powers off.

NOTE

- You cannot disable **Enable Energy Saver**.
- **Power Off Time** must be greater than or equal to **Energy Saver** time.

Imprinter tab

Click the **Imprinter** tab to print the date, time, document count, or a custom messages on your scanned image.



No.	Name	Description	Default
(1)	Digital Imprinter	Select to activate this feature.	(not selected)
(2)	Print All	Print on every page of the scanned image.	(selected)
(3)	Custom	Type the custom text to print on your scanned image.	-
(4)	Counter	Change the scan counter.	Number (such as 1234)
(5)	Date/Time	Change the date/time.	None
(6)	Custom Font	Select a font.	Normal
(7)	Font Attributes	Select a font attribute.	Normal
(8)	String Orientation	Select the print direction.	Normal
(9)	Print Position	Select a print position.	Middle
(10)	Sample	Preview your custom text.	-
(11)	More	Set advanced font settings.	Size: 5 Density: 0 Transparency: 0

Digital Imprinter

Select the **Digital Imprinter** check box to use the digital imprinter to print custom text on your scanned image.

Print All

Select the **Print All** check box to print the text on every page of the scanned image.
Clear the check box to print the text only on the first page of the scanned image.

Custom

Type the text you want in your print string (up to 31 characters).

Counter

Click to increase the scan counter.

The number of digits specified here will be displayed on the scanned image. For example, selecting Number (123456) will cause "000001" to be shown on the first page of the scanned image, "000002" on the second, "000003" on the third, and so forth.

Date/Time

Select **Date**, **Time**, or **Date+Time** to include the date and/or time in your print string.
Click to select a date and/or time separator from the pop-up list.

Custom Font

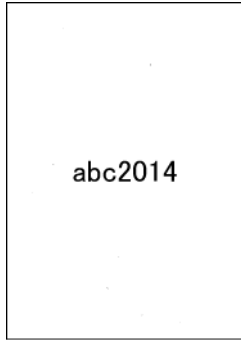
Select **Normal** or **Fixed Width** from the **Custom Font** pop-up list.
Fixed Width (monospace) fonts use a fixed character spacing, so each character occupies the same width.

Font Attributes

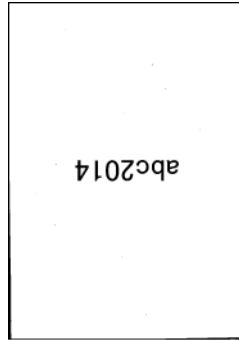
Select **Normal**, **Underline**, **Double**, or **Bold** from the **Font Attributes** pop-up list.

String Orientation

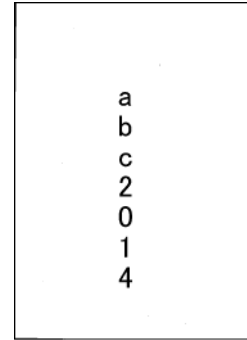
Select **Normal**, **Rotated**, **Vertical**, **Vertical Inversion**, **90 Degrees CW** (clockwise), or **90 Degrees CCW** (counter-clockwise), from the **String Orientation** pop-up list to specify the text's print direction.



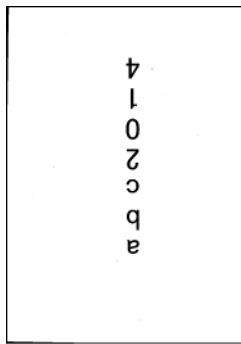
Normal



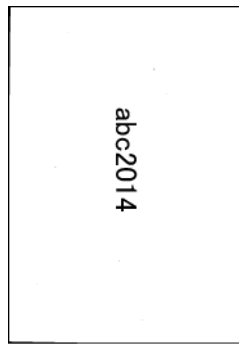
Rotated



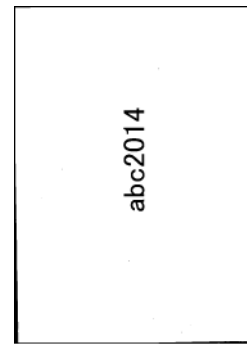
Vertical



Vertical Inversion



90 Degrees CW



90 Degrees CCW

Print Position

Select **Top**, **Middle**, **Bottom**, or **Custom** from the **Print Position** pop-up list.

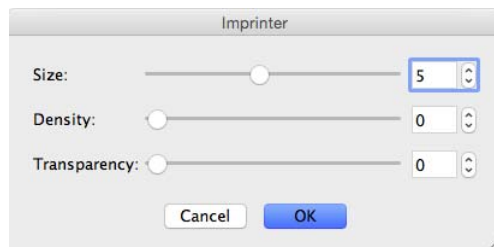
If you select **Custom**, enter the **X Offset** and **Y Offset** value to specify the text's start position.

Sample

Preview your text here.

More

Click the **More** button to select additional font properties.



■ Size

Move the slider to select font size (Default: 5).

■ Density

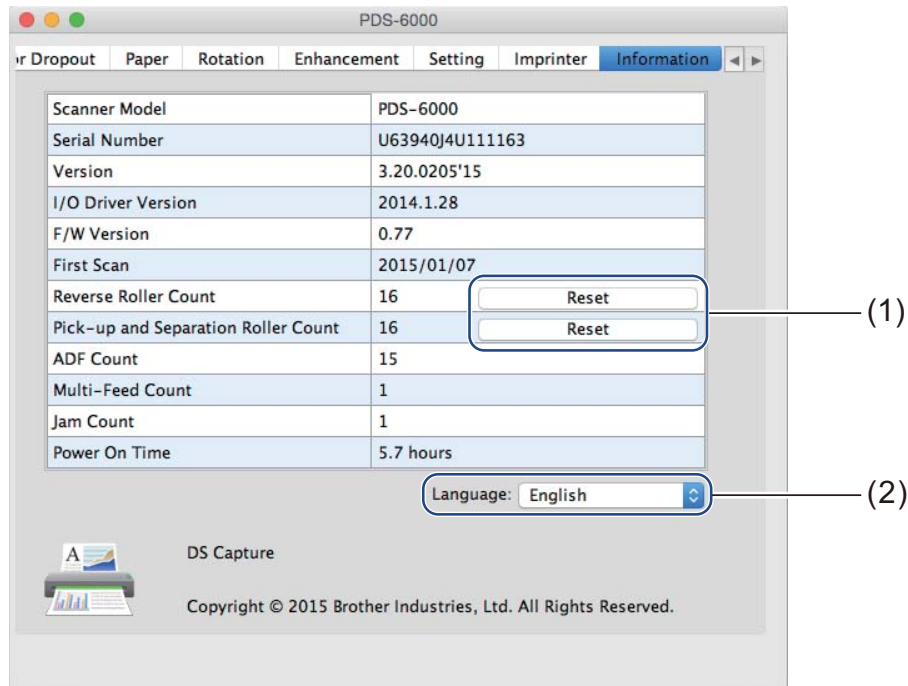
Move the slider to select font density (Default: 0).

■ Transparency

Move the slider to select a transparency value from 0% (not transparent) to 100% (completely transparent). This is useful if you want a partially transparent watermark.

Information tab

Click the **Information** tab to display system and scanner information, such as scanner driver version and firmware version. You can also view the Roller count and reset the count in this window.



No.	Name	Description	Default
(1)	Reset Roller Count	Reset the roller count.	-
(2)	Language	Change the language of the DS Capture user interface.	(based on OS language)

Reset Roller Count

After replacing the scanner rollers, click the **Reset** button to reset the roller count.

NOTE

Make sure you do not reset the counter unless you have replaced the rollers.

Language

Change the language of the DS Capture user interface, if needed.

7

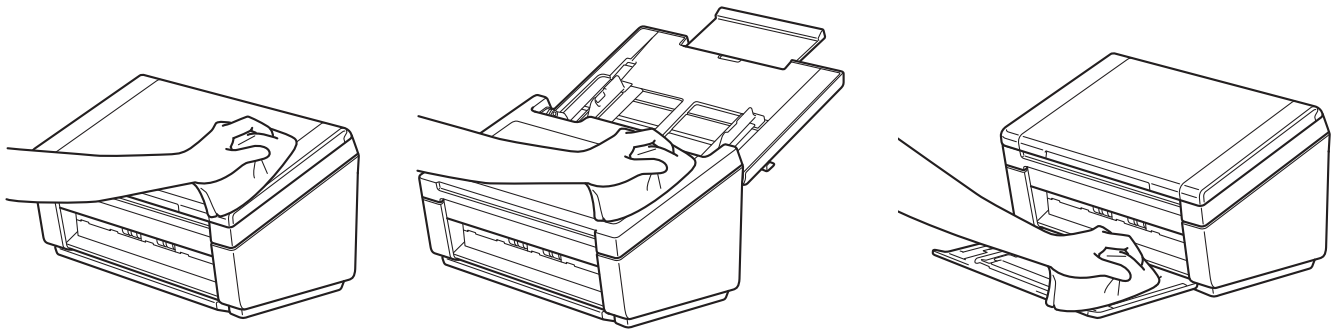
Scanner Maintenance

IMPORTANT

Do not use any solvents or corrosive liquids, such as alcohol or kerosene, to clean any part of the scanner, or the plastic may be permanently damaged.

Clean the outside of your scanner

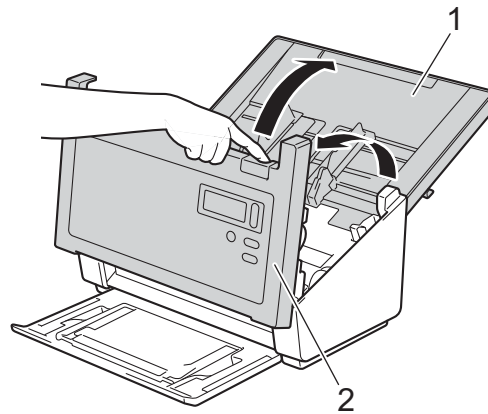
To prevent dust accumulation, we recommend cleaning the exterior of your scanner periodically. Wipe the outside of the scanner with a dry, soft, lint-free cloth.



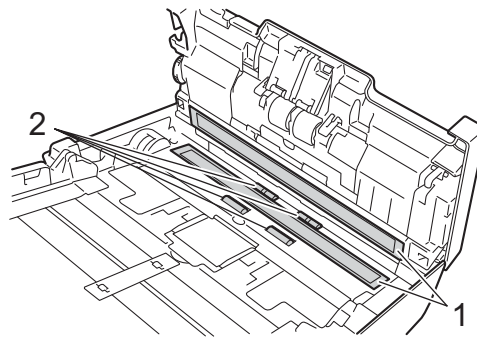
Clean the inside of your scanner

A spot of dirt or correction fluid on the glass strip may cause poor-quality scans. Clean the inside of the scanner if a vertical line appears in the scanned data, or if areas are missing in the scanned data.

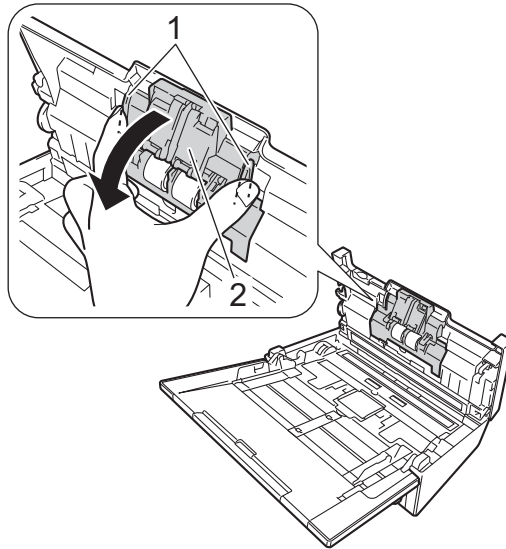
- 1 Unplug the machine from the AC power outlet.
- 2 Open the Top Cover (1) and the ADF Cover (2).



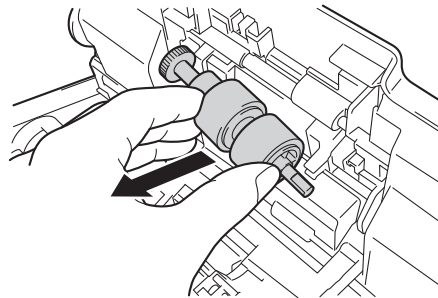
- 3 In the ADF unit, clean the glass strips (1) and feed rollers (2) with a soft lint-free cloth moistened with water.



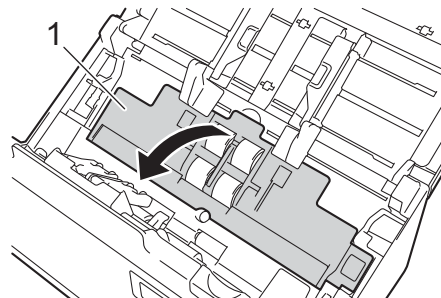
- 4 Press and hold the buttons (1) on the inside of the ADF Cover and then pull the Reverse Roller Cover (2) down.



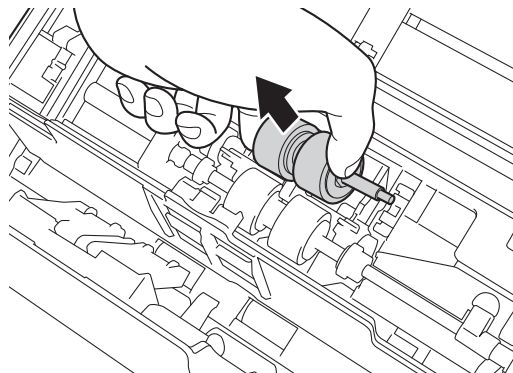
- 5 Pinch the Reverse Roller and pull it out of the machine.



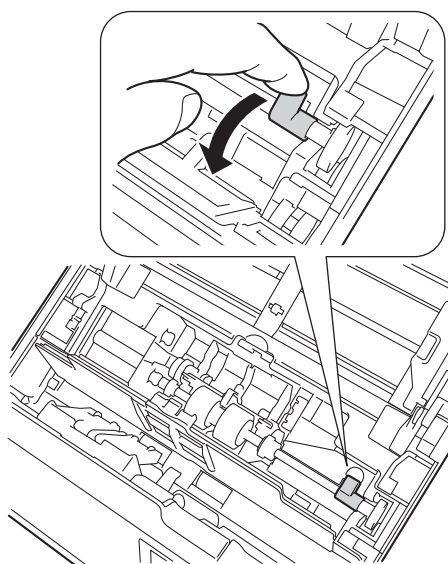
- 6 Clean the Reverse Roller with a soft lint-free cloth moistened with water.
- 7 Pinch the Reverse Roller and reinstall it in the machine.
- 8 Securely close the Reverse Roller Cover until the hooks snap into the ADF Cover.
- 9 Slide the document guides as far apart as possible and pull the Roller Cover (1) down.



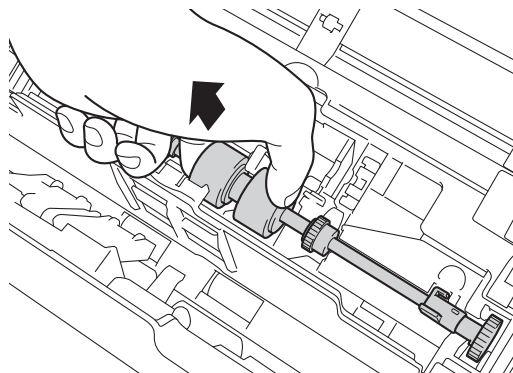
- 10 Pinch the Pick-up Roller and pull it out of the machine.



- 11 Pull the blue hook on the Separation Roller down.



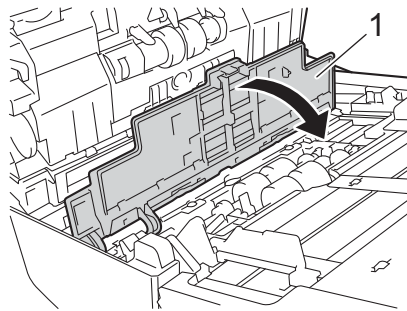
- 12 Pinch the Separation Roller and pull it out of the machine.



- 13 Clean the Pick-up Roller and the Separation Roller with a soft lint-free cloth moistened with water.
- 14 Pinch the Separation Roller and reinstall it in the machine.
- 15 Lift the blue hook that you pulled down in the step 11.



- 16 Pinch the Pick-up Roller and reinstall it in the machine.
- 17 Close the Roller Cover (1).



- 18 Close the ADF Cover and the Top Cover.

NOTE

In addition to cleaning the glass strips with a non-flammable glass cleaner, run your fingertip over the glass to see if you can feel anything on it. If you feel dirt or debris, clean the glass again concentrating on that area. You may need to repeat the cleaning process three or four times. To test, scan a document after each cleaning attempt.



When there is a spot of dirt or correction fluid on the glass strip, the scanned sample shows a vertical line.



After the glass strip is cleaned the vertical line is gone.

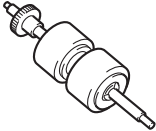
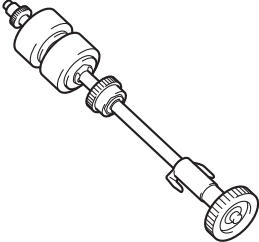
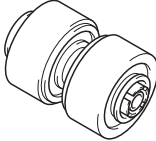
Replace parts

A warning message appears on your computer monitor when your scanner detects that scanner parts are nearing their end-of-life period. This section outlines the steps to follow when a warning appears.

If the warning message warns you to replace the Pick-up Roller, the Separation Roller, or the Reverse Roller, order parts and then replace the used parts with new ones.

Supply information

The following table lists part numbers and estimates for usage and replacement.

Part Name	Part No.	Standard Replacement Cycle
Pick-up Roller 		
Separation Roller 	PFK-P001	200,000 sheets or 5 years
Reverse Roller 		

NOTE

- Your replacement cycles may vary depending on the usage environment, types of documents, and scanning frequency.
- You should replace all three rollers at the same time, or the Roller Count value will be incorrect.

These parts are available at most Brother retailers. If you cannot find the part you need, you can order parts directly from Brother. Visit us online for a complete selection of the Brother parts and supplies.

In USA: 1-877-552-MALL (1-877-552-6255)
1-800-947-1445 (fax)

<http://www.brothermall.com/>

In Canada: <http://www.brother.ca/>


Other Countries: <http://www.brother.com/>

Check replacement cycle

Your Brother machine is equipped with a scan counter, which automatically counts how many pages the machine scans.

To check the scan count, follow these steps:

For Windows®:

- 1 Launch DS Capture.
- 2 Click  (Setup), and then click the **Information** tab.
- 3 Scroll down in the information window until you see **ADF Roller Count**, **ADF Simplex Count** or **ADF Duplex Count**.

For Macintosh:

- 1 Launch DS Capture.
- 2 Click the **Information** tab.
- 3 Check **ADF Roller Count**, **ADF Simplex Count** or **ADF Duplex Count**.

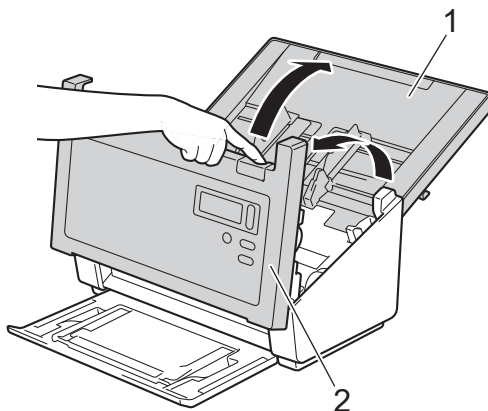
Replace the Rollers

When the machine scans 200,000 sheets, the machine will display a message “**Please replace the roller and reset the roller count.**” on your computer to remind you to replace the Rollers.

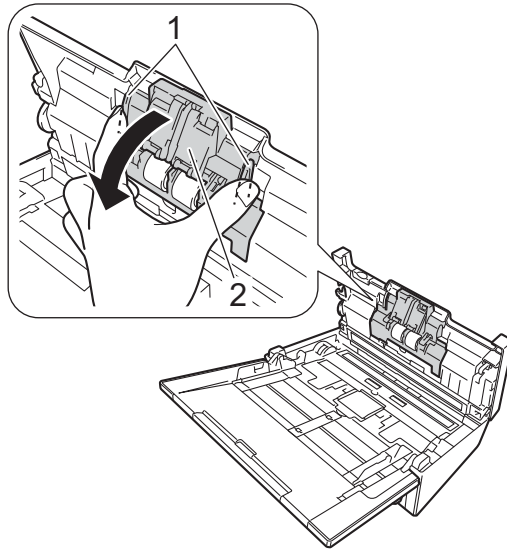
NOTE

You should replace all three rollers at the same time, or the Roller Count value will be incorrect.

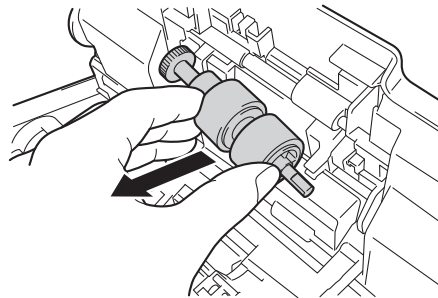
- 1 Open the Top Cover (1) and the ADF Cover (2).



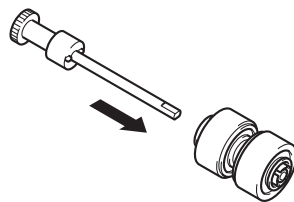
- 2 Press and hold the buttons (1) on the inside of the ADF Cover and then pull the Reverse Roller Cover (2) down.



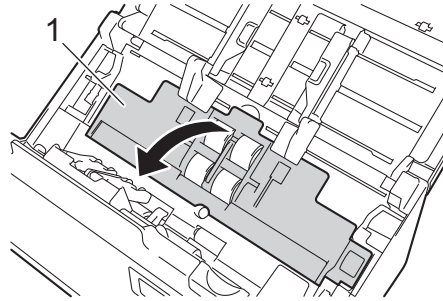
- 3 Pinch the Reverse Roller and pull it out of the machine.



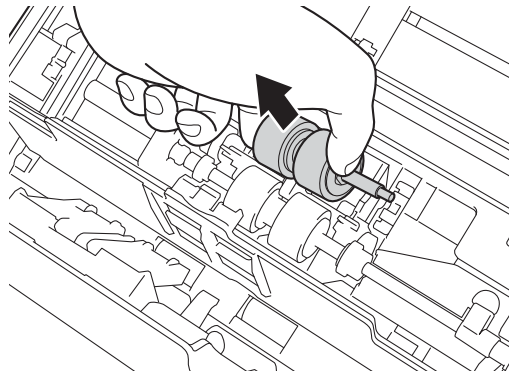
- 4 Remove the old Reverse Roller from the shaft and insert the new Reverse Roller all the way onto the shaft.



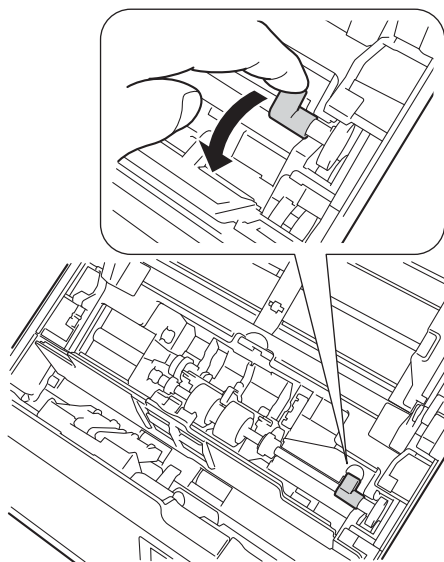
- 5 Pinch the new Reverse Roller and reinstall it in the machine.
- 6 Securely close the Reverse Roller Cover until the hooks snap into the ADF Cover.
- 7 Slide the document guides as far apart as possible and pull the Roller Cover (1) down.



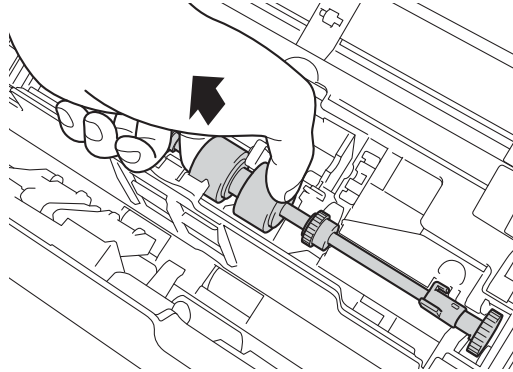
- 8 Pinch the Pick-up Roller and pull it out of the machine.



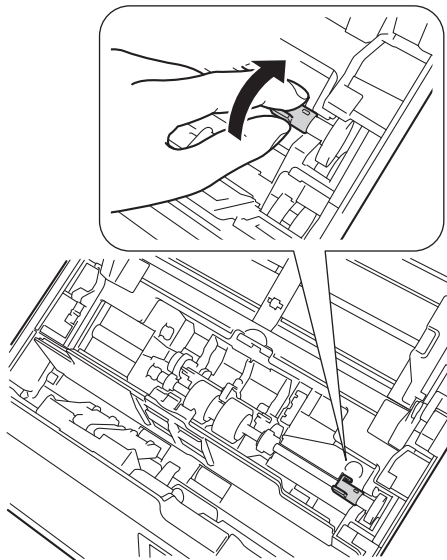
- 9 Pull the blue hook on the Separation Roller down.



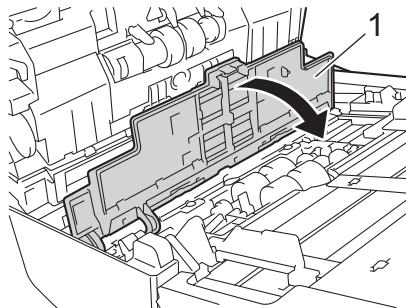
- 10 Pinch the Separation Roller and pull it out of the machine.



- 11 Pinch a new Separation Roller and reinstall it in the machine.
- 12 Lift the blue hook that you pulled down in the step 9.



- 13 Pinch a new Pick-up Roller and reinstall it in the machine.
- 14 Close the Roller Cover (1).




- 15 Close the ADF Cover and the Top Cover.
- 16 Reset the counter (see *Reset the usage counters* on page 103).

Reset the usage counters

After you have replaced scanner parts, reset the usage counter.

For Windows®:

- 1 Launch DS Capture.
- 2 Click  (Setup), and then click the **Information** tab.
- 3 Scroll down in the information window until you see **Reset Roller** button.
- 4 Click **Reset Roller Count** to reset the usage counter.

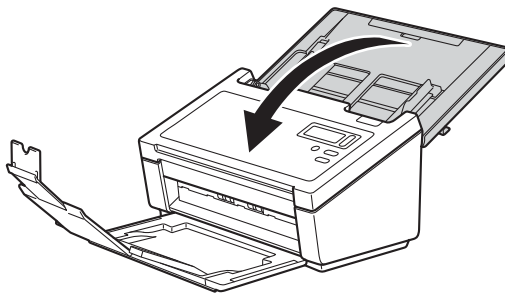
For Macintosh:

- 1 Launch DS Capture.
- 2 Click the **Information** tab.
- 3 Click **Reset** to reset the usage counter.

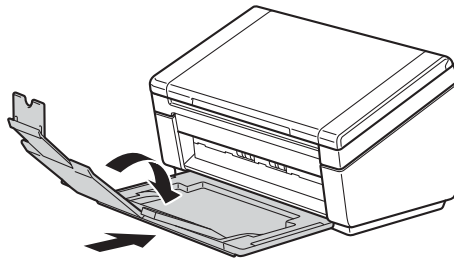
Packing and shipping the machine

When you transport the machine, use the packing materials that came with your machine. If you do not pack the machine properly, any damage that may occur in transit may not be covered by your warranty. The machine should be adequately insured with the carrier.

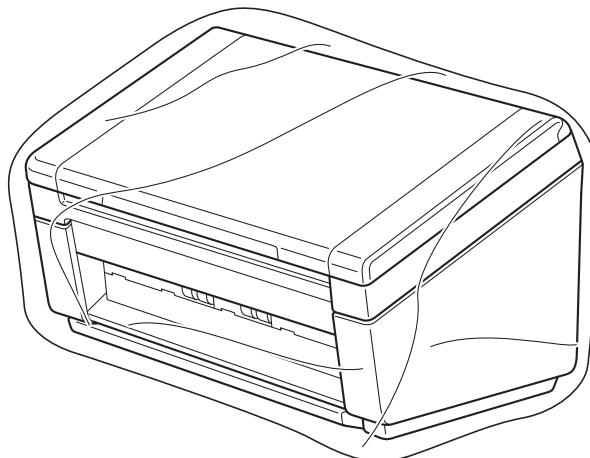
- 1 Close the Top Cover gently.



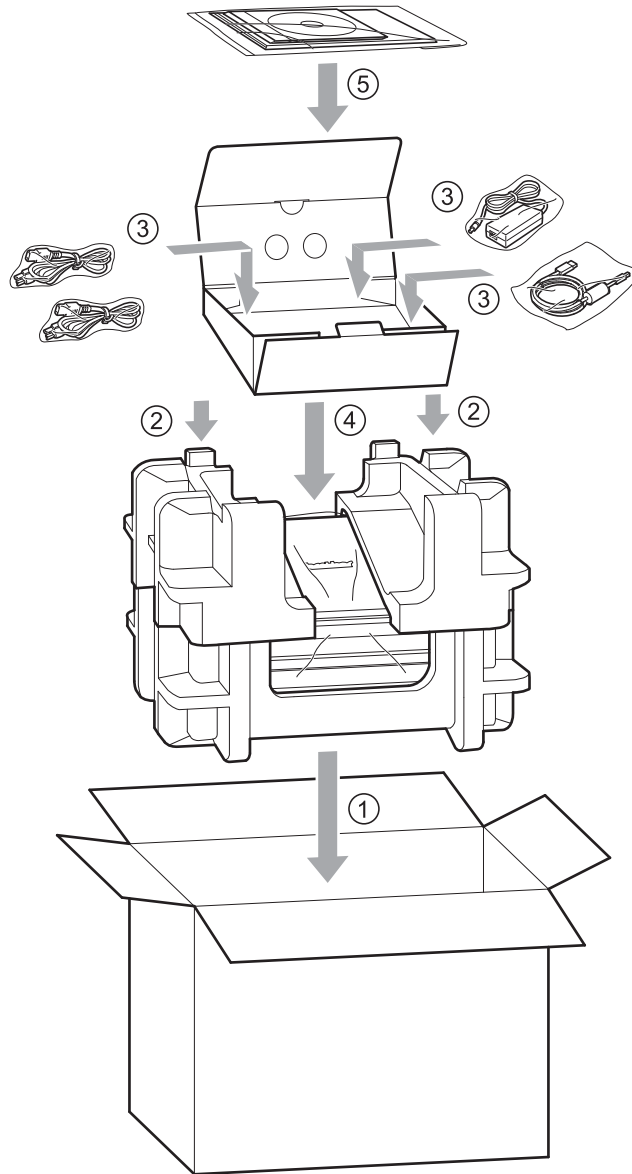
- 2 Close and push the Output Tray firmly back into the machine.



- 3 Wrap the machine in the bag it originally came in.



- 4 Pack the machine and the printed materials in the original carton with the original packing material as shown below.



NOTE

If you are returning your machine to Brother as part of the Exchange Service, pack only the machine. Keep all separate parts (power cord and USB cable) and printed materials to use with your “Exchange” machine.

- 5 Close the carton and tape it shut.

IMPORTANT

For technical help, you must contact the Customer Service center in the country where you bought the scanner. Calls must be made **from within** that country. For more information, see *For customer service* on page 123.

If you think there is a problem with your scanner, check the chart below and follow the suggestions.

You can correct most problems yourself. If you need additional help, visit the Brother Solutions Center at <http://support.brother.com>, click **FAQs & Troubleshooting**, and then navigate to your Model Name.

Using non-Brother supplies may affect scan quality, hardware performance and product reliability.

Error and maintenance messages

Messages displayed on LCD

Error message	Cause	Action
ADF cover open	ADF cover is open.	Close the ADF cover.
Document misfeed	After pressing Scan , the paper detect sensor is inactive for a certain time.	Align the edges of the pages and set your document correctly, then try again.
Document Jam/too Long	<ul style="list-style-type: none"> ■ The Document Guides are not set to the correct document size. ■ The settings are not suitable for your document. ■ Paper dust has accumulated on the surface of the Pick-up Roller or Feed Roller. 	<p>Clear the document jam (see <i>Document jam</i> on page 109) and then do the following:</p> <ul style="list-style-type: none"> ■ Adjust the Document Guides to fit the width of the document. When Scan Size is set to Auto and you are scanning a document that contains multiple page sizes, insert narrow pages straight and as close to the center of the machine as possible. If the document will not be fed straight, use Continuous Scanning. ■ Confirm the settings. See the <i>IMPORTANT</i> section on page 110. ■ Clean the rollers. See <i>Clean the inside of your scanner</i> on page 92.

Error message	Cause	Action
Multifeed error	Multiple pages were fed at the same time.	Remove the pages. See <i>Multi-feed</i> on page 111. Reload your documents in the ADF. See <i>Load documents</i> on page 9
	Using a Carrier Sheet.	Enable Carrier Sheet Mode, then try again. See <i>Carrier Sheet Mode</i> on page 38.
	Your document is not acceptable for the machine.	Make sure your document is suitable for the machine (see <i>Document Information</i> on page 5).
DRAM R/W test error	A hardware error has occurred.	Contact Brother Customer Service. For more information, see <i>For customer service</i> on page 123.
AFE R/W test error		
NVRAM R/W test error		
ADF front lamp error		
Ultrasonic error		
ADF AFE R/W test error		
USB R/W test error		
FlashROM R/W test error		
AFE LVDS test error		
ADF AFE LVDS test error		
ADF rear lamp error		

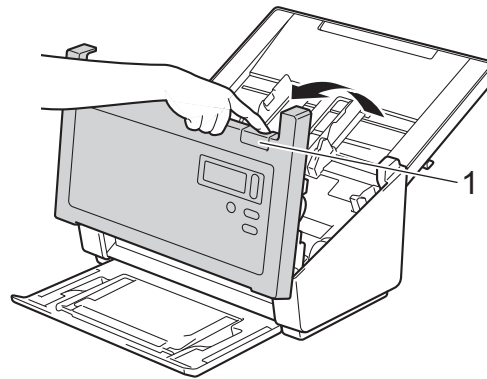
Messages displayed on your computer

Error message	Cause	Action
A document is jammed in the ADF.	A document is jammed.	Open the top cover and remove the document by pulling it backwards, then close the top cover.
Do not open the ADF cover when scanning.	Your scanner's top cover is open when scanning starts.	Close the top cover and start scanning again.
No document in ADF.	No document is set in the ADF.	Set your document in the ADF and start scanning again.
Cannot find the scanner.	Your scanner is not connected to your computer.	Confirm that the USB cable connecting the scanner to the computer is properly connected. By automatic power off function, the machine's power might be turned off automatically. Press Power button to turn the scanner ON.
Document misfeeds.	The document is not feeding correctly.	Remove the document, align the pages, and set it carefully in the ADF, then start scanning again.
Multifeed is detected.	Documents are multifeed.	Remove the remaining document from the ADF, set it carefully in the ADF, then start scanning again.
Unknown error.	-	Contact Brother customer service or your local Brother dealer. See <i>For customer service</i> on page 123.

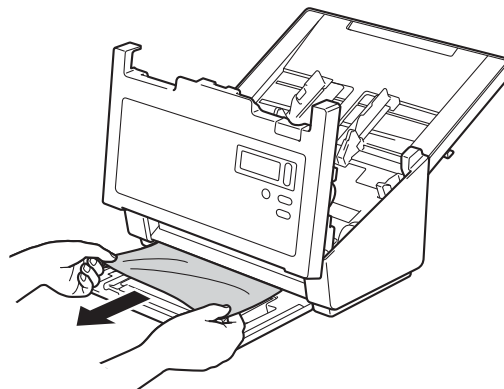
Document jam

Pages can jam in the ADF if they are not inserted or fed correctly, or if they are too long. Follow the steps below to clear a document jam.

- 1 Remove any paper from the ADF that is not jammed.
- 2 Open the ADF Cover by pulling the Cover Release Lever (1) toward you.



- 3 Pull the jammed document out of the machine.



NOTE

Check for ripped paper inside the machine. Remove any ripped paper you find.

- 4 Close the ADF Cover.
- 5 Confirm that the pages scanned before the jam occurred are saved in the designated folder, and then start scanning again at the next page (or the beginning of the document, if necessary).

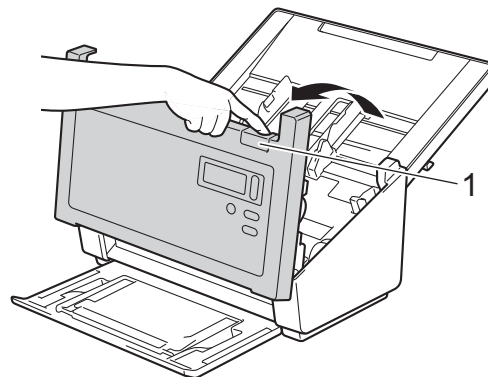
IMPORTANT

- To avoid damage to the jammed document, DO NOT pull the document out before opening the ADF Cover.
 - Remove any paper from the ADF before closing the ADF Cover.
 - To avoid future document jams, do the following:
 - Close the ADF Cover properly by pushing it gently in the middle.
 - Configure the settings for your document properly.
 - Clean the Rollers. See *Clean the inside of your scanner* on page 92
 - Stagger the pages and then load your document.
 - Make sure your document is suitable for the machine. See *Acceptable documents* on page 5.
 - Load the card vertically when scanning cards.
 - Select **Long Page** from the **Scan Area / Page Size** or **Page Size** drop-down list, under the **Paper** tab when scanning a long document.
-

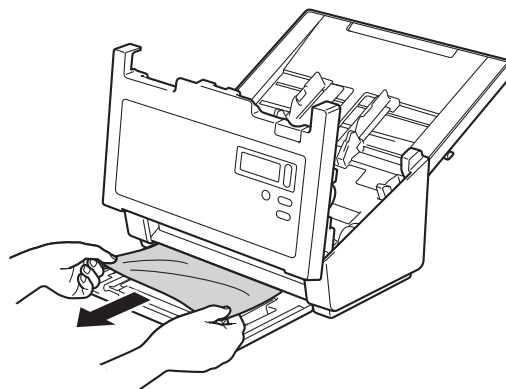
Multi-feed

A multi-feed error means that multiple pages were fed at the same time. To clear the multi-feed:

- 1 Remove any paper from the ADF.
- 2 Open the ADF Cover by pulling the Cover Release Lever (1) toward you.



- 3 Pull the multifed pages out of the machine.



- 4 Close the ADF Cover.
- 5 Confirm that the pages scanned before the multi-feed error occurred are saved in the designated folder, and then start scanning again at the next page (or the beginning of the document, if necessary).

IMPORTANT


- Remove any paper from the ADF before closing the ADF Cover.
 - To avoid future multi-feeds, do the following:
 - Disable the multi-feed detection when scanning business cards.
 - Select the **Carrier Sheet Mode** check box under the **Paper** tab when scanning using the Carrier Sheet.
-

Troubleshooting

Scanning difficulties

Difficulty	Cause	Suggestions
<p>TWAIN or WIA errors appear when starting to scan. (Windows[®])</p>	<p>The TWAIN or WIA driver was not chosen as the primary source in your scanning application.</p>	<p>Make sure the Brother TWAIN or WIA driver is chosen as the primary source in your scanning application. For example, in OmniPage SE 18, click Scan Settings and then Select to select the Brother TWAIN/WIA driver.</p>
<p>TWAIN errors appear when starting to scan. (Macintosh)</p>	<p>TWAIN driver was not chosen as the primary source in your scanning application.</p>	<p>Make sure the Brother TWAIN driver is chosen as the primary source. In PageManager 9, click File, Select Source and select the Brother TWAIN driver. OS X v10.8.x, 10.9.x, 10.10.x or later users can also scan documents using the ICA Scanner Driver.</p>
<p>My scanned images have black lines running through them, blank spaces, or are of overall bad quality.</p>	<p>This problem occurs if a foreign object, such as a paper clip or ripped paper, is stuck in the scanner.</p>	<p>Check the ADF slot and make sure that the slot is clear. If foreign objects are found, remove them from your scanner.</p>
<p>My scanned image is missing.</p>	<p>The Document Guides are not adjusted to fit the width of the document.</p>	<p>Adjust the Document Guide to fit the width of the document. When Cropping is set to Automatic (Deskew ON) and you are scanning a document that contains multiple page sizes, insert narrow pages straight and as close to the center of the machine as possible. If the document does not stay straight while feeding, use Continuous Scanning.</p>
	<p>The settings are not suitable for your document. For example, an A4 document is fed when Letter was selected as the document size.</p>	<p>Make sure the document size settings are suitable for your document. For Windows[®]: see <i>Paper tab</i> on page 37. For Macintosh: see <i>Paper tab</i> on page 76.</p>
<p>The scan speed is too slow.</p>	<p>The resolution is not suitable for your document.</p>	<p>Decrease the scanner resolution. For Windows[®]: see <i>Image tab</i> on page 28. For Macintosh: see <i>Image tab</i> on page 66.</p>

Difficulty	Cause	Suggestions
My scanner is connected but it will not feed my document or do anything else.	Your document is not set correctly.	Insert your document until you feel the top edge of the document touch the inside of your scanner.
	Your document is too thin or too thick.	Check that your document is acceptable (see <i>Document Information</i> on page 5). If your document is not the problem: 1. Confirm that the USB cable connecting your scanner to your computer is connected correctly. 2. Re-install the scanner driver from Brother's installation DVD.
	Paper dust has accumulated on the surface of the rollers.	Clean the rollers. See <i>Clean the inside of your scanner</i> on page 92.
	Too many documents are loaded in the ADF at a time.	Make sure your document is acceptable for the machine. See <i>Document Information</i> on page 5.
A multi-feed occurs.	There are foreign objects in the ADF.	Remove any foreign objects or ripped paper from the ADF.
	Paper dust has accumulated on the surface of the rollers.	Clean the rollers. See <i>Clean the inside of your scanner</i> on page 92.
	Too many documents are loaded in the ADF at a time.	Load no more than 100 pages at a time. See <i>Document Information</i> on page 5.
The document is jammed.	The document is sticky or has a sticky note on it, which caused a multi-feed.	Use the Carrier Sheet to scan the multifed document.
	Causes may vary.	Open the scanner's top cover and gently pull out the document. Make sure that no paper remains in the scanner.
	Your document is not acceptable for the machine (for example, if the paper is too long).	<ul style="list-style-type: none"> ■ Make sure your document is suitable for the machine (see <i>Document Information</i> on page 5). ■ Use the Carrier Sheet (see <i>Load documents using the Carrier Sheet</i> on page 13).
	Paper dust has accumulated on the surface of the rollers.	Clean the rollers. See <i>Clean the inside of your scanner</i> on page 92.
My scanner gets warm.	There are foreign objects in the ADF.	Remove any foreign objects or ripped paper from the ADF.
	It is normal for your scanner to emit a small amount of heat after prolonged use.	If there is a strange smell coming from the scanner or the scanner feels hot to the touch, immediately remove the power cord and USB cable from your scanner. Contact Brother customer service or your local Brother dealer. See <i>For customer service</i> on page 123.
The scan quality is poor.	Paper dust has accumulated inside your scanner.	Clean your scanner (see <i>Scanner Maintenance</i> on page 91).
	The scanner resolution is too low.	Increase the scanner resolution. For Windows®: see <i>Image tab</i> on page 28. For Macintosh: see <i>Image tab</i> on page 66.

Difficulty	Cause	Suggestions
Colors in the scanned image are dark.	The settings are not appropriate for the type of document being scanned.	Adjust the scan settings. For Windows®: see <i>Image tab</i> on page 28. For Macintosh: see <i>Image tab</i> on page 66.
A page that is not a blank page was skipped.	The document is too light, or Blank Page Removal is set to On.	Set Blank Page Removal to Off.
The scanned image is skewed (crooked).	The scanner's Document Guides are not adjusted to fit the width of the document.	Adjust the Document Guides to fit the width of the document. When Cropping is set to Automatic (Deskew ON) and you are scanning a document that contains multiple page sizes, insert narrow pages straight and as close to the center of the machine as possible. If the document does not stay straight while feeding, use Continuous Scanning.
	The Auto Deskew feature was set to Off when the document was scanned.	Set Cropping to Automatic (Deskew ON).
White vertical lines or white stripes appear on the scanned image.	The scanner is under direct sunlight.	Move the scanner out of direct sunlight.
	A light source is near the scanner.	Move the scanner far away from the light source.
Bleed-through is seen in the scanned image. 	Your document is too thin.	Check that your document is acceptable (see <i>Document Information</i> on page 5).
	The contrast setting is incorrect.	Increase the contrast level. For Windows®: see <i>Image tab</i> on page 28. For Macintosh: see <i>Image tab</i> on page 66.
	The Background Processing feature is set to Off.	Set Background Processing to On (see Background setting on <i>Enhancement tab</i> on page 49).

Software difficulties

Difficulty	Cause	Suggestions
When I click Scan in my scanning software, an error message appears: Cannot find the scanner or Operation system error .	This error message appears if your scanner is not recognized by your computer.	<ol style="list-style-type: none"> 1. Make sure your scanner is connected correctly. 2. Confirm that the USB cable is working and that it is not frayed or damaged in any way. <p>If the error still appears after verifying that the USB cable is connected correctly, reinstall the scanner driver from Brother's installation DVD.</p>
I cannot install the scanner drivers. (Windows®)	You may not have been given administrator privileges.	Log into Windows® with administrator rights.
I cannot install the scanner drivers. (Macintosh)	You may not have been given administrator privileges.	From the Apple menu, select System Preferences > System > Users & Groups . The left pane of the window will list the current accounts, one of which should be your name with the word "Admin" underneath. If this is <u>not</u> the case, contact your system administrator.
The file size is too large.	The size of the file will depend upon many factors. The physical size of the document and the amount of text / graphics on each page are factors that will affect the resulting file size. These factors cannot be changed.	<p>To produce the smallest scan file for a given document, use the lowest resolution and Black and White mode, and scan the smallest area possible. Using the opposite settings (scanned in the highest resolution, in the Color mode, and scanning the largest area possible) will produce the largest-sized file.</p> <p>For Windows®: see <i>Change scan settings using the TWAIN driver</i> on page 24.</p> <p>For Macintosh: see <i>Change scan settings using the TWAIN driver</i> on page 63.</p>

Other difficulties

Difficulty	Cause	Suggestions
I want to use a USB hub.	Causes may vary.	Use your scanner without connecting to a USB hub.

A

Appendix A

Specifications

General

		PDS-5000	PDS-6000
Memory Capacity	Standard	512 MB	
Power Source		100 - 240 V AC 50/60 Hz 24 V DC 2 A	
LCD (Liquid Crystal Display)		16 characters × 2 lines	
Power Consumption ¹	Scanning	Approx. 59.0 W	
	Ready	Approx. 19.0 W	
	Power Saving	Approx. 1.6 W	
	Power OFF	Approx. 0.3 W	

			PDS-5000	PDS-6000
Dimensions				
Weight			Approx. 4.7 kg	
Temperature		Operating	5 to 35 °C	
Humidity		Operating	20 to 80 %	
		Storage	10 to 90 %	
ADF (automatic document feeder)			Up to 100 pages (Paper: 80 g/m ²)	
Document Size	Multiple Paper	Width	51 to 218 mm	
		Length	54 to 356 mm	
	Single Paper	Width	51 to 218 mm	
		Length	1-sided scan 54 to 5,994 mm ² 2-sided scan 54 to 356 mm	

¹ Measured when the machine is connected to your computer.

² For a 200 dpi scan

Scanner

		PDS-5000	PDS-6000
Color / Black		Yes / Yes	
Duplex Scan		Yes	
TWAIN Compliant	Windows®	Windows® XP ¹ / Windows Vista® / Windows® 7, 8, 8.1	
	Macintosh	OS X v10.8.x, 10.9.x, 10.10.x or later ²	
WIA Compliant	Windows®	Windows® XP ¹ / Windows Vista® / Windows® 7, 8, 8.1	
ICA Compliant	Macintosh	OS X v10.8.x, 10.9.x, 10.10.x or later ²	
ISIS™ Compliant	Windows®	Windows® XP ¹ / Windows Vista® / Windows® 7, 8, 8.1	
Color Depth	Input	48 bit color processing	
	Output	24 bit color processing	
Resolution	Optical	Up to 600 × 600 dpi	
	Interpolated	Up to 600 × 600 dpi	
Scanning Width		Up to 216 mm	
Gray Scale		8 bit	
Scanning Max. Speed³	Mono	60 ppm (200 / 300 dpi) 15 ppm (600 dpi)	80 ppm (200 / 300 dpi) 20 ppm (600 dpi)
	Color	60 ppm (200 / 300 dpi) 15 ppm (600 dpi)	80 ppm (200 / 300 dpi) 20 ppm (600 dpi)
Duplex Scanning Max. Speed³	Mono	60 ppm / 120 ipm (200 / 300 dpi) 15 ppm / 30 ipm (600 dpi)	80 ppm / 160 ipm (200 / 300 dpi) 20 ppm / 40 ipm (600 dpi)
	Color	60 ppm / 120 ipm (200 / 300 dpi) 15 ppm / 30 ipm (600 dpi)	80 ppm / 160 ipm (200 / 300 dpi) 20 ppm / 40 ipm (600 dpi)

¹ Windows® XP in this User's Guide includes Windows® XP Home Edition and Windows® XP Professional.

² For the latest driver updates for the Mac OS X version you are using, visit us at <http://support.brother.com>

³ Actual speed may be slower, depending on your computer specifications and scan settings.

Interfaces

USB	Super Speed USB 3.0 ^{1, 2} Use a USB 3.0 cable (Type B) that is no more than 5.9 feet (1.8 meters) long.
-----	--

¹ Your scanner has a Hi-Speed USB 3.0/USB 2.0/USB 1.1/USB 1.0 interface. The scanner can also be connected to a computer that has a USB 2.0/USB 1.1/USB 1.0 interface.

² Third party USB ports are not supported.

Supported languages

Display Languages	English, French, German, Italian, Spanish, Portuguese, Dutch, Norwegian, Swedish, Danish, Russian, Czech, Hungarian, Polish, Bulgarian, Romanian, Slovakian, Finnish
-------------------	--

The default setting displayed on the scanner's LCD is based on the connected computer's OS language. If the OS language is not one of the supported languages as listed in the table above, the LCD displays English.

Computer requirements

SUPPORTED OPERATING SYSTEMS AND SOFTWARE FUNCTIONS							
Computer Platform & Operating System Version		Processor Minimum Speed	Minimum RAM	Recommended RAM	Hard Disk Space to install		Supported PC Interface
					For Drivers	For Applications	
Windows® Operating System	Windows® XP Home Windows® XP Professional	Intel® Core™ 2 Duo or equivalent	1 GB	2 GB	50 MB	1.5 GB	USB
	Windows® XP Professional x64 Edition	64-bit (Intel® 64 or AMD64) supported CPU	1 GB	2 GB			
	Windows Vista®	Intel® Core™ 2 Duo or equivalent 64-bit (Intel® 64 or AMD64) supported CPU	1 GB	2 GB	50 MB	1.5 GB	
	Windows® 7	Intel® Core™ 2 Duo or equivalent 64-bit (Intel® 64 or AMD64) supported CPU	1 GB (32-bit) 2 GB (64-bit)	2 GB (32-bit) 4 GB (64-bit)	50 MB	1.5 GB	
	Windows® 8 / 8.1	Intel® Core™ i3 or equivalent 64-bit (Intel® 64 or AMD64) supported CPU	1 GB (32-bit) 2 GB (64-bit)	2 GB (32-bit) 4 GB (64-bit)	50 MB	1.5 GB	
Macintosh Operating System	OS X 10.8.x	Intel® Processor	2 GB	4 GB	50 MB	400 MB	USB
	OS X 10.9.x	Intel® Processor	2 GB	4 GB			
	OS X 10.10.x	Intel® Processor	2 GB	4 GB			

For the latest driver updates, visit <http://support.brother.com>, navigate to your product's page, and click **Downloads**.

All trademarks, brand and product names are property of their respective companies.

Contact Brother

IMPORTANT

For technical help, contact the Customer Service center in the country where you bought the scanner. Calls must be made **from within** that country. For more information, see *For customer service* on page 123.

Register your product

By registering your product with Brother International Corporation, you will be recorded as the original owner of the product. Your registration with Brother:

- may serve as confirmation of the purchase date of your product should you lose your receipt,
- may support an insurance claim by you in the event of product loss covered by insurance,
- will help us notify you of enhancements to your product and special offers.

Complete and fax the Brother Warranty Registration And Test Sheet or, for your convenience and most efficient way to register your new product, register online at

<http://www.brother.com/registration/>

Frequently Asked Questions (FAQs)

The Brother Solutions Center is our one-stop resource for all your Brother machine needs. You can download the latest software documents and utilities, read FAQs and troubleshooting tips, and learn how to get the most from your Brother product.

<http://support.brother.com>

- Check here for Brother driver updates.
- To keep your machine's performance up to date, check here for the latest firmware upgrade.

For customer service

- In USA:** <http://www.brother-usa.com/service/>
1-877-BROTHER (1-877-276-8437)
1-901-379-1215 (fax)
For the location of a Brother authorized service center, call 1-877-BROTHER (1-877-276-8437).
- In Canada:** www.brother.ca/support
(Self-Service, Videos, Email, Chat, Facebook and Twitter Help)

If you have comments or suggestions, please write us at:

- In USA:** Printer Customer Support
Brother International Corporation
7905 North Brother Boulevard
Bartlett, TN 38133
- In Canada:** Brother International Corporation (Canada), Ltd.
- Marketing Dept.
1, Rue Hotel de Ville Dollard-des-Ormeaux, PQ, Canada H9B 3H6

Other Countries: Visit <http://www.brother.com/> for contact information for your local Brother office.

B

For Brother accessories & supplies

- In USA:** <http://www.brothermall.com/>
- In Canada:** <http://www.brother.ca/>
- In UK:** <http://www.brother.co.uk/>
- Other Countries:** Visit <http://www.brother.com/> for contact information for your local Brother office.

Technical support (for PageManager)

For USA

Company name: NewSoft America Inc.
Postal Address: 47102 Mission Falls Court, Suite 202 Fremont CA 94539
Telephone: 510-770-8900
Fax: 510-770-8980
E-mail Address: contactus@newsoftinc.com
URL: <http://www.newsoftinc.com>

For Canada

E-mail Address: contactus@newsoftinc.com

Other countries

E-mail Address: tech@newsoft.eu.com

NOTE

For all other issues, see *For customer service* on page 123.

Free Manuals Download Website

<http://myh66.com>

<http://usermanuals.us>

<http://www.somanuals.com>

<http://www.4manuals.cc>

<http://www.manual-lib.com>

<http://www.404manual.com>

<http://www.luxmanual.com>

<http://aubethermostatmanual.com>

Golf course search by state

<http://golfingnear.com>

Email search by domain

<http://emailbydomain.com>

Auto manuals search

<http://auto.somanuals.com>

TV manuals search

<http://tv.somanuals.com>