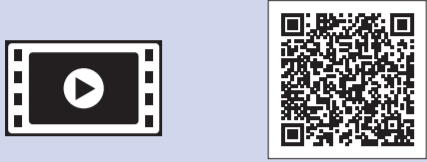
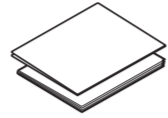
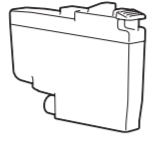
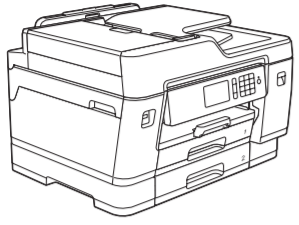


1 Unpack the machine and check the components

The components included in the box may differ depending on your country. Remove the protective tape or film covering the machine.



Watch our FAQ videos for help with setting up your Brother machine. support.brother.com/videos

Inbox Ink Cartridges*

- Black
 - Yellow
 - Cyan
 - Magenta
- *Inbox ink cartridges contain the following yield of replacement LC3237 cartridges:
- Black: approx. 75% yield
- Others: approx. 65% yield
➤ *Reference Guide: Supply Specifications*

Quick Setup Guide Product Safety Guide



Brother Installation Disc



Maintenance Sheet

NOTE

- The *Reference Guide* for these models is available on the enclosed installation disc.
- Most of the illustrations in this *Quick Setup Guide* show the MFC-J6945DW.
- Save all packing materials and the box in case you must ship your machine.
- **You must purchase the correct interface cable for the interface you want to use.**

USB cable

Use a USB 2.0 cable (Type A/B) that is no more than 5 metres long.

Ethernet (Network) cable

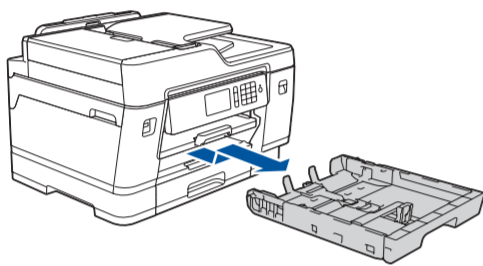
Use a straight-through Category 5 (or greater) twisted-pair cable for 10BASE-T or 100BASE-TX Fast Ethernet Network.

Secure Network Access

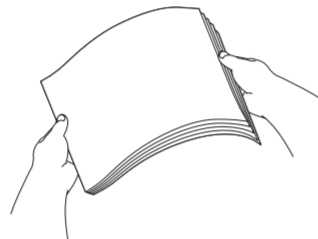
Your machine's default password is **initpass**. We recommend you change it to protect your machine from unauthorised access.

2 Load plain A4 paper

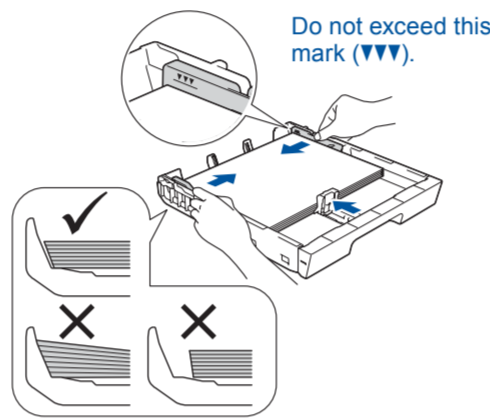
For more information about paper handling and sizes, see the *Reference Guide*.



Pull the paper tray completely out of the machine as shown by the arrow.

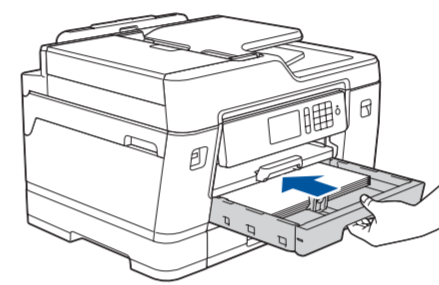


Fan the paper well.

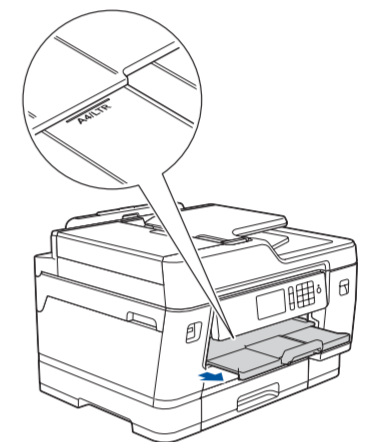


Adjust the paper guides.

Load the paper in the tray.

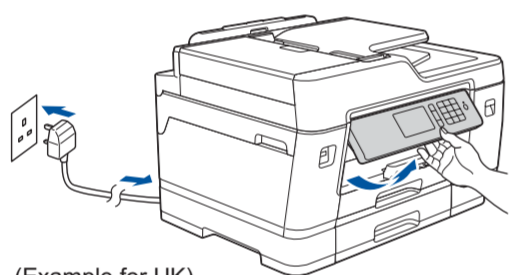


Slowly push the paper tray completely into the machine.



Pull out the paper support until it locks into place.

3 Connect the power cord



(Example for UK)

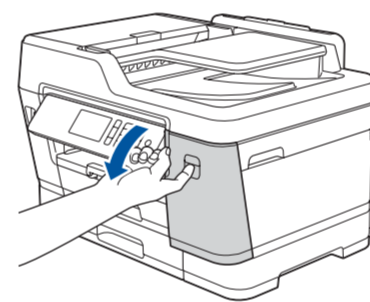
NOTE

You can adjust the control panel angle to read the touchscreen more easily.

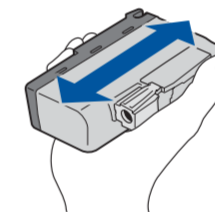
4 Select your country or language (Initial setup only)

After turning the machine on, you may need to set your country or language (depending on your machine). If required, follow the touchscreen instructions.

5 Install the inbox ink cartridges



Open the ink cartridge cover.



Quickly shake just the **black** ink cartridge horizontally 15 times as shown, before inserting it into the machine.

Follow the touchscreen instructions to unpack and install the ink cartridges. Close the ink cartridge cover. The machine will prepare the ink tube system for printing.

NOTE

The first time you install a set of ink cartridges the machine will use an amount of ink to fill the ink delivery tubes for high quality printouts. This process will only happen once.

6 Set the date and time

Follow the touchscreen instructions to set the date and time.

7 Machine settings

Follow the touchscreen instructions to configure the machine's settings:

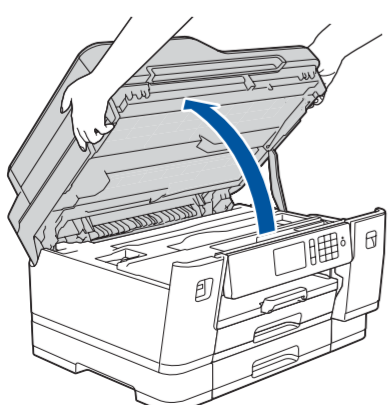
- View operation tips
- Set Brother LCD Message defaults
- Check print quality
- Configure the tray or paper size settings
- Print the installation sheet

8 Select your language (if needed and only for certain models)

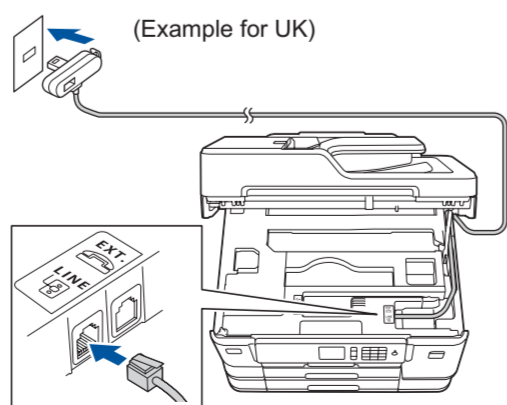
1. Press [Settings] > [All Settings] > [Initial Setup] > [Local Language].
2. Press your language.
3. Press .

9 Connect the telephone line cord

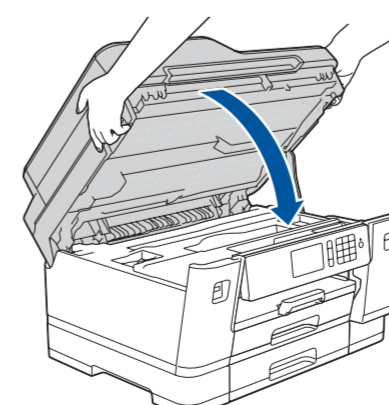
If you are not using your machine as a fax, go to **10**. For more information on using the fax feature, see the *Online User's Guide*.



Lift the scanner cover.



Connect the telephone line cord. Use the socket marked **LINE** and guide the cord out the back of the machine.



Close the scanner cover.



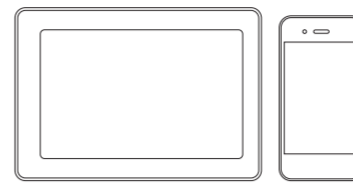
10 Select a device to connect to your machine

Computer



Go to **11** and follow the instructions.

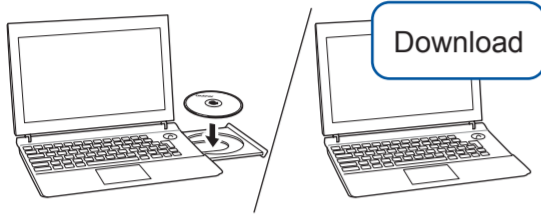
Mobile Device



Go to **12** and follow the instructions.

11 Connect your computer

Brother regularly updates firmware to add features and apply bug fixes. To check for the latest firmware, visit support.brother.com/up7.



Follow the on-screen instructions and prompts.

Put the installation disc into your CD/DVD drive, or download the Full Driver & Software Package at:

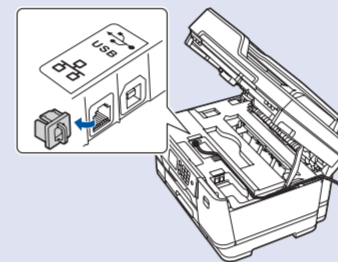
For Windows®: support.brother.com/windows
For Mac: support.brother.com/mac

If you are using a recently released operating system on your computer, visit the above websites for updated driver and software information.

For Windows®:
If the Brother screen does not appear automatically, go to **Computer (My Computer/This PC)**. Double-click the CD/DVD-ROM icon, and then double-click **start.exe**.

For Mac:
For full driver functionality, we recommend choosing the **CUPS driver** when adding a printer.

For Wired Network Connection and USB Connection:
Locate the correct port (based on the cable you are using) inside the machine as shown.



Finished

Can't Connect? Check the following:

Wireless network

Restart your wireless access point/router (if possible).

Wired network
USB connection

Disconnect the cable.

Restart your machine and computer, and then go to **11**.

If still not successful, go to **12**.

If still not successful, visit support.brother.com for FAQs and Troubleshooting.

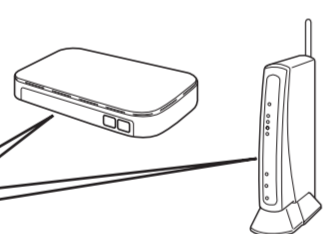
12 Alternative wireless setup

Even if you do not have a wireless access point/router, you can connect your device and your machine directly. For additional wireless network support, go to support.brother.com/wireless-support.

Find your SSID (Network Name) and Network Key (Password) on your wireless access point/router and write them in the table provided below.

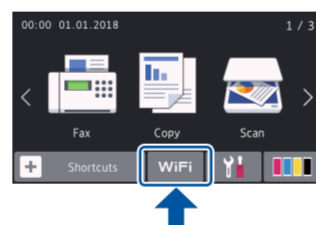
SSID (Network Name)	
Network Key (Password)	

SSID: XXXXXXXX
Network key: XXXX



If you cannot find this information, ask your network administrator or wireless access point/router manufacturer.

Go to your machine, and press **WiFi** > [Setup Wizard] > [Yes].



Select the SSID (Network Name) for your access point/router and enter the Network Key (Password).

When the wireless setup is successful, the touchscreen displays [Connected].

If setup is not successful, restart your Brother machine and your wireless access point/router, and repeat **12**.

For Computer

Go to **11** to install software.

For Mobile Device

Go to **13** to install apps.

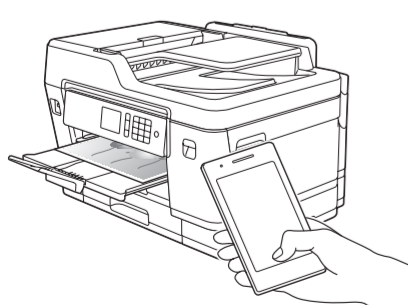
13 Print or scan using your mobile device

Your mobile device must be connected to the same wireless network as your Brother machine.

Brother SupportCenter is a mobile app that provides the latest support information for your Brother product. Visit the App Store or Google Play™ to download.



AirPrint is available for all supported iOS devices including iPhone, iPad, and iPod touch. You do not need to download any software to use AirPrint. For more information, see the *Online User's Guide*.



Download and install the Mopria® Print Service app from Google Play™ using your Android™ device.



Download and install our free application **Brother iPrint&Scan** from a mobile application store, such as the App Store, Google Play™ or Microsoft® Store using your mobile device.

Optional apps

You can print from and scan to your mobile device using various apps. For instructions, see the *Online User's Guide*.



Additional Wireless Support: support.brother.com/wireless-support

For FAQs, Troubleshooting, and to download software and manuals, visit support.brother.com. For product specifications, see the *Online User's Guide*.

© 2018 Brother Industries, Ltd. All rights reserved.

Free Manuals Download Website

<http://myh66.com>

<http://usermanuals.us>

<http://www.somanuals.com>

<http://www.4manuals.cc>

<http://www.manual-lib.com>

<http://www.404manual.com>

<http://www.luxmanual.com>

<http://aubethermostatmanual.com>

Golf course search by state

<http://golfingnear.com>

Email search by domain

<http://emailbydomain.com>

Auto manuals search

<http://auto.somanuals.com>

TV manuals search

<http://tv.somanuals.com>