

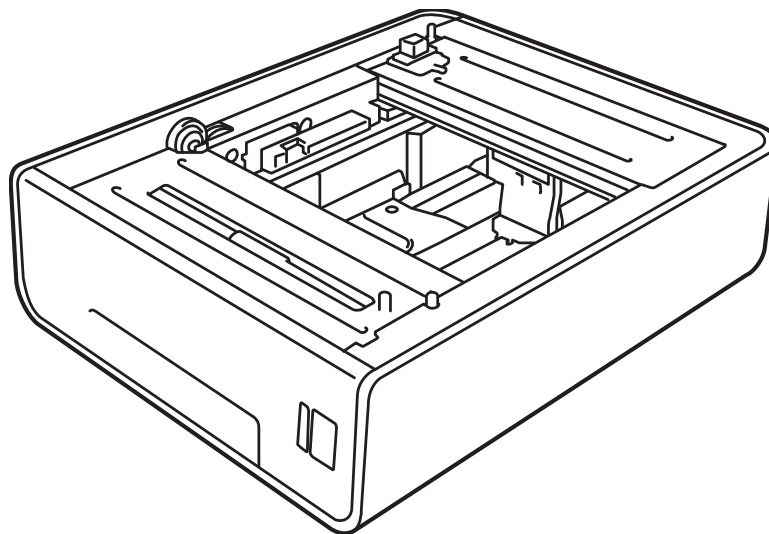


Lower Tray Unit for Color Laser Printer  
**PARTS REFERENCE LIST**

---

---

**MODEL:  
LT-320CL/325CL/328CL**



Read this list thoroughly before maintenance work.

Keep this list in a convenient place for quick and easy reference at all times.

## NOTE FOR USING THIS PARTS REFERENCE LIST

1. In the case of ordering parts, it is necessary to mention the following items:

- (1) Code
- (2) Q'ty
- (3) Description

<Example>

REFNo.	CODE	Q'TY	DESCRIPTION	MODEL	SPEC	REMARKS

2. Design-changed parts:

If any of the parts code is changed in this Parts List, one of the following symbols is indicated in the REMARKS column.

CHG (chg): The part code is changed for a new one in this Parts List.

ADD (add): The part code is newly added in this Parts List.

DEL (del) : The part code is deleted in this Parts List.

Symbol in capital letters indicates the latest parts change information in the page.

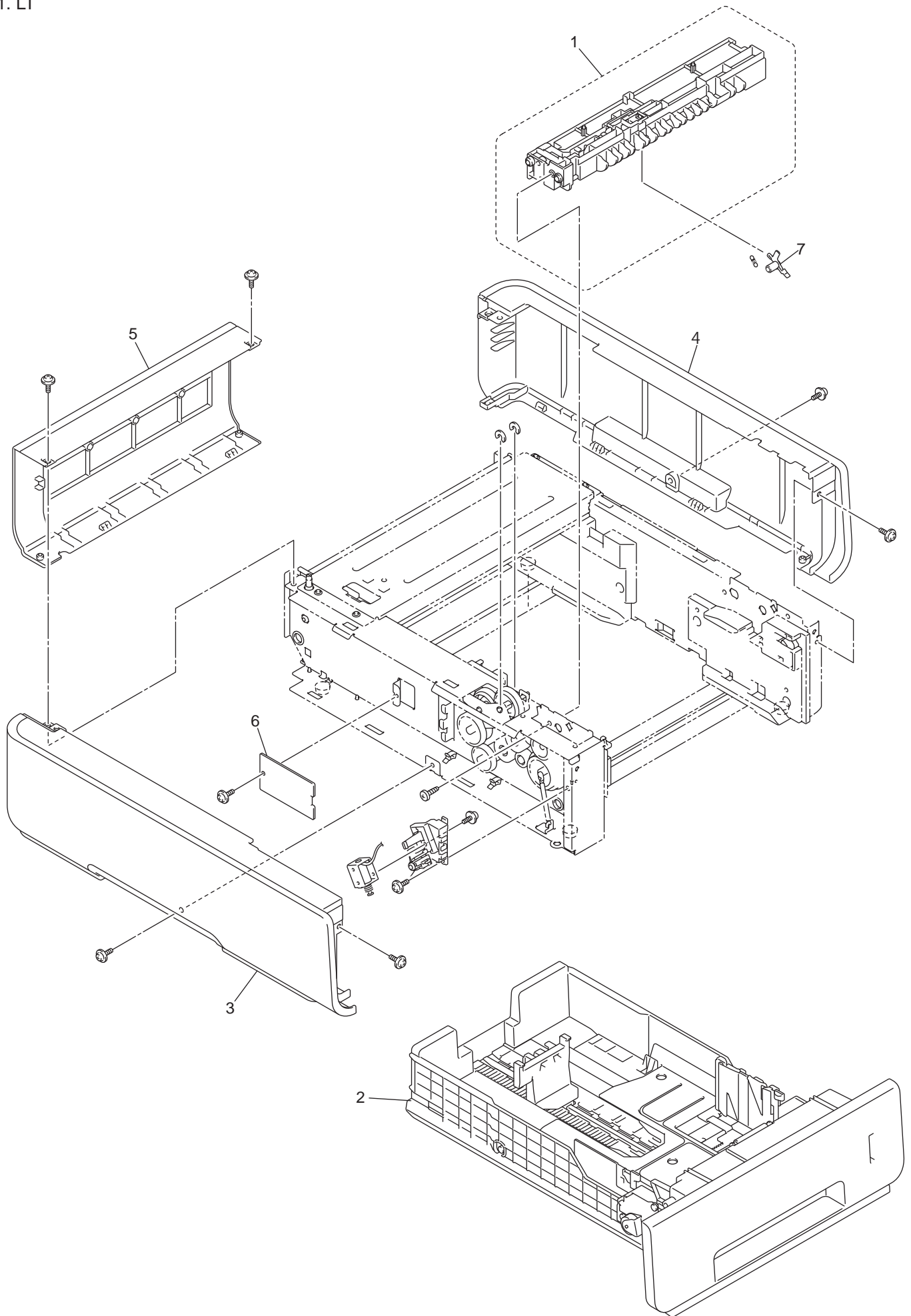
3. Parts change will be informed by the Parts change information.

4. Parts are subject to change in design without prior notice.

# CONTENTS

1.	<u>LT</u> .....	1
2.	<u>PACKING MATERIALS</u> .....	3
3.	<u>PERIODICAL MAINTENANCE PARTS</u> .....	5

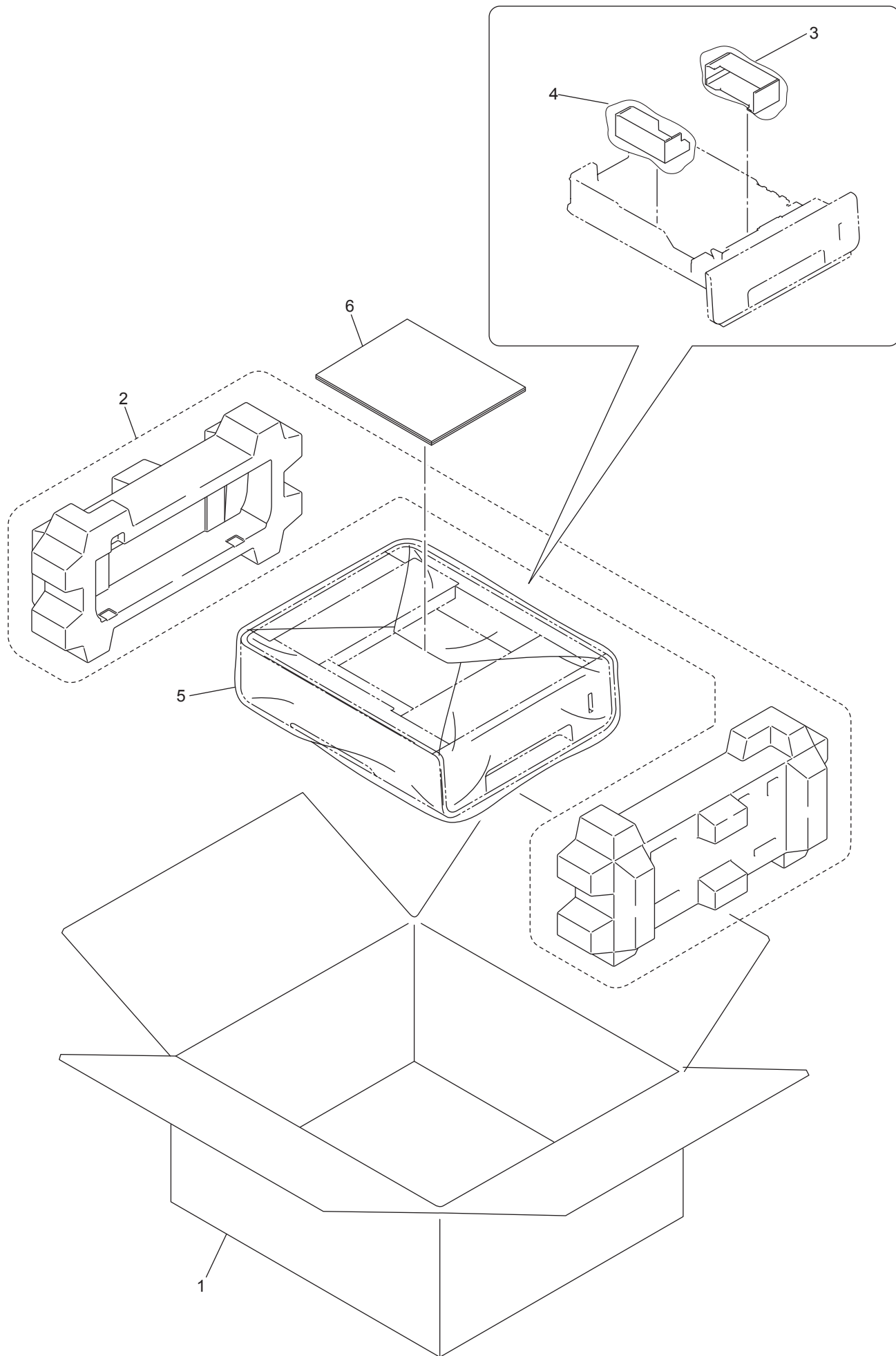
1. LT



1. LT

REF No.	CODE	Q'TY	DESCRIPTION	MODEL	SPEC	REMARKS
1	LY0669001	1	LT PAPER FEED FRAME UNIT			
2	LY7866001	1	LT PAPER TRAY UNIT	LT-320CL		
2	LY7866002	1	LT PAPER TRAY UNIT	LT-325CL		
2	LU6969001	1	LT PAPER TRAY UNIT	LT-328CL		
3	LY0686001	1	LT COVER LEFT	LT-320CL		
3	LY0686001	1	LT COVER LEFT	LT-325CL		
3	LU6974001	1	LT COVER LEFT	LT-328CL		
4	LY0687001	1	LT COVER RIGHT	LT-320CL		
4	LY0687001	1	LT COVER RIGHT	LT-325CL		
4	LU6975001	1	LT COVER RIGHT	LT-328CL		
5	LY0688001	1	LT COVER REAR			
6	LV1345001	1	LT RELAY PCB ASSY			
7	LY0667001	1	LT EDGE ACTUATOR			

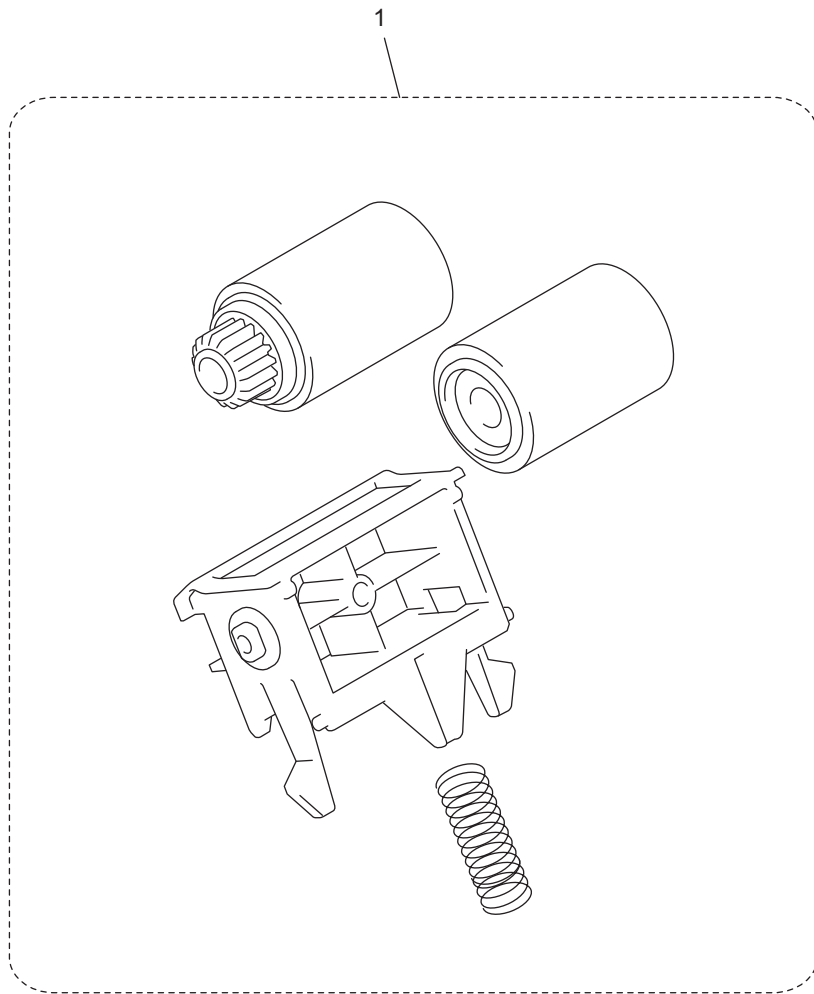
## 2. PACKING MATERIALS



2. PACKING MATERIALS

REF No.	CODE	Q'TY	DESCRIPTION	MODEL	SPEC	REMARKS
1	LU4589001	1	CARTON LT-320CL	LT-320CL	FOR US	
1	LU4941001	1	CARTON LT-320CL	LT-320CL	FOR CHN	
1	LU4590001	1	CARTON LT-325CL	LT-325CL	FOR US	
1	LU4942001	1	CARTON LT-325CL	LT-325CL	FOR CHN	
1	LU6978001	1	CARTON LT-328CL	LT-328CL		
2	LY0690001	1	STYROFOAM PAD ASSY	LT-320CL		
2	LY0690001	1	STYROFOAM PAD ASSY	LT-325CL		
2	LU6979001	1	STYROFOAM PAD ASSY	LT-328CL		
3	LY5864001	1	P-TRAY HOLD PAD S ASSY (SP)			
4	LU6727001	1	P-TRAY HOLD PAD L ASSY (SP)			
5	LJ5584001	1	BAG 700X800H			
6	LU4976001	1	SETUP GUIDE			chg
(7)	LM2157001	2	RECYCLE MARK FOR STYROFOAM PAD ASSY	LT-320CL	FOR KOR	ADD
(7)	LM2157001	2	RECYCLE MARK FOR STYROFOAM PAD ASSY	LT-325CL	FOR KOR	ADD

### 3. PERIODICAL MAINTENANCE PARTS





3. PERIODICAL MAINTENANCE PARTS

REF No.	CODE	Q'TY	DESCRIPTION	MODEL	SPEC	REMARKS
1	LY1548001	1	PAPER FEEDING KIT 2 (SP)	LT-320CL		
1	LY1548001	1	PAPER FEEDING KIT 2 (SP)	LT-325CL		
1	LR2210001	1	PAPER FEEDING KIT 2 (SP)	LT-328CL		
1	LR2210001	1	PAPER FEEDING KIT 3 (SP)	LT-328CL		

## Free Manuals Download Website

<http://myh66.com>

<http://usermanuals.us>

<http://www.somanuals.com>

<http://www.4manuals.cc>

<http://www.manual-lib.com>

<http://www.404manual.com>

<http://www.luxmanual.com>

<http://aubethermostatmanual.com>

Golf course search by state

<http://golfingnear.com>

Email search by domain

<http://emailbydomain.com>

Auto manuals search

<http://auto.somanuals.com>

TV manuals search

<http://tv.somanuals.com>