



FACSIMILE EQUIPMENT

PARTS REFERENCE LIST

MODEL: MFC7220 / 7225N

FAX2820 / 2910 / 2920

(For U.S.A / Canada / Brazil)

© Copyright Brother 2005

All rights reserved

No part of this publication may be reproduced in any form or by any means without permission in writing from the publisher.

Specifications are subject to change without prior notice.

NOTES FOR USING THIS PARTS REFERENCE LIST

1. In the case of ordering parts, it needs mentioning the following items:

- (1) Code
- (2) Q' ty
- (3) Description
- (4) Recommend (The \checkmark mark is attached to recommend parts at this column.)
- (5) Symbol (PCB No., Revision, and Parts location mounted on the PCB.)

Note: Orders without Parts Code or Tool No. cannot be accepted.

[Example]

| | (1) | (2) | (3) | (4) | (5) | |
|---------|------|-------|-------------|-----------|--------|---------|
| REF.NO. | CODE | Q' TY | DESCRIPTION | RECOMMEND | SYMBOL | REMARKS |
| | | | | | | |

2. Design-changed parts:

When the parts are changed, any one of the following symbols is mentioned in the REMARKS column.

CHG (chg): The part is changed to a new part.

ADD (add): The part is newly added.

DEL (del): The part is deleted.

Symbol in capital letters indicates that the change is the latest one in the page.

3. Parts change will be informed by the technical information.

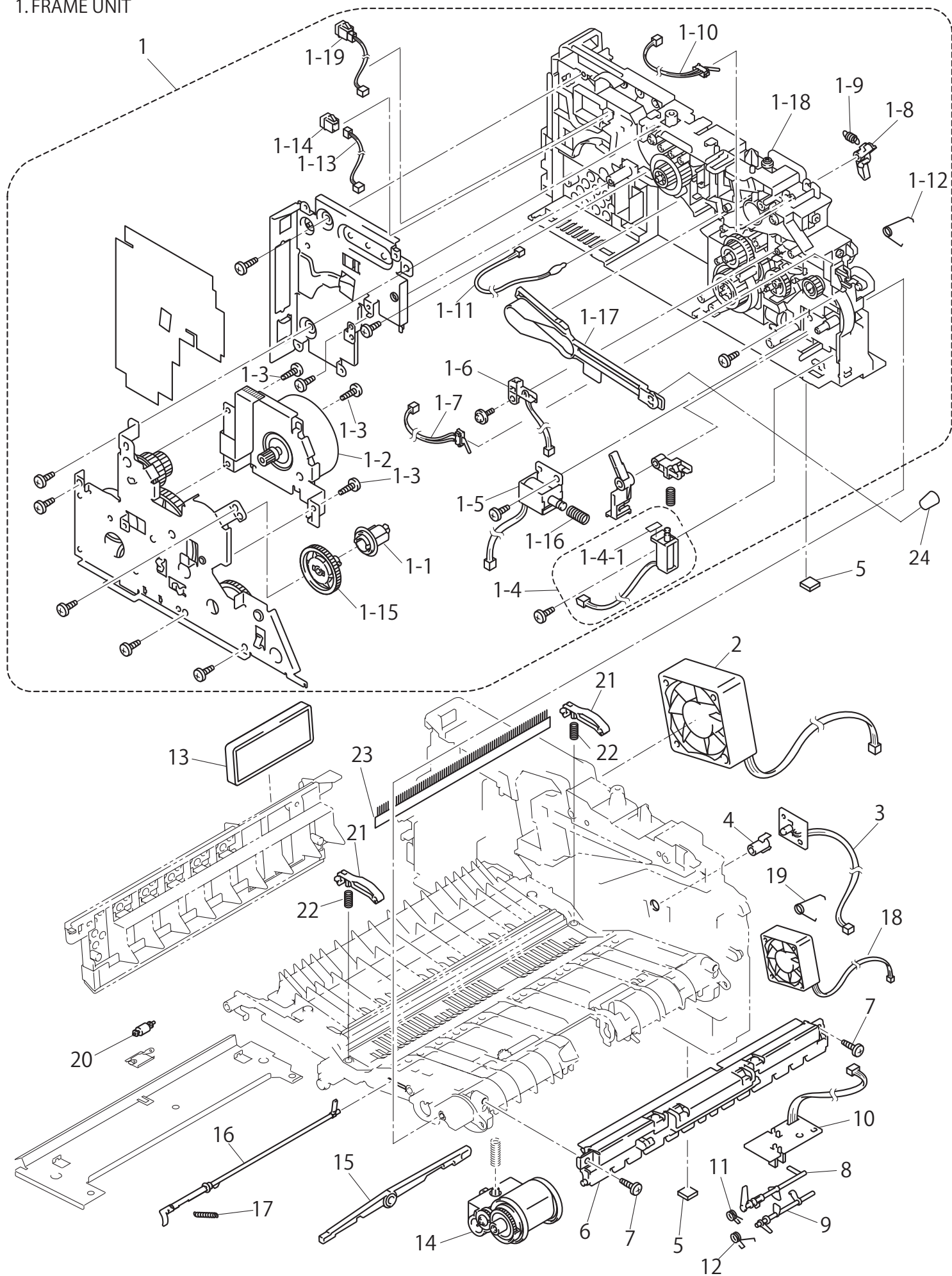
COUNTRIES

U.S.A. ---- US

CANADA ---- CAN

BRAZIL ---- BRA

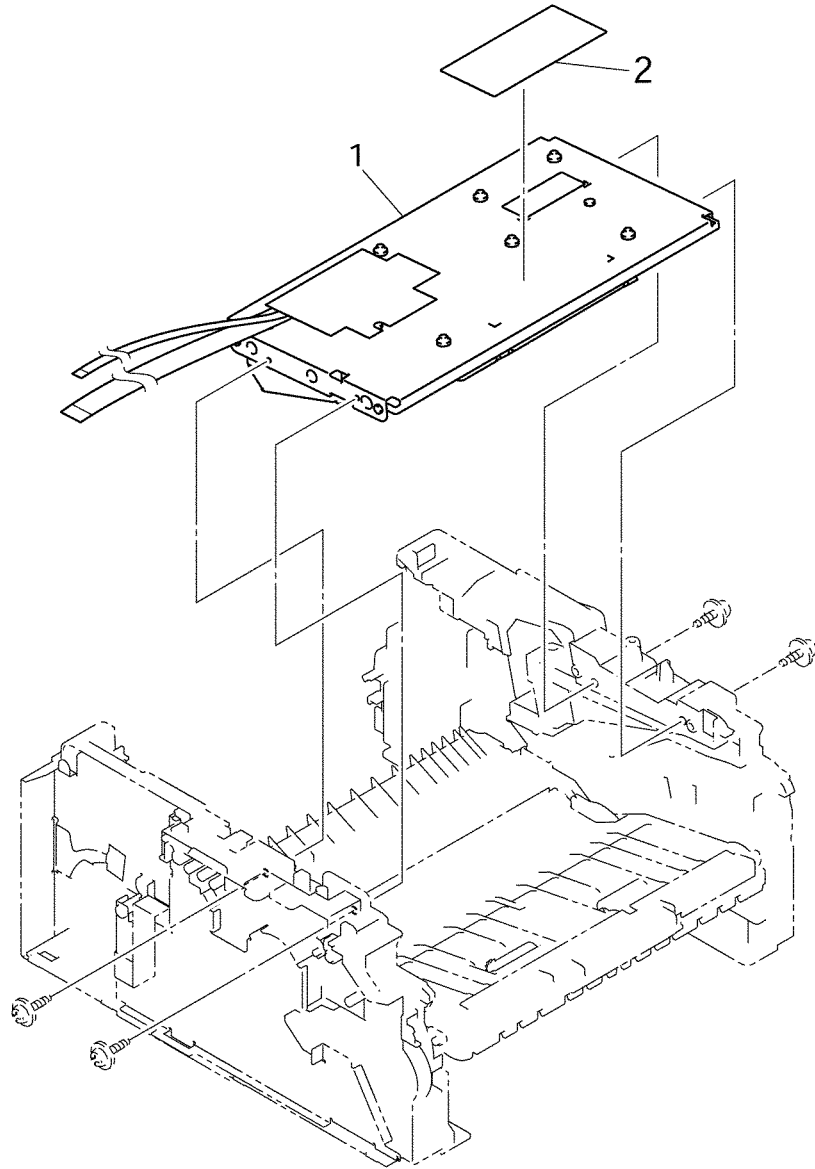
1. FRAME UNIT



LIST1(FRAME UNIT)

| REF No. | CODE | Q'TY | DESCRIPTION | RECOMMEND | REMARKS |
|---------|-----------|------|---------------------------------------|-----------|---------|
| 1 | LS3987001 | 1 | MAIN FRAME L ASSY, FAX2820 | | CHG |
| 1 | LS3988001 | 1 | MAIN FRAME L ASSY, FAX2910/FAX2920 | | CHG |
| 1 | LS3991001 | 1 | MAIN FRAME L ASSY-S, FAX2820 | | CHG |
| 1 | LS3992001 | 1 | MAIN FRAME L ASSY-S, FAX2910/FAX2920 | | CHG |
| 1 | LS3991001 | 1 | MAIN FRAME L ASSY-SV, FAX2910/FAX2920 | | CHG |
| 1 | LS3986001 | 1 | MAIN FRAME L ASSY, MFC7220 | | CHG |
| 1 | LS3990001 | 1 | MAIN FRAME L ASSY-S, MFC7220 | | CHG |
| 1 | LS3985001 | 1 | MAIN FRAME L ASSY, MFC7225N | | CHG |
| 1 | LS3989001 | 1 | MAIN FRAME L ASSY-S, MFC7225N | | CHG |
| 1 | LS3998001 | 1 | MAIN FRAME L ASSY-SV, MFC7225N | | CHG |
| 1-1 | LM4227001 | 1 | DEVELOP JOINT | | |
| 1-2 | LM4341001 | 1 | MAIN MOTOR ASSY | | |
| 1-3 | 087320616 | 3 | TAPTITE CUP S M3X6 | | |
| 1-4 | LM4238001 | 1 | P/R SOLENOID ASSY | | chg |
| 1-4-1 | LU7353001 | 1 | SOL DAMPER SHEET | | add |
| 1-5 | LM4234001 | 1 | F/R SOLENOID ASSY | | chg |
| 1-6 | LJ9740001 | 1 | TONER SENSOR PCB ASSY | | |
| 1-7 | LG5845001 | 1 | COVER SENSOR ASSY | | |
| 1-8 | LM4260001 | 1 | NEW TONER ACTUATOR | | |
| 1-9 | LM4261001 | 1 | NEW TONER ACTUATOR SPRING | | |
| 1-10 | LG5832001 | 1 | NEW TONER SENSOR ASSY | | |
| 1-11 | LG5834001 | 1 | THERMISTOR ASSY | | |
| 1-12 | LM6480001 | 1 | PINCH SPRING L | | chg |
| 1-13 | LJ9744001 | 1 | THERMISTOR RELAY HARNESS | | add |
| 1-13 | LM9014004 | 4 | THERMISTOR RELAY HARNESS-S | | del |
| 1-14 | LJ9745001 | 1 | THERMISTOR HARNESS JOINT | | add |
| 1-14 | LM9013004 | 4 | THERMISTOR HARNESS JOINT-S | | del |
| 1-15 | LM4225001 | 1 | DEVELOP DRIVE GEAR | | add |
| 1-16 | LM4633001 | 1 | SOLENOID RELEASE SPRING ALL | | add |
| 1-17 | LM4249001 | 1 | DRIVE RELEASE CAM | | add |
| 1-18 | LM4733001 | 1 | MAIN FRAME L SUB ASSY (WITHOUT GEARS) | | add |
| 1-19 | LT0974001 | 1 | THERMISTOR HARNESS UNIT | | add |
| 2 | LF6856001 | 1 | FAN MOTOR 60 UNIT | | |
| 3 | LJ9747001 | 1 | TONER LED PCB ASSY | | |
| 4 | LM4267001 | 1 | LED HOLDER | | |
| 5 | LJ7403001 | 2 | RUBBER FOOT | | |
| 6 | LM4275001 | 1 | SUB CHUTE ASSY | | |
| 7 | 085411216 | 2 | TAPTITE BIND B M4X12 | | |
| 8 | LM4282001 | 1 | REGIST FRONT ACTUATOR | | |
| 9 | LM4283001 | 1 | TAIL EDGE ACTUATOR | | |
| 10 | LJ9751001 | 1 | REGIST SENSOR PCB ASSY | | |
| 11 | LM4285001 | 1 | REGIST FRONT SPRING | | |
| 12 | LM4287001 | 1 | TAIL EDGE SPRING | | |
| 13 | LU0922001 | 1 | FILTER 2 ASSY | | chg |
| 14 | LM4300001 | 1 | PICKUP ROLLER HOLDER ASSY | | |
| 15 | LM6482001 | 1 | LINK LEVER | | chg |
| 16 | LM4284001 | 1 | REGIST REAR ACTUATOR | | |
| 17 | LM4286001 | 1 | REGIST REAR SPRING | | |
| 18 | LF9087001 | 1 | FAN 40 SPONGE ASSY | | |
| 19 | LM6481001 | 1 | PINCH SPRING R | | chg |
| 20 | LJ7432001 | 1 | CLEANER PINCH ROLLER ASSY L | | add |
| 21 | LM4357001 | 2 | TRANSFER ARM | | add |
| 22 | LM4358001 | 2 | TRANSFER ARM SPRING | | add |
| 23 | LM4595001 | 1 | ANTI-STATIC BRUSH ALL JPS | | add |
| 24 | LU1323001 | 1 | RUBBER SPACER ALL | | ADD |

2. LASER UNIT



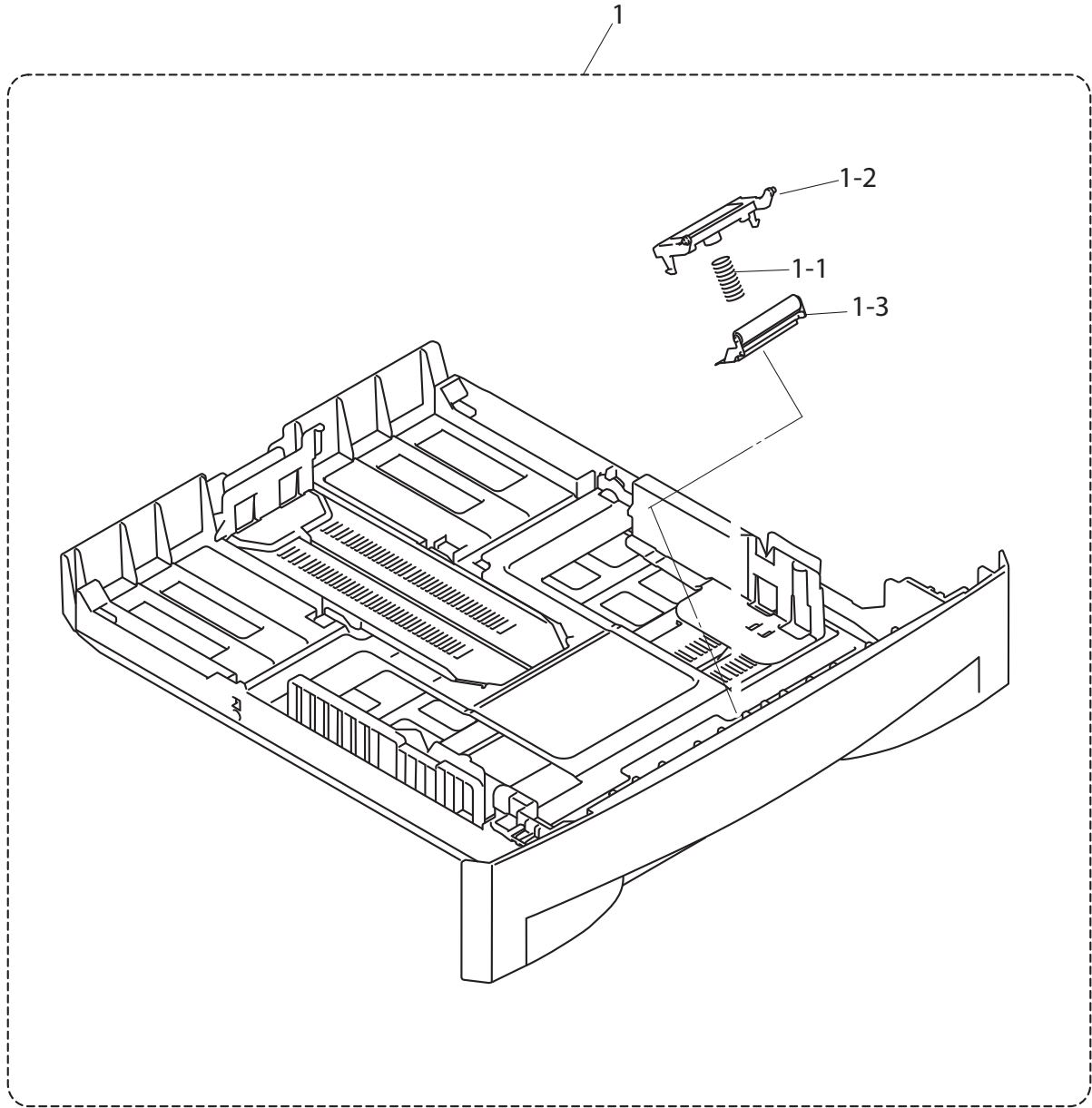
LIST2(LASER UNIT)

| REF No. | CODE | Q'TY | DESCRIPTION | RECOMMEND | REMARKS |
|---------|-----------|------|---------------------|-----------|---------|
| 1 | LM4578001 | 1 | LASER UNIT(SP) | √ | |
| 2 | LJ0908001 | 1 | LASER CAUTION LABEL | | |

8X5A01, 8X5A05, 8X5A07,
8X5A13, 8X5A17

FAX2820, FAX2910, FAX2920,
MFC7220, MFC7225N

3. PAPER TRAY

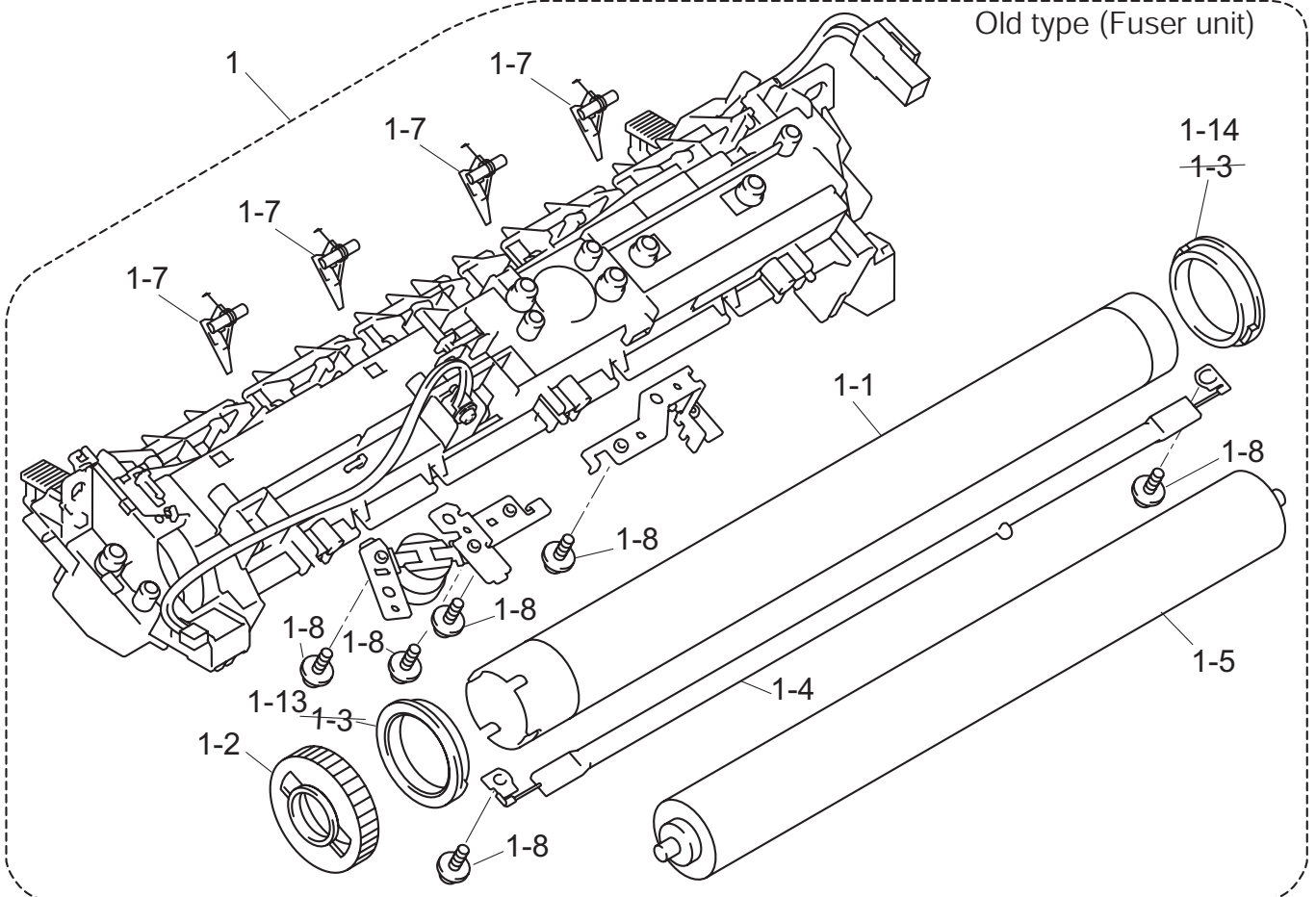


LIST3(PAPER TRAY)

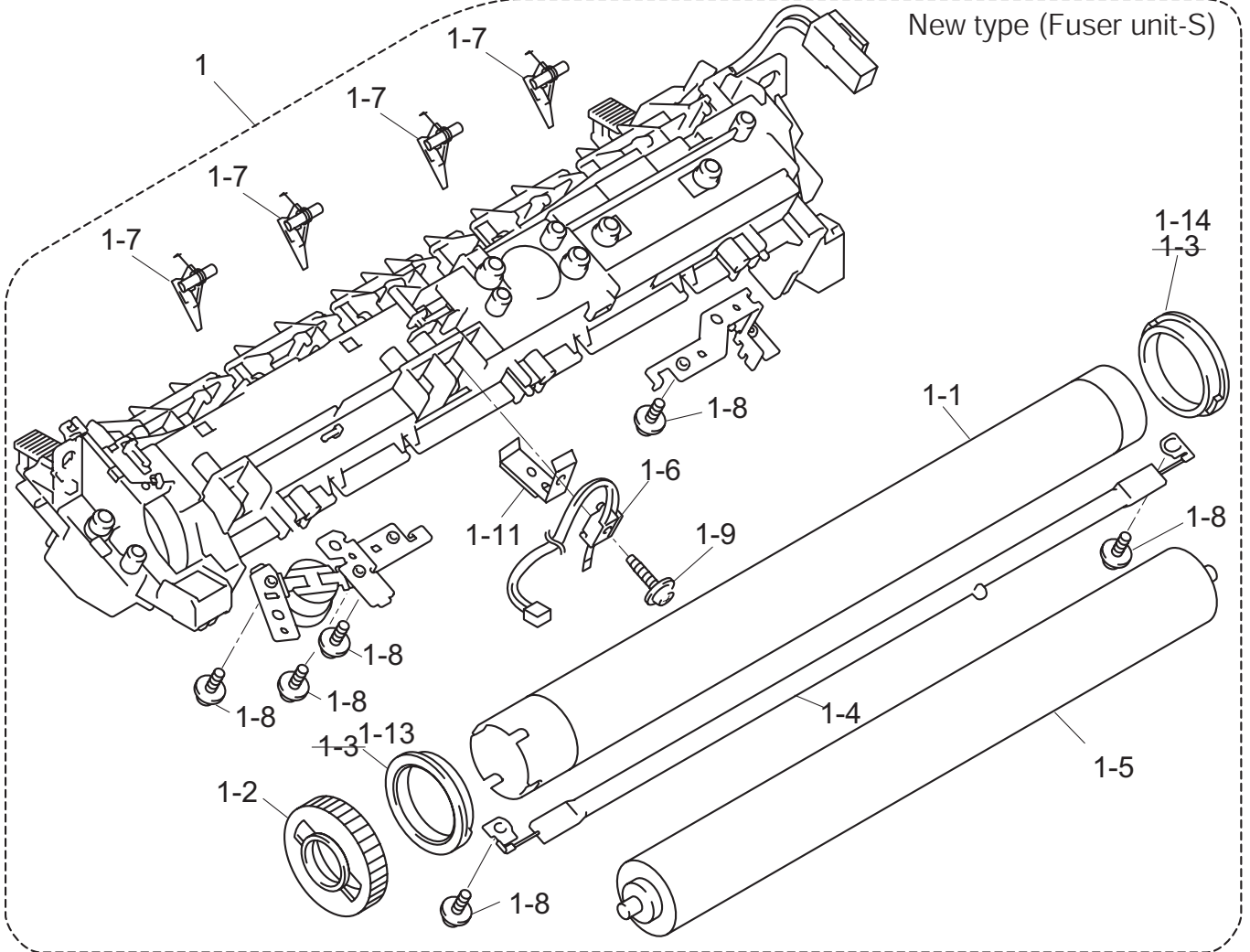
| REF No. | CODE | Q'TY | DESCRIPTION | RECOMMEND | REMARKS |
|---------|-----------|------|---|-----------|---------|
| 1 | LM6331003 | 1 | PAPER TRAY ASSY, GRAY(1737), FAX2820/FAX2910/FAX2920 | | chg |
| 1 | LM6331001 | 1 | PAPER TRAY ASSY, GRAY(1581), MFC7220/MFC7225N | | chg |
| 1-1 | LM4146001 | 1 | SEPARATION PAD SPRING | | |
| 1-2 | LM4143001 | 1 | SEPARATION PAD HOLDER ASSY | | |
| 1-3 | LM4615001 | 1 | PAPER ROLLER SPRING PLATE ASSY | | ADD |

4. FIXING UNIT

Old type (Fuser unit)



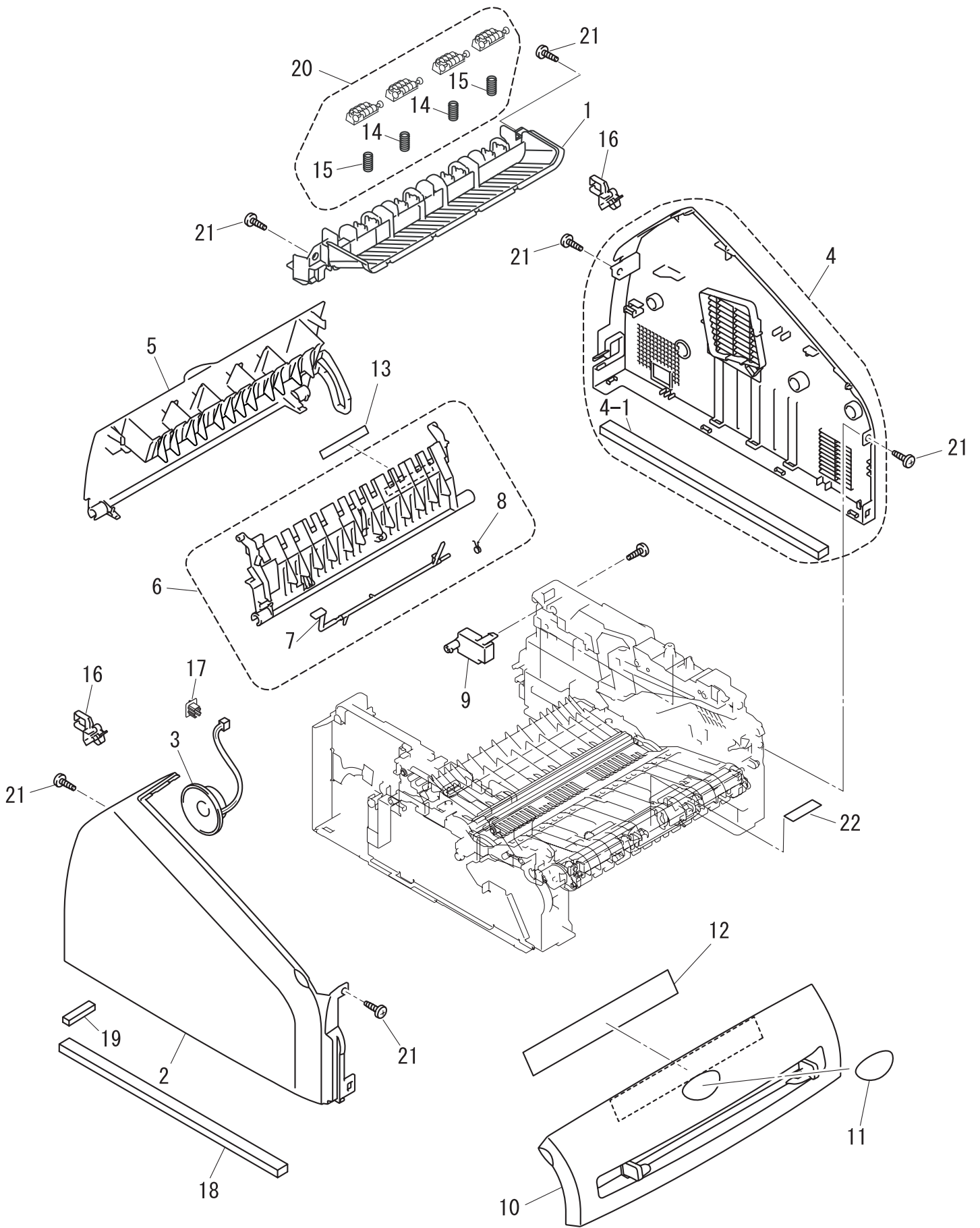
New type (Fuser unit-S)



LIST4(FIXING UNIT)

| REF No. | CODE | Q'TY | DESCRIPTION | RECOMMEND | REMARKS |
|-----------------|----------------------|--------------|------------------------------------|-----------|---------|
| 1 | LM6721001 | 1 | FUSER UNIT 115V I-10/5 (SP) | √ | CHG |
| 1 | LM6722001 | 1 | FUSER UNIT 115V S-10/5 (SP) | √ | CHG |
| 1-1 | LM4009001 | 1 | HEAT ROLLER | | |
| 1-2 | LM4010001 | 1 | HR GEAR | | |
| 1-3 | LM4011004 | 2 | HR BUSH | | DEL |
| 1-4 | LM4012001 | 1 | HALOGEN HEATER 115V | | |
| 1-5 | LM4013001 | 1 | PRESSURE ROLLER | | |
| 1-6 | LM4865001 | 1 | THERMISTOR ASSY-S | | chg |
| 1-7 | LM4994001 | 4 | SEPARATE CLAW ASSY 10/1 | | chg |
| 1-8 | LM3855001 | 6 | SCREW, PAN (S/P WASHER) M3X8 | | |
| 1-9 | 087311216 | 1 | TAPTITE CUP B M3X12 | | |
| 1-10 | LM4997004 | 4 | SEPARATE CLAW ASSY 10/2 | | del |
| 1-11 | LM6305001 | 1 | THERMISTOR CLEANER ASSY2 | | chg |
| 1-12 | 087310846 | 4 | TAPTITE CUP B M3X8 | | del |
| 1-13 | LM6735001 | 1 | HR BUSH L | | ADD |
| 1-14 | LM6736001 | 1 | HR BUSH R | | ADD |

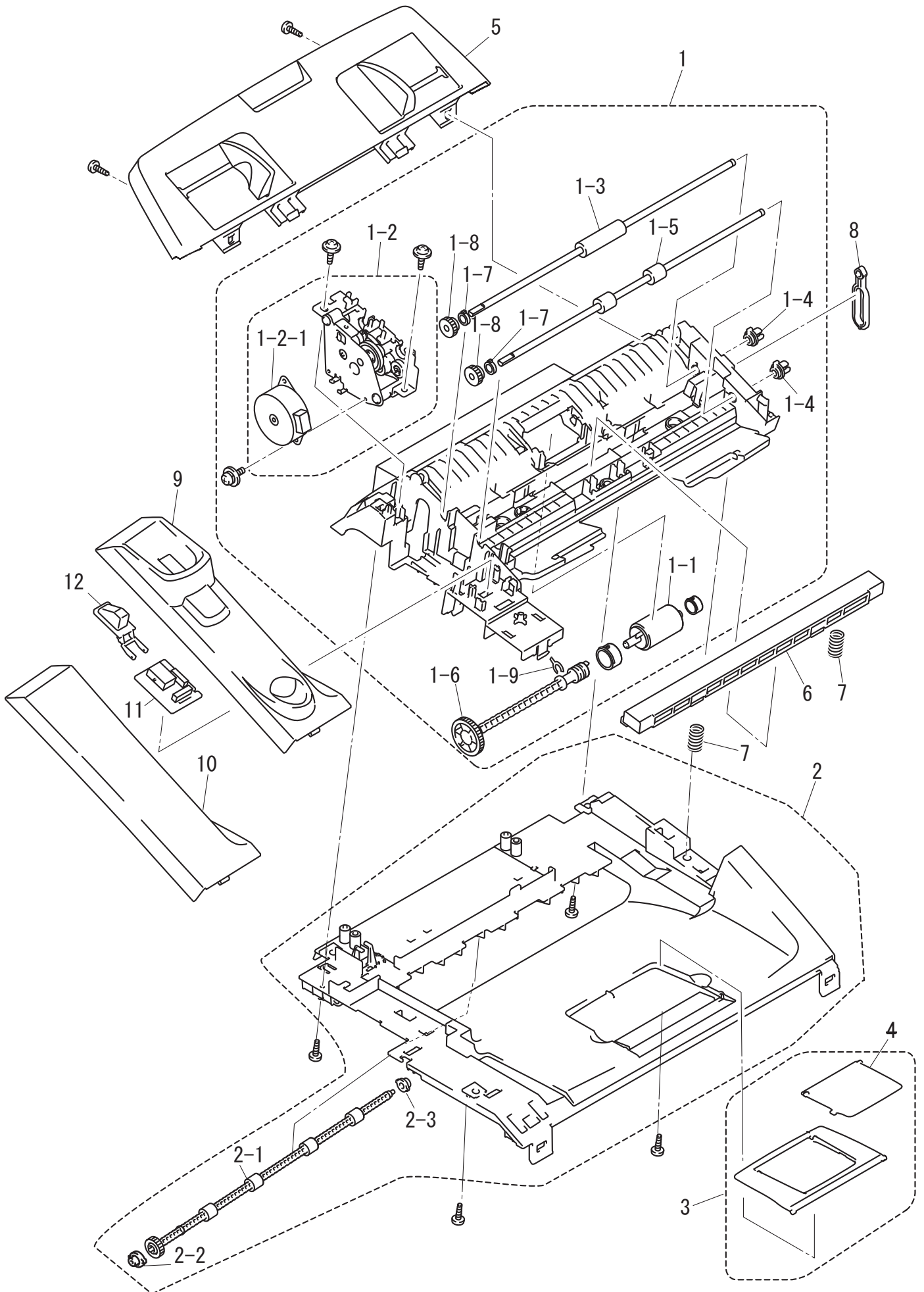
5. COVERS



LIST5(COVERS)

| REF No. | CODE | Q'TY | DESCRIPTION | RECOMMEND | REMARKS |
|---------|-----------|------|--|-----------|---------|
| 1 | LM4113001 | 1 | INNER CHUTE, GRAY(1581) | | |
| 2 | LF6434001 | 1 | SIDE COVER L, GRAY(1736) | | |
| 3 | LG6047001 | 1 | SPEAKER ASSY | | |
| 4 | LF9089001 | 1 | SIDE COVER R ASSY, GRAY(1736) | | |
| 4-1 | LM4625001 | 1 | COVER SPONGE | | add |
| 5 | LM6229001 | 1 | REAR COVER, GRAY(1736) | | chg |
| 6 | LM6321001 | 1 | REAR CHUTE COVER ASSY | | CHG |
| 7 | LM6320001 | 1 | PAPER EJECT ACTUATOR3 | | chg |
| 8 | LM6309001 | 1 | EJECT ACTUATOR SPRING3 | | chg |
| 9 | LM4568001 | 1 | REAR COVER STOPPER | | |
| 10 | LM4124003 | 1 | FRONT COVER ASSY, GRAY(1737), FAX2820/FAX2910/FAX2920 | | |
| 10 | LM4124001 | 1 | FRONT COVER ASSY, GRAY(1581), MFC7220/MFC7225N | | |
| 11 | LM4162001 | 1 | BROTHER EMBLEM | | |
| 12 | LM7049001 | 1 | PROCESS U OP LABEL 2 | | chg |
| 13 | LM7050001 | 1 | HEATER CAUTION LABEL 2 | | chg |
| 14 | ---- | | N/A | | chg |
| 15 | ---- | | N/A | | chg |
| 16 | LF6745001 | 2 | CORD HOOK | | add |
| 17 | ---- | | NOT USED | | |
| 18 | LM4625001 | 1 | COVER SPONGE | | add |
| 19 | LM4626001 | 1 | COVER SPONGE | | add |
| 20 | LM6598001 | 1 | PINCH ROLLER SP ASSY 3 | | chg |
| 21 | 085411216 | 6 | TAPTITE BIND B M4X12 | | add |
| 22 | LU0233001 | 1 | CAUTION LABEL S 13X40 | | add |

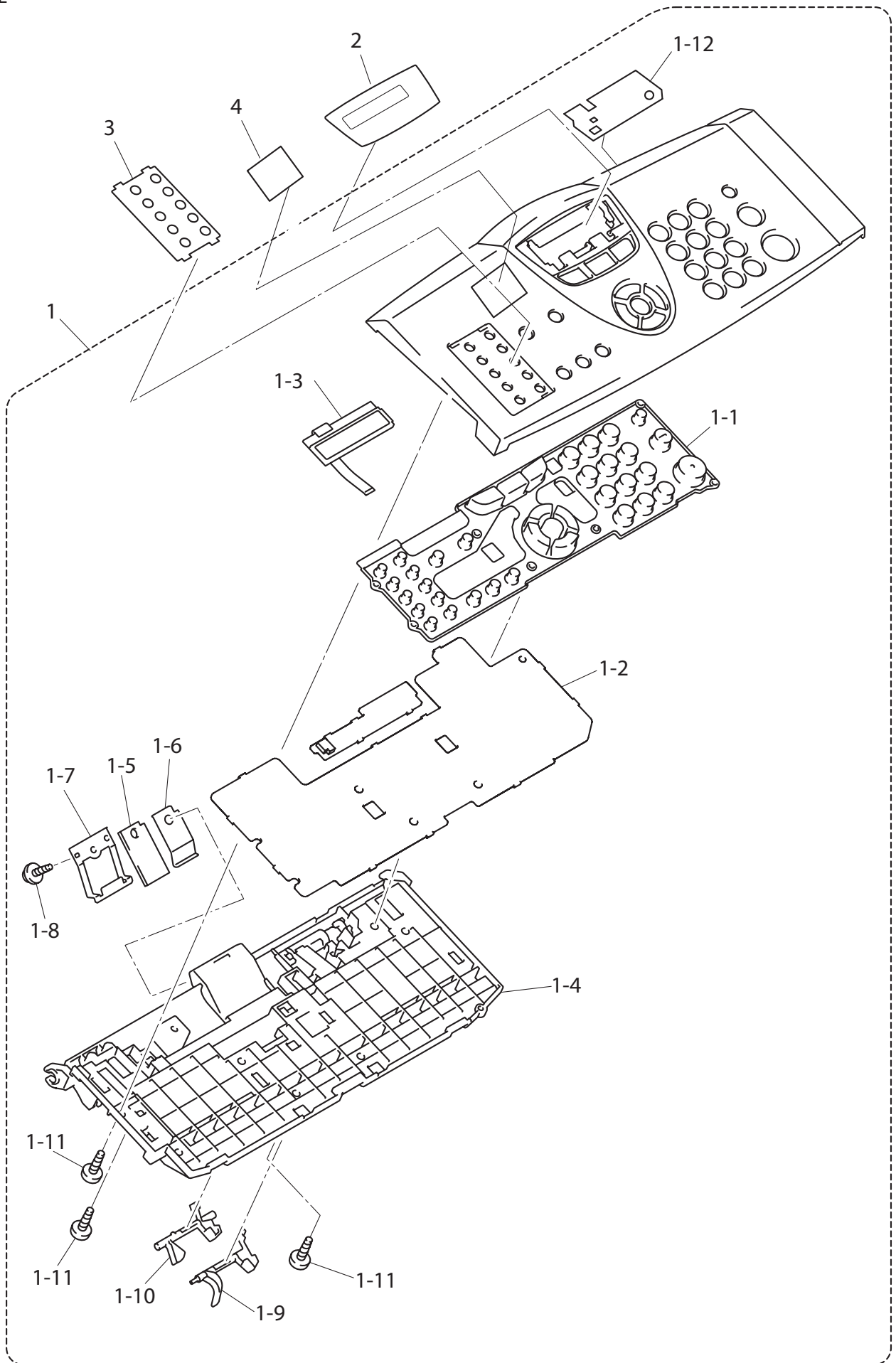
6. TOP COVER



LIST6(TOP COVER)

| REF No. | CODE | Q'TY | DESCRIPTION | RECOMMEND | SYMBOL | REMARKS |
|---------|-----------|------|--|-----------|---------|---------|
| 1 | LS0292002 | 1 | DOCUMENT CHUTE ASSY, GRAY(1737), FAX2820/FAX2910/FAX2920 | | | chg |
| 1 | LS0292001 | 1 | DOCUMENT CHUTE ASSY, GRAY(1581), MFC7220/MFC7225N | | | chg |
| 1-1 | UF5511001 | 1 | SEPARATION ROLLER | | | |
| 1-2 | LF6442001 | 1 | SCANNING DRIVE ASSY | | | |
| 1-2-1 | Z27130001 | 1 | SCANNING MOTOR | | | |
| 1-3 | LF6449001 | 1 | LF ROLLER | | | |
| 1-4 | LF6451001 | 2 | BUSHING5 | | | chg |
| 1-5 | LF6452001 | 1 | EJECTION ROLLER ASSY | | | |
| 1-6 | LF6441001 | 1 | SEPARATION ROLLER GEAR | | | chg |
| 1-7 | LF9115001 | 2 | LF ROLLER COLLAR | | | add |
| 1-8 | LF6455001 | 2 | LF ROLLER GEAR | | | add |
| 1-9 | LP2341001 | 1 | PLASTIC RETAINING RING E7 | | | add |
| 2 | LF9422002 | 1 | INNER CHUTE COVER ASSY, GRAY(1737), FAX2820/FAX2910/FAX2920 | | | chg |
| 2 | LF9422001 | 1 | INNER CHUTE COVER ASSY, GRAY(1581), MFC7220/MFC7225N | | | chg |
| 2-1 | LM4105001 | 1 | EJECT ROLLER ASSY | | | |
| 2-2 | LM4108001 | 1 | BUSH L | | | add |
| 2-3 | LM4107001 | 1 | BUSH R | | | add |
| 3 | LS3960002 | 1 | PAPER STOPPER ASSY, GRAY(1737), FAX2820/FAX2910/FAX2920 | | | chg |
| 3 | LS3960001 | 1 | PAPER STOPPER ASSY, GRAY(1581), MFC7220/MFC7225N | | | chg |
| 4 | LF6463002 | 4 | PAPER STOPPER S, GRAY(1737), FAX2820/FAX2910/FAX2920 | | | del |
| 4 | LF6463001 | 4 | PAPER STOPPER S, GRAY(1581), MFC7220/MFC7225N | | | del |
| 5 | LF6469001 | 1 | DOCUMENT BASE ASSY, GRAY(1736) | | | |
| 6 | LG3157001 | 1 | CIS | √ | | CHG |
| 7 | UU2028001 | 2 | CIS SPRING | | | |
| 8 | LF6465001 | 1 | LINK STOPPER | | | |
| 9 | LS0184002 | 1 | HANDSET HOLDER PL, GRAY(1737), FAX2820/FAX2910/FAX2920 | | | chg |
| 9 | LS0184001 | 1 | HANDSET HOLDER PL, GRAY(1581), MFC7220/MFC7225N | | | chg |
| 10 | ---- | | NOT USED | | | |
| 11 | LG6052001 | 1 | HOOK PCB ASSY | | B53K803 | |
| 12 | LS0018008 | 1 | ACTUATOR HOOK PL, GRAY(1495), FAX2820/FAX2910/FAX2920 | | | chg |
| 12 | LS0018009 | 1 | ACTUATOR HOOK PL, GRAY(1581), MFC7220/MFC7225N | | | chg |

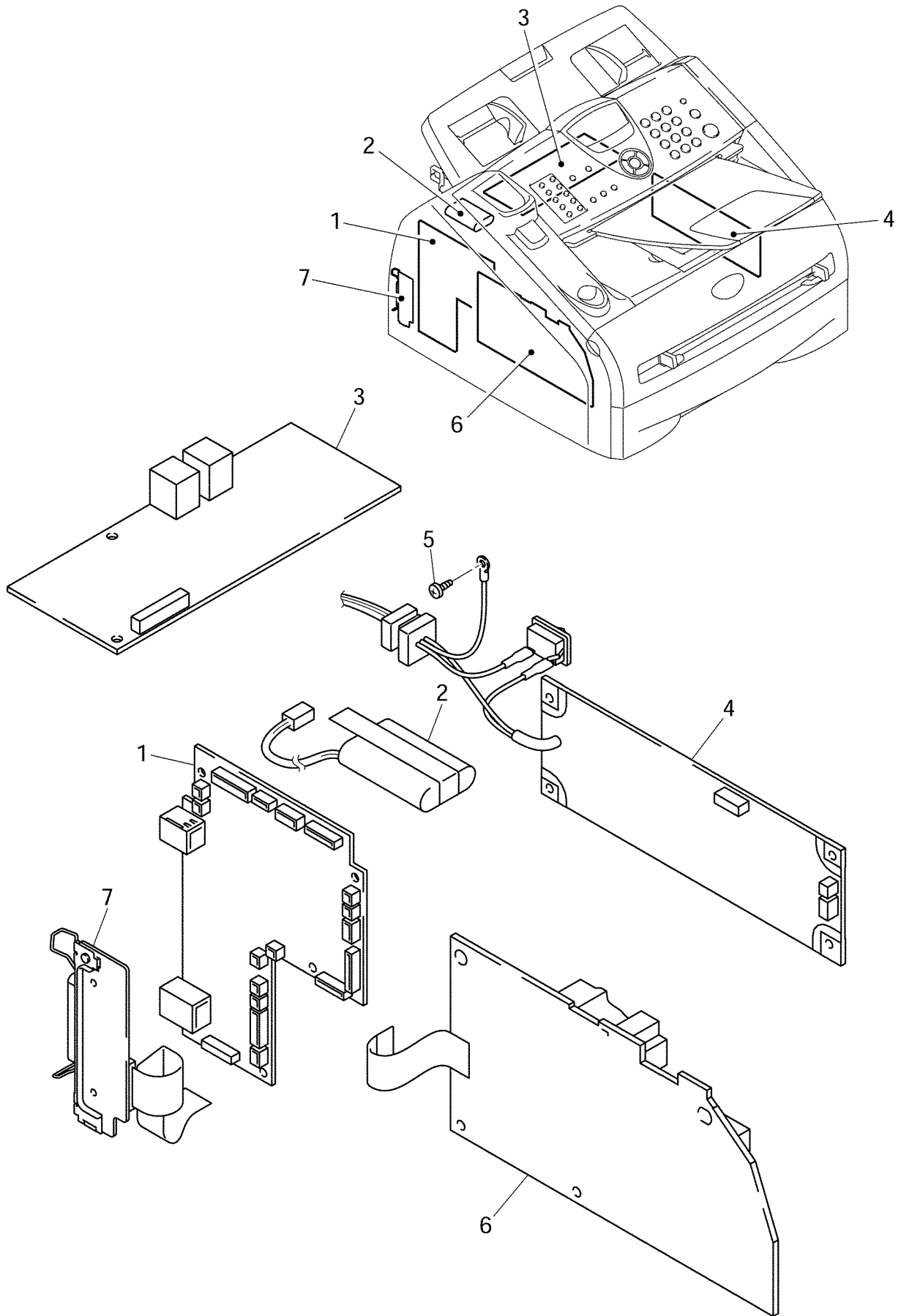
7. PANEL



LIST7(PANEL)

| REF No. | CODE | Q'TY | DESCRIPTION | RECOMMEND | SYMBOL | REMARKS |
|---------|-----------|------|---|-----------|---------|---------|
| 1 | LF6708001 | 1 | PANEL UNIT, GRAY(1737), FAX2820 FOR US/CAN | √ | | |
| 1 | LS0051001 | 1 | PANEL UNIT, GRAY(1737), FAX2910 | √ | | |
| 1 | LF6711001 | 1 | PANEL UNIT, GRAY(1737), FAX2920 | √ | | |
| 1 | LF6514001 | 1 | PANEL UNIT, GRAY(1581), MFC7220 FOR US/CAN | √ | | |
| 1 | LF6473001 | 1 | PANEL UNIT, GRAY(1581), MFC7225N | √ | | |
| 1 | LF6872001 | 1 | PANEL UNIT, GRAY(1737), FAX2820 FOR BRA | √ | | |
| 1 | LF6998001 | 1 | PANEL UNIT, GRAY(1581), MFC7220 FOR BRA | √ | | |
| 1-1 | LF6669001 | 1 | RUBBER KEY, PRINTED, FAX2820/FAX2910/FAX2920 | | | |
| 1-1 | LF6476001 | 1 | RUBBER KEY, PRINTED, MFC7220/MFC7225N | | | |
| 1-2 | LG6091002 | 1 | PANEL PCB ASSY, FAX2820/FAX2910/FAX2920 | | B53K805 | |
| 1-2 | LG6091001 | 1 | PANEL PCB ASSY, MFC7220 | | B53K805 | |
| 1-2 | LG6057001 | 1 | PANEL PCB ASSY, MFC7225N | | B53K805 | |
| 1-3 | LG5355001 | 1 | LCD, FAX2820/FAX2910/MFC7220 | | | |
| 1-3 | LG6059001 | 1 | LCD, FAX2920/MFC7225N | | | |
| 1-4 | LF6479001 | 1 | PANEL REAR COVER | | | |
| 1-5 | LF9097001 | 1 | SEPARATION RUBBER | | | |
| 1-6 | LF6485001 | 1 | ADF PLATE SPRING | | | |
| 1-7 | LF6486001 | 1 | FRONT PLATE SPRING | | | |
| 1-8 | UF5034001 | 1 | TAPTITE, B 3X6 | | | |
| 1-9 | LF6488001 | 1 | ACTUATOR R | | | chg |
| 1-10 | LF6487001 | 1 | ACTUATOR F | | | chg |
| 1-11 | 087310815 | 3 | TAPTITE, CUP B M3X8 | | | |
| 1-12 | LP2219001 | 1 | SHADE FILM | | | add |
| 2 | LF6696001 | 1 | LCD SHEET, FAX2820 | | | |
| 2 | LS0052001 | 1 | LCD SHEET, FAX2910 | | | |
| 2 | LF6697001 | 1 | LCD SHEET, FAX2920 | | | |
| 2 | LF6516001 | 1 | LCD SHEET, MFC7220 | | | |
| 2 | LF6490001 | 1 | LCD SHEET, MFC7225N | | | |
| 3 | LF6662001 | 1 | ADDRESS LABEL, FAX2820/FAX2910/FAX2920 | | | |
| 3 | LF6704001 | 1 | ADDRESS LABEL, MFC7220/MFC7225N | | | |
| 4 | LU0234001 | 1 | CAUTION LABEL S 30X30 | | | ADD |

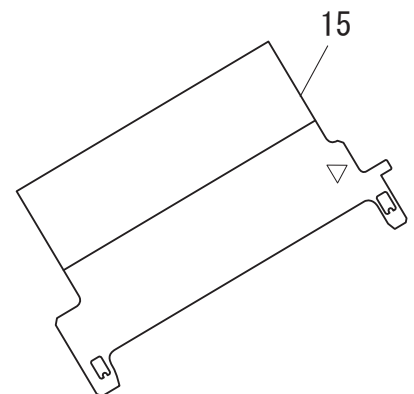
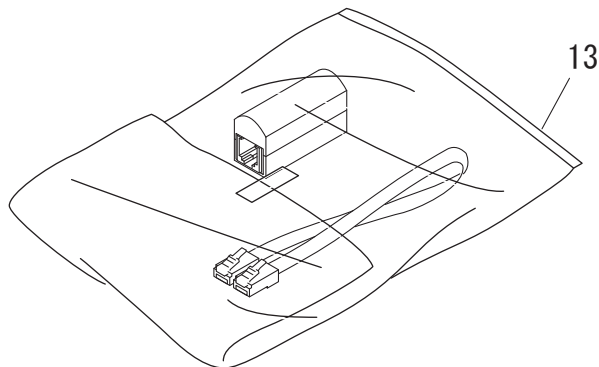
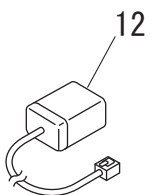
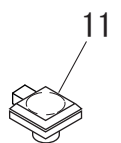
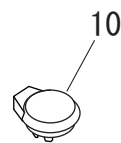
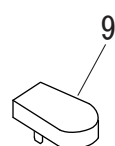
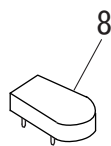
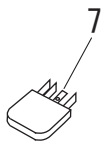
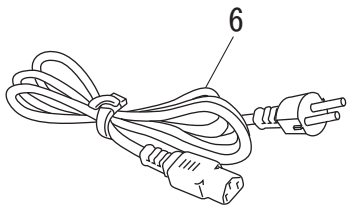
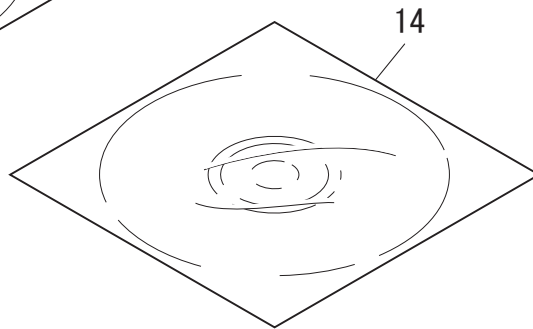
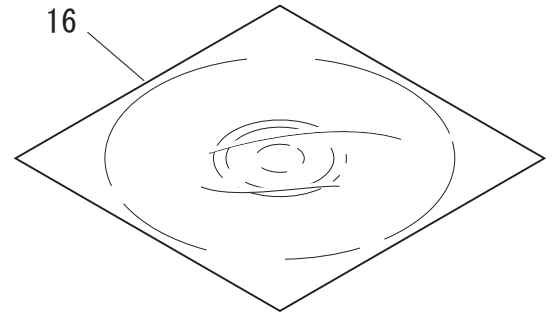
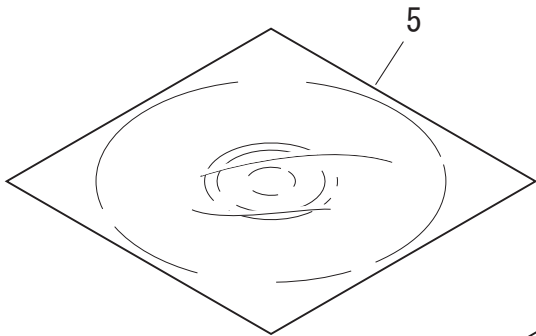
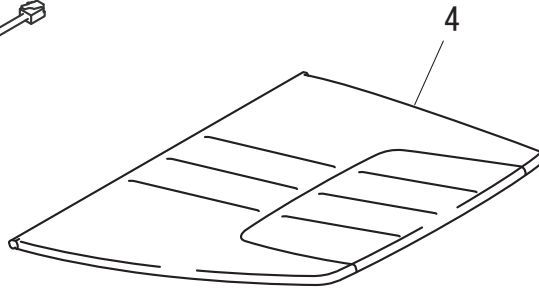
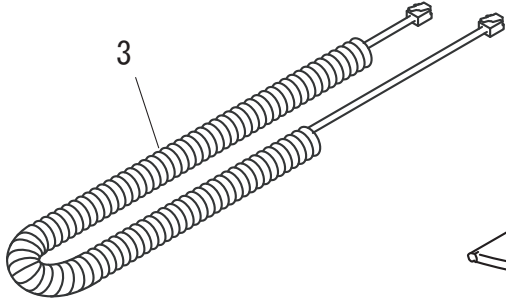
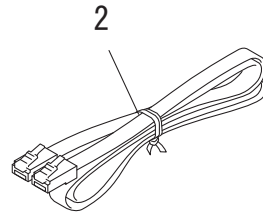
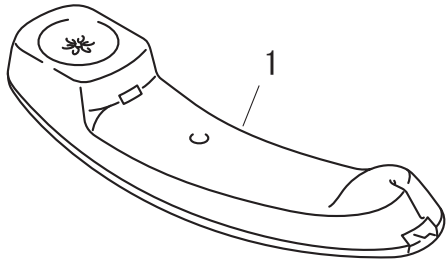
8. PCB



LIST8(PCB)

| REF No. | CODE | Q'TY | DESCRIPTION | RECOMMEND | SYMBOL | REMARKS |
|---------|----------------------|------|---|-----------|--------------------|----------------|
| 1 | LG6141001 | 1 | MAIN PCB ASSY, FAX2820 FOR US/CAN | | B53K795 | |
| 1 | LG6434001 | 1 | MAIN PCB ASSY-S, FAX2820 FOR US/CAN | | B53K795 | add |
| 1 | LG6617001 | 1 | MAIN PCB ASSY-SV, FAX2820 FOR US/CAN | | B53K832 | add |
| 1 | LG6140001 | 1 | MAIN PCB ASSY, FAX2920 | | B53K802 | |
| 1 | LG6436001 | 1 | MAIN PCB ASSY-S, FAX2920 | | B53K802 | add |
| 1 | LG6815001 | 1 | MAIN PCB ASSY-SV, FAX2910/FAX2920 | | B53K833 | add |
| 1 | LG6086001 | 1 | MAIN PCB ASSY, MFC7220 FOR US/CAN | | B53K795 | |
| 1 | LG6433001 | 1 | MAIN PCB ASSY-S, MFC7220 FOR US/CAN | | B53K795 | add |
| 1 | LG6618001 | 1 | MAIN PCB ASSY-SV, MFC7220 FOR US/CAN | | B53K832 | add |
| 1 | LG6065001 | 1 | MAIN PCB ASSY, MFC7225N | | B53K802 | |
| 1 | LG6435001 | 1 | MAIN PCB ASSY-S, MFC7225N | | B53K802 | add |
| 1 | LG6816001 | 1 | MAIN PCB ASSY-SV, MFC7225N | | B53K833 | add |
| 4 | LG6086002 | 4 | MAIN PCB ASSY, MFC7220 FOR CAN | | B53K795 | del |
| 1 | LG6141003 | 1 | MAIN PCB ASSY, FAX2820 FOR BRA | | B53K795 | |
| 1 | LG6434003 | 1 | MAIN PCB ASSY-S, FAX2820 FOR BRA | | B53K795 | add |
| 1 | LG6617003 | 1 | MAIN PCB ASSY-SV, FAX2820 FOR BRA | | B53K832 | add |
| 1 | LG6086003 | 1 | MAIN PCB ASSY, MFC7220 FOR BRA | | B53K795 | |
| 1 | LG6433003 | 1 | MAIN PCB ASSY-S, MFC7220 FOR BRA | | B53K795 | add |
| 1 | LG6618003 | 1 | MAIN PCB ASSY-SV, MFC7220 FOR BRA | | B53K832 | add |
| 2 | LG6167001 | 1 | BATTERY ASSY, FAX2910/FAX2920/MFC7225N | √ | | |
| 3 | LT0868001 | 1 | NCU PCB ASSY, FAX2820/MFC7220 FOR US | | B57T013 | chg |
| 3 | LT0868011 | 1 | NCU PCB ASSY, FAX2910/FAX2920/MFC7225N | | B57T013 | chg |
| 3 | LT0868002 | 1 | NCU PCB ASSY FOR CAN | | B57T013 | chg |
| 3 | LG6233003 | 1 | NCU PCB ASSY FAX2820/MFC7220 FOR BRA | | B53K786 | chg |
| 4 | LG6271001 | 1 | PS PCB UNIT, 115V FOR US/CAN | | | |
| 4 | LT1011001 | 1 | PS PCB UNIT, 115V FOR BRA | | | chg |
| 5 | LM2048001 | 1 | SCREW, PAN (S/P WASHER) M3.5X6 | | | |
| 6 | LV0439001 | 1 | HIGH-VOLTAGE PS PCB ASSY FOR US/CAN | | | add |
| 6 | LJ9708004 | 4 | HIGH-VOLTAGE PS PCB ASSY FOR BRA | | | DEL |
| 7 | LG6068001 | 1 | CDCC PCB ASSY, MFC7220/MFC7225N | | B53K801 | |

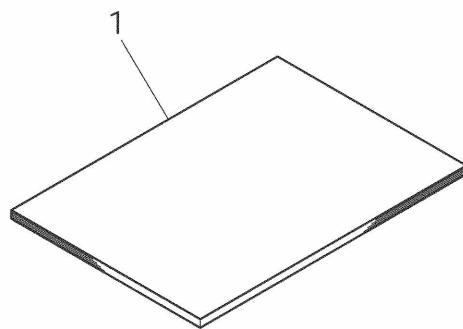
9. ACCESSORIES



LIST9(Accessories)

| REF No. | CODE | Q'TY | DESCRIPTION | RECOMMEND | REMARKS |
|---------|-----------|------|--|-----------|---------|
| 1 | LE5803016 | 1 | HANDSET ASSY, GRAY(1737), FAX2820/FAX2910/FAX2920 FOR US/CAN | | |
| 1 | LE5803003 | 1 | HANDSET ASSY, GRAY(1581), MFC7220/MFC7225N FOR US/CAN | | |
| 1 | LF1518016 | 1 | HANDSET ASSY, GRAY(1737), FAX2820 FOR BRA | | |
| 1 | LF1518003 | 1 | HANDSET ASSY, GRAY(1581), MFC7220 FOR BRA | | |
| 2 | LG3077001 | 1 | TELEPHONE LINE CORD | | |
| 3 | LG6156001 | 1 | HANDSET CURLED CORD ASSY, GRAY(1495), FAX2820/FAX2910/FAX2920 | | |
| 3 | LG6156003 | 1 | HANDSET CURLED CORD ASSY, GRAY(1581), MFC7220/MFC7225N | | |
| 4 | LF6496002 | 1 | PAPER EJECT TRAY ASSY, GRAY(1737), FAX2820/FAX2910/FAX2920 | | |
| 4 | LF6496001 | 1 | PAPER EJECT TRAY ASSY, GRAY(1581), MFC7220/MFC7225N | | |
| 5 | LS0306001 | 1 | CD-ROM ASSY, MFC7220/MFC7225N FOR US/CAN <Windows> | | chg |
| 5 | LF6786004 | 4 | CD-ROM ASSY, MFC7220/MFC7225N FOR US/CAN <Macintosh> | | del |
| 5 | LS0308001 | 1 | CD-ROM ASSY, MFC7220 FOR BRA <Windows> | | chg |
| 5 | LF9093004 | 4 | CD-ROM ASSY, MFC7220 FOR BRA <Macintosh> | | del |
| 5 | LS0307001 | 1 | CD-ROM ASSY, MFC7220/MFC7225N FOR US/CAN/BRA <Macintosh> | | chg |
| 6 | | | NOT USED | | |
| 7 | | | NOT USED | | |
| 8 | | | NOT USED | | |
| 9 | | | NOT USED | | |
| 10 | | | NOT USED | | |
| 11 | | | NOT USED | | |
| 12 | | | NOT USED | | |
| 13 | LG6592001 | 1 | FILTER ASSY, FAX2820/MFC7220 FOR BRA | | add |
| 14 | LS0492001 | 1 | CD-ROM ASSY VISTA, MFC7220/7225N FOR US/CAN | | chg |
| 14 | LS0278001 | 1 | CD-ROM ASSY VISTA, MFC7220 FOR BRA | | chg |
| 15 | LU1185001 | 1 | DRUM CLEANING SHEET KIT | | add |
| 16 | LS3655001 | 1 | CD-ROM ASSY(Windows7), MFC7220, 7225N FOR US | | ADD |

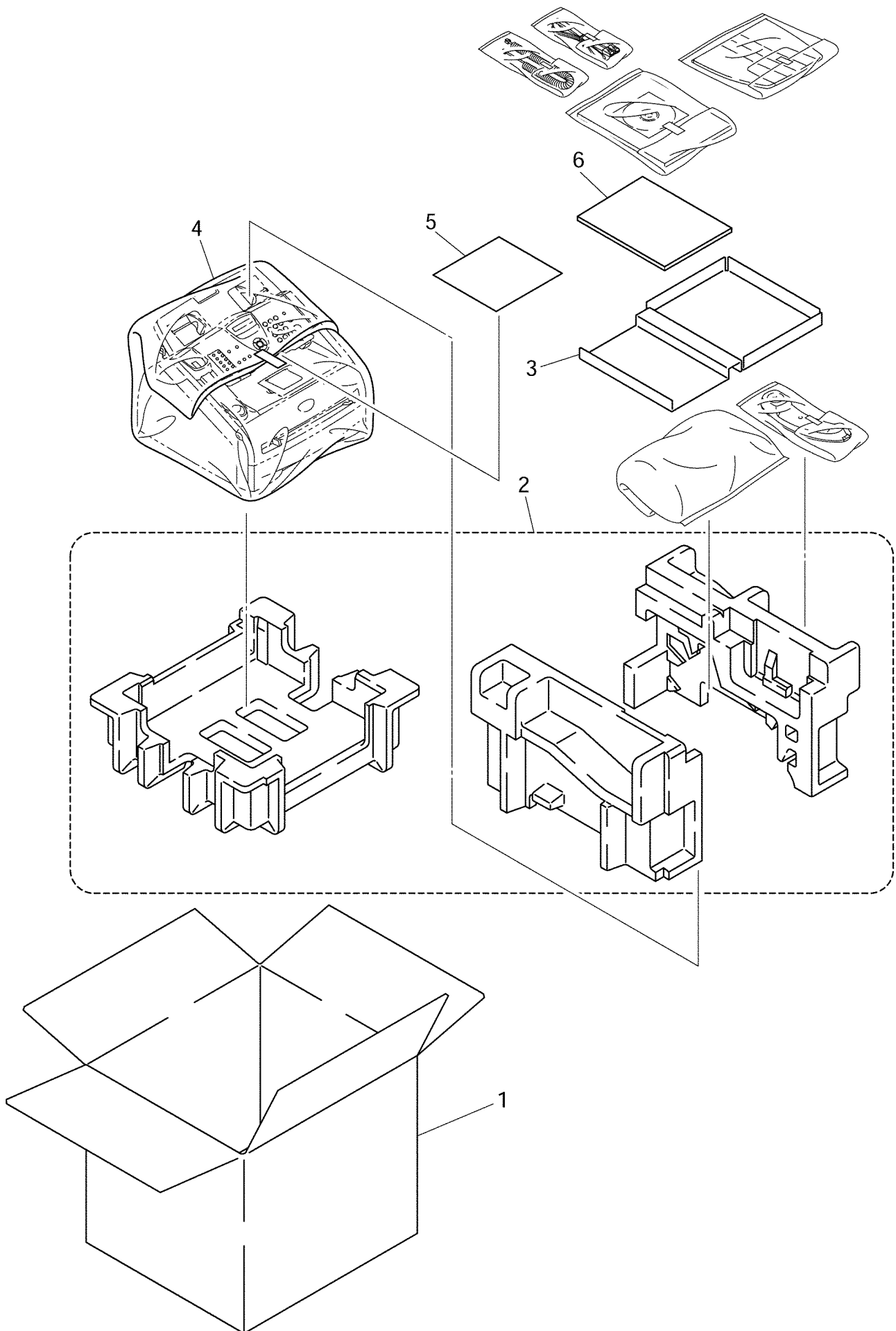
10. PRINTED MATERIALS



LIST10(PRINTED MATERIALS)

| REF No. | CODE | Q'TY | DESCRIPTION | RECOMMEND | REMARKS |
|---------|-----------|------|------------------------------------|-----------|---------|
| 4 | LF6772004 | 4 | USER'S GUIDE FOR US/CAN <ENGLISH> | | del |
| 1 | LS0087001 | 1 | USER'S GUIDE, FOR US/CAN <ENGLISH> | | CHG |
| 1 | LS0087002 | 1 | USER'S GUIDE FOR CAN <FRENCH> | | CHG |
| (2) | LF9447001 | 1 | FRENCH STICKER, FAX2820 FOR CAN | | add |
| (2) | LF9448001 | 1 | FRENCH STICKER, MFC7220 FOR CAN | | add |

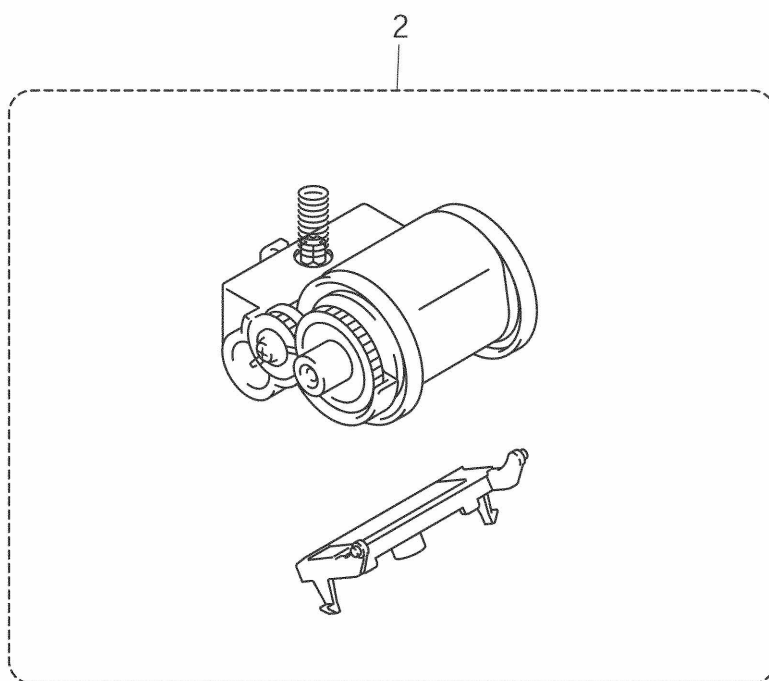
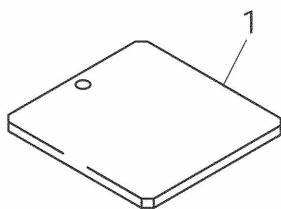
11. PACKING MATERIALS



LIST11(PACKING MATERIALS)

| REF No. | CODE | Q'TY | DESCRIPTION | RECOMMEND | REMARKS |
|---------|----------------------|------|--|-----------|---------|
| 1 | LF6774001 | 1 | CARTON, BROTHER, FAX2820 | √ | |
| 1 | LS0088001 | 1 | CARTON, BROTHER VN, FAX2820 | √ | |
| 1 | LS0056001 | 1 | CARTON, BROTHER, FAX2910 | √ | |
| 1 | LS0259001 | 1 | CARTON, BROTHER VN, FAX2910 | √ | |
| 1 | LF6779001 | 1 | CARTON, BROTHER, FAX2920 | √ | |
| 1 | LS0107001 | 1 | CARTON, BROTHER VN, FAX2920 | √ | |
| 1 | LF6788001 | 1 | CARTON, BROTHER, MFC7220 | √ | |
| 1 | LS0091001 | 1 | CARTON, BROTHER VN, MFC7220 | √ | |
| 1 | LF9004001 | 1 | CARTON, BROTHER, MFC7225N | √ | |
| 1 | LS0102001 | 1 | CARTON, BROTHER VN, MFC7225N | √ | |
| 2 | LF6500001 | 1 | POLYSTYRENE PAD ASSY | | |
| 3 | LF6748001 | 1 | OPTION CARTON | | |
| 4 | LC0540001 | 1 | BAG, 700X800H | | chg |
| 5 | UU0456001 | 1 | PROTECTION PAPER | | |
| 6 | LF6777001 | 4 | QUICK SETUP GUIDE, FAX2820/FAX2920 FOR US/CAN <ENGLISH> | | del |
| 6 | LS0096001 | 1 | QUICK SETUP GUIDE, FAX2820/FAX2910/FAX2920 FOR US/CAN <ENGLISH> | | CHG |
| 6 | LS0097001 | 1 | QUICK SETUP GUIDE, MFC7220/MFC7225N FOR US/CAN <ENGLISH> | | CHG |
| 6 | LS0096002 | 1 | QUICK SETUP GUIDE, FAX2820 FOR CAN <FRENCH> | | CHG |
| 6 | LS0097002 | 1 | QUICK SETUP GUIDE, MFC7220 FOR CAN <FRENCH> | | CHG |

12. OTHERS



LIST12(OTHERS)

| REF No. | CODE | Q'TY | DESCRIPTION | RECOMMEND | REMARKS |
|---------|-----------|------|-------------------|-----------|---------|
| 1 | LM4726001 | 1 | CHECK JIG | | |
| 2 | LM6291001 | 1 | PAPER FEEDING KIT | | CHG |

8X5A01, 8X5A05, 8X5A07,
8X5A13, 8X5A17

FAX2820, FAX2910, FAX2920,
MFC7220, MFC7225N

brother®

PL-FAX105
8X5A01
Ver. AÜ-1

Free Manuals Download Website

<http://myh66.com>

<http://usermanuals.us>

<http://www.somanuals.com>

<http://www.4manuals.cc>

<http://www.manual-lib.com>

<http://www.404manual.com>

<http://www.luxmanual.com>

<http://aubethermostatmanual.com>

Golf course search by state

<http://golfingnear.com>

Email search by domain

<http://emailbydomain.com>

Auto manuals search

<http://auto.somanuals.com>

TV manuals search

<http://tv.somanuals.com>