

VG4 Fiber Optic Media Converter

VG4-SFPSCKT



BOSCH

en Installation Guide

Table of Contents

1	Important Safety Instructions	1
1.1	Customer Support and Service	3
2	Installing the Fiber Optic Module	5
2.1	Description	5
2.2	Using an SFP Module	6
2.3	Parts Included	7
2.4	Installation Instructions	8
3	Troubleshooting	13

1 Important Safety Instructions

Read, follow, and retain all of the following safety instructions. Heed all warnings on the unit and in the operating instructions before operation.

1. Clean only with a dry cloth. Do not use liquid cleaners or aerosol cleaners.
2. Do not install unit near any heat sources such as radiators, heaters, stoves, or other equipment (including amplifiers) that produce heat.
3. Do not block any ventilation openings.
4. Do not use the unit near water or expose to rain or moisture. Never spill liquid of any kind on the unit.
5. Unplug the unit during lightning storms or when unused for long periods.
6. Adjust only those controls specified in the operating instructions.
7. Do not overload outlets and extension cords, as this can cause fire or electrical shock.
8. Protect the plug and power cord from foot traffic or pinching, at electrical outlets, and at its exit from the unit.
9. Operate the unit only from the type of power source indicated on the label.
10. Unless qualified, do not attempt to service a damaged unit yourself. Refer all servicing to qualified service personnel.
11. Use only replacement parts specified by the manufacturer.
12. Install in accordance with the manufacturer's instructions in accordance with applicable local codes.
Use only attachments/accessories specified by the manufacturer. Equipment change or modification could void the user's guarantee or authorization agreement.

WARNING!

High risk: This symbol indicates an imminently hazardous situation such as “Dangerous Voltage” inside the product. If not avoided, this will result in an electrical shock, serious bodily injury, or death.

CAUTION!

Medium risk: Indicates a potentially hazardous situation. If not avoided, this could result in minor or moderate bodily injury.

CAUTION!

Low risk: Indicates a potentially hazardous situation. if not avoided, this could result in property damage or risk of damage to the unit.

You can view and print the full version of this Installation Manual with Adobe Acrobat Reader. This user guide is the intellectual property of Bosch Security Systems; protected by copyright.

1.1 Customer Support and Service

If this unit needs service, contact the nearest Bosch Security Systems Service Center for authorization to return and shipping instructions.

Service Centers

USA

Repair Center

Telephone: 800-566-2283

Fax: 800-366-1329

E-mail: repair@us.bosch.com

Customer Service

Telephone: 888-289-0096

Fax: 585-223-9180

E-mail: security.sales@us.bosch.com

Technical Support

Telephone: 800-326-1450

Fax: 585-223-3508 or 717-735-6560

E-mail: technical.support@us.bosch.com

Canada

Telephone: 514-738-2434

Fax: 514-738-8480

Europe, Middle East, Africa Region

Repair Center

Telephone: 31 (0) 76-5721500

Fax: 31 (0) 76-5721413

E-mail: RMADesk.STService@nl.bosch.com

Asia Region

Repair Center

Telephone: 65 63522776

Fax: 65 63521776

E-mail: rmahelpdesk@sg.bosch.com

Customer Service

Telephone: 86 (0) 756 7633117 or

86 (0) 756 7633121

Fax: 86 (0) 756 7631710

E-mail: customer.service@cn.bosch.com

Warranty and more information

For additional information and warranty queries, please contact your Bosch Security Systems representative or visit our website at www.boschsecurity.com.

2 Installing the Fiber Optic Module

This guide provides instructions for installing the Bosch VG4-SFPSCKT Fiber Optic module into a VG4-A-PA1, VG4-A-PA2, VG4-A-PSU1 or a VG4-A-PSU2 AutoDome power supply box.

2.1 Description

The VG4-SFPSCKT is a unique media converter module for use with VG4 series AutoDomes incorporating the Ethernet (TCP/IP) Communications Module. This media converter module is designed to accept any of the 10/100 Mbps Small Form-factor Pluggable (SFP) modules described below.

The media converter module along with the SFP module is user installed directly into the AutoDome's power supply box to provide an integrated fiber optic solution.

The Fiber Optic module accepts the following SFP modules:

Sub-module	Fiber Type	Optical Interface
SFP-2	MMF	Duplex LC
SFP-3	SMF	Duplex LC
SFP-23	SMF	Single SC
SFP-24	SMF	Single SC
SFP-25	MMF	Single SC
SFP-26	MMF	Single SC



NOTICE! The SFP module is not included with the VG4-SFPSCKT kit, it must be purchased separately.

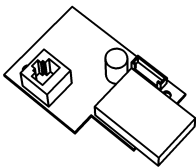
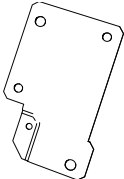
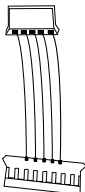
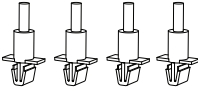
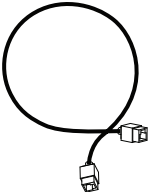

2.2 Using an SFP Module

The SFP-23/SFP-24 modules and the SFP-25/SFP-26 modules are counterparts; if you use one in the VG4-SFPSCKT module then you must use the other in the CNFE2MC head-end unit. For example, SFP-25 is used in the VG4-SFPSCKT module installed into a VG4 power supply. You must use the SFP-26 module in the CNFE2MC head-end unit.

The following chart lists the compatibility between the SFP modules:

SFP Sub-module used in VG4-SFPSCKT	Use this SFP Sub-module in CNFE2MC
SFP-2	SFP-2
SFP-3	SFP-3
SFP-23	SFP-24
SFP-24	SFP-23
SFP-25	SFP-26
SFP-26	SFP-25

2.3 Parts Included

Part	Description	Part Number
	Fiber Optic Media Converter Module	F.01U.136.512
	Metal adaptor base plate	F.01U.072.866
	Power harness (black)	F.01U.026.085
	Four (4) Plastic standoff pins	F.01U.073.233
	Ethernet patch cable (blue) with RJ45 connectors	F.01U.032.132
	One (1) M2.5 Phillips pan screw	F.01U.009.951

2.4 Installation Instructions

Use the following instructions to install the VG4-SFP5CKT Fiber Optic module inside a VG4 Power Supply Box.

1. Unpack the fiber optic module kit, and remove the parts from the bag.
2. Turn off the power to the VG4 power supply box and remove the cover.
3. Remove the 6-pin connector from the P106 connector inside the power supply box, if present.



Figure 2.1 P106 connector with 100 Ohm resistor

4. Insert one plastic standoff pin into the hole on the main power supply board, located to the left of the P107 (Heater) connector.

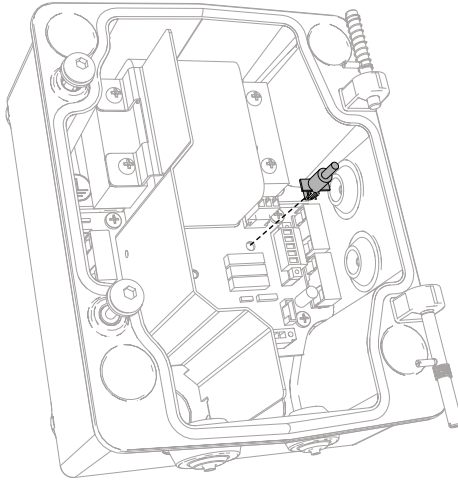


Figure 2.2 Insert standoff pin into power supply board

5. Connect the supplied power harness (black) to the J103 socket on the power supply board, located below the Heater connector.

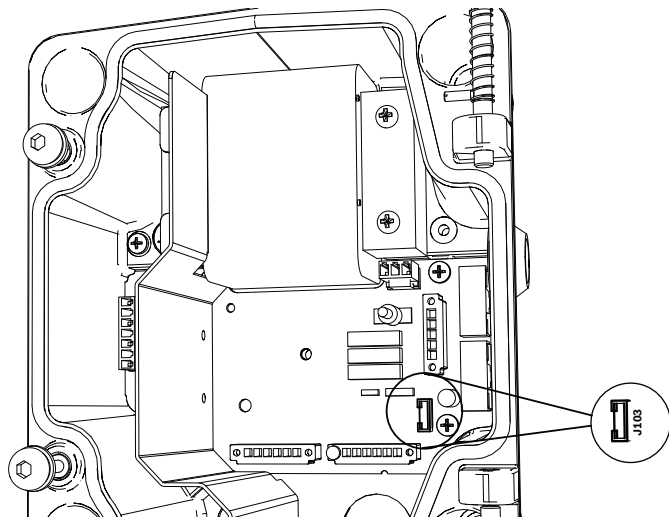


Figure 2.3 J103 socket location

6. Insert three standoff pins into the metal base plate as shown below.

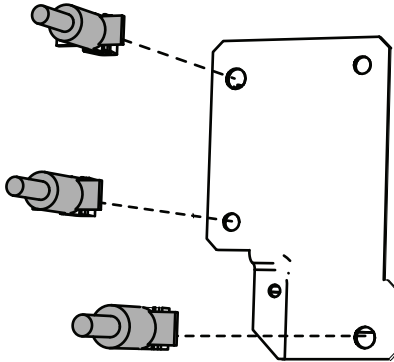


Figure 2.4 Placement of standoff pins in base plate

7. Align the upper right hole in the base plate to the standoff pin attached to the power supply box and press the base plate onto the pin. Secure the base plate with the supplied screw in the lower left hole of the P105 connector.

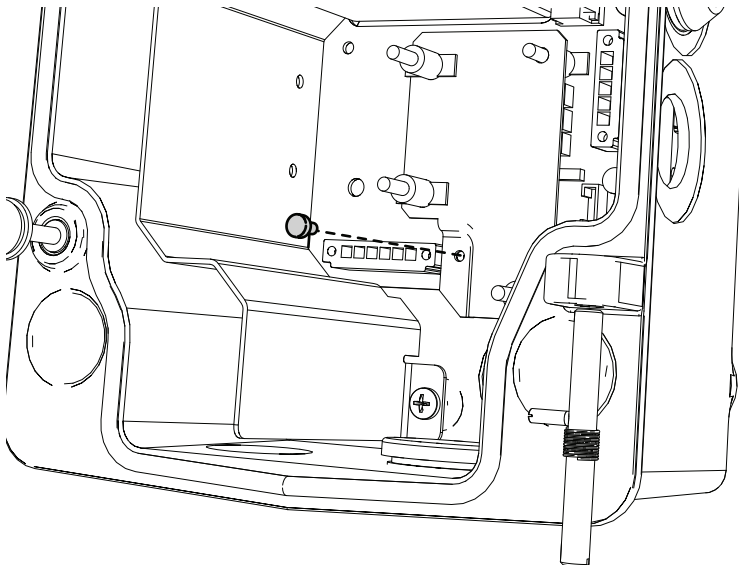


Figure 2.5 Attach base place to power supply box

8. Insert the SFP module into the VG4-SFPSCKT module:
Note: The SFP module is static sensitive. Use static handling procedures when installing or removing the module.
 - a. Ensure that the bale-clasp on the SFP module is up.
 - b. Line up the SFP module with the port on the VG4-SFPSCKT module and slide it into the port until you hear the catches engage.
9. Remove the rubber plug from the SFP module.
10. Align the anchor holes on the fiber optic module to the standoff pins on the base plate and press the module onto the standoff pins until secure.

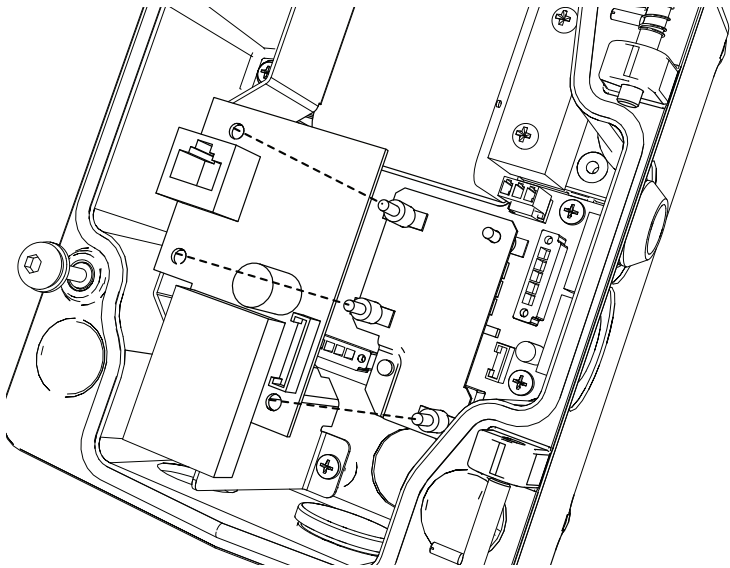


Figure 2.6 Attach Fiber Optic board to base plate

11. Attach the supplied power harness (black) to its connector on the fiber optic module.

12. Connect the RJ45 Ethernet patch cable (blue) to its socket on the fiber optic module. Then attach the other end to the female mating connector in the AutoDome pendant arm.
Note: If installing a Pipe or Roof mounted AutoDome, you will need to provide the appropriate length Ethernet cable with RJ45 connectors to reach between the AutoDome and the power supply box.
13. Route the appropriate fiber optic cable through the conduit hole on the power supply box.
14. Plug the fiber optic cable (LC or SC connector) into the SFP module inside the power supply unit.
15. Close and secure the power supply box when finished.
16. Restore the power to the power supply box.

3 Troubleshooting

Issue	Symptom	Resolution
No data present	No Power	Check power to VG4-SFPSCKT: – If Green LED is present, then Check power to CNFE2MC: – If Power LED is Green, then check data link
	Invalid Fiber Link	Check fiber connection to VG4-SFPSCKT: – If Red LED is present, then the fiber link is missing. If the LED is Flashing Red, then Check the fiber connection to the CNFE2MC: – If the Link/Act LED is not lit, then the fiber link is missing.

Issue	Symptom	Resolution
No Video present	RJ-45 Connection	<p>Check the PWR/Link on the VG4-SFPSCKT:</p> <ul style="list-style-type: none"> - If the LED is slowly Flashing Red, then <p>Check all video connections from the VG4 AutoDome.</p> <ul style="list-style-type: none"> - If the LED is rapidly Flashing Red, then <p>Check the RJ-45 connector on the VG4-SFPSCKT:</p> <ul style="list-style-type: none"> - If the right LED (Green) is not lit, then no data is present at this RJ-45 connection. - If no LED lit on the RJ-45 connector, then there is a fault with this connector, the RJ-45 cable, or the cable is not connected to the CNFE2MC. <p>Check the RJ-45 connector on the CNFE2MC:</p> <ul style="list-style-type: none"> - If the right LED (Green) is not lit, then no data is present at this RJ-45 connection. - If no LED lit on the RJ-45 connector, then there is a fault with this connector, the RJ-45 cable, or the cable is not connected to the VG4-SFPSCKT.

Americas**Bosch Security Systems, Inc.**

850 Greenfield Road
Lancaster, Pennsylvania 17601
USA

Telephone +1 888-289-0096

Fax +1 585-223-9180

Email:

security.sales@us.bosch.com

www.boschsecurity.us

Europe, Middle East, Africa:**Bosch Security Systems B.V.**

P.O. Box 80002

5600 JB Eindhoven,

The Netherlands

Phone: + 31 40 2577 284

Fax: +31 40 2577 330

emea.securitysystems@bosch.com

www.boschsecurity.com

Asia-Pacific:**Bosch Security Systems Pte Ltd**

38C Jalan Pemimpin

Singapore 577180

Phone: +65 6319 3450

Fax: +65 6319 3499

apr.securitysystems@bosch.com

www.boschsecurity.com

© Bosch Security Systems, Inc. 2009; F.01U.134.924 | 1.0 | 2009.09;

Data subject to change without notice.

Free Manuals Download Website

<http://myh66.com>

<http://usermanuals.us>

<http://www.somanuals.com>

<http://www.4manuals.cc>

<http://www.manual-lib.com>

<http://www.404manual.com>

<http://www.luxmanual.com>

<http://aubethermostatmanual.com>

Golf course search by state

<http://golfingnear.com>

Email search by domain

<http://emailbydomain.com>

Auto manuals search

<http://auto.somanuals.com>

TV manuals search

<http://tv.somanuals.com>