

For NuCraft® and Craft Lander® Boat Lifts

**Part Number: 3005.7216
Instructions Part Number:
3001.2128**

 **Warning:**

If there are any missing or damaged parts, DO NOT return Boat Lift Boss™ to the retailer.
Call the Boat Lift Boss™ Service Dept. at: 651-357-1862
E-mail - service@extrememax.com

Warranty

Extreme Max™ Boat Lift Boss™ Direct Drive Systems are warranted for consumer use for 2 years after the date of retail purchase. Warranty valid only in the USA.

Extreme Max™ Boat Lift Boss Direct Drive Systems are warranted to the original retail purchaser to be free from defects in material and workmanship, ordinary wear and tear expected. This warranty shall not apply to any defects caused by (I) overloading, (II) physical abuse of goods or any acts of vandalism by any person, (III) improper installation or use contrary to the instructions, (IV) commercial use. The sole remedy under this warranty is at the discretion of the manufacturer: the repair of the product by the manufacturer at the manufacturer's facility, or the replacement of the same or similar product. Extreme Max™ is not responsible for any consequential or incidental damages. Any and all freight charges to handle warranty claims are the responsibility of the consumer. Extreme Max™ is not responsible for any 3rd party labor charges that may be incurred.

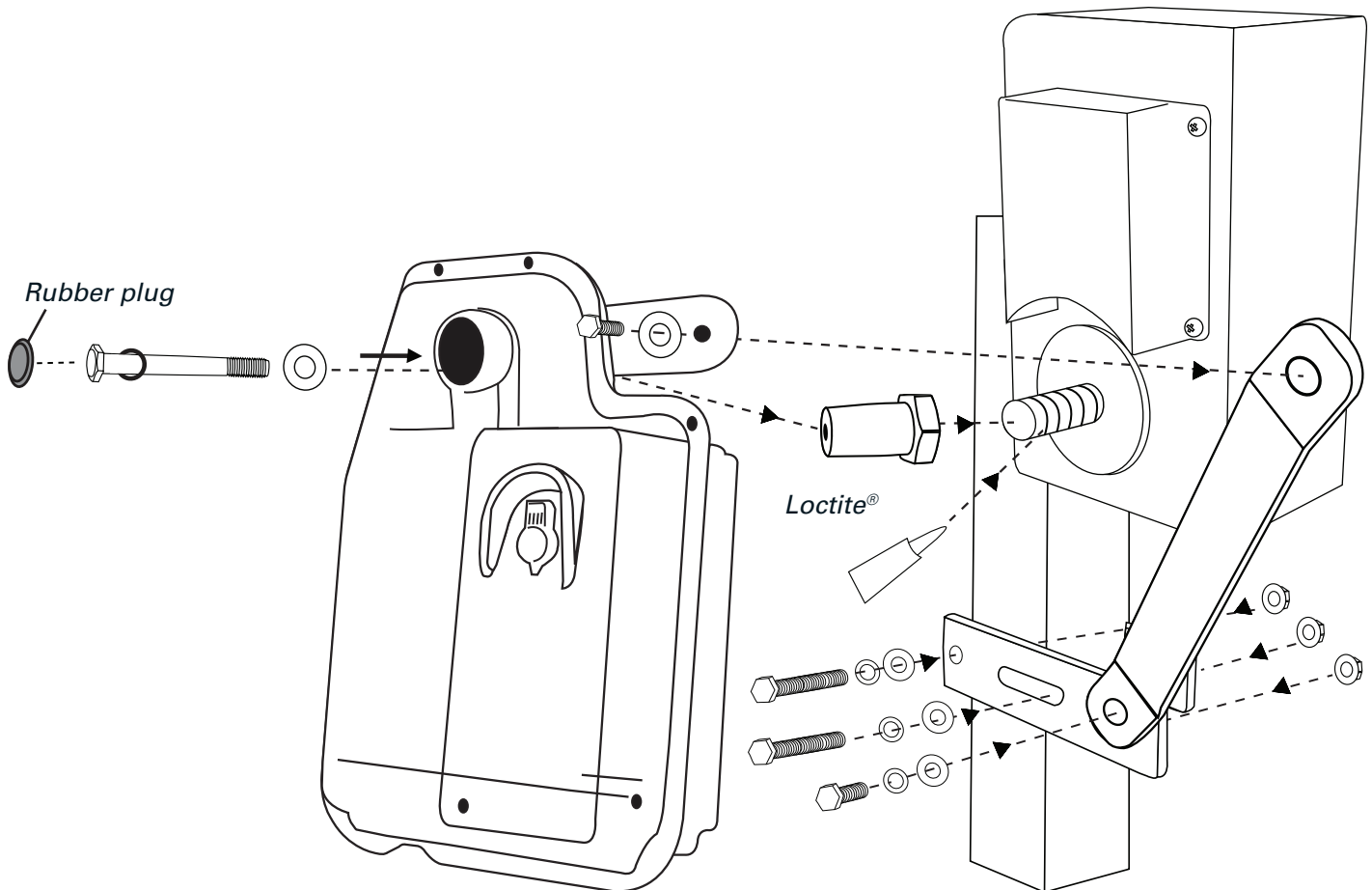
To expedite warranty service, please complete and return the Warranty Registration Card along with a copy of original retail sales receipt at the time of purchase.

To submit a warranty claim, please send your name, mailing address, original sales receipt and summary of alleged defect to service@extrememax.com. Please email or call (651) 357-1862 with questions regarding warranty service and claims.

Congratulations! You're minutes away from the convenient and quiet operation of Boat Lift Boss™.

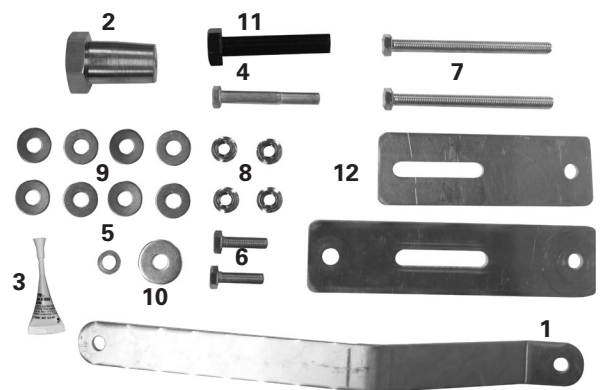
Tools Required for Installation

- 9/16" (1.42cm) socket with ratchet
- 9/16" (1.42cm) wrench
- 10mm wrench (optional)



Installation Kit Content

Qty.	Description	No.
1	- Instruction Sheet	
1	- Torque Arm	1
1	- Tapered Drive Shaft	2
1	- Loctite®	3
1	- Hardware Kit (1103.1203)	
1	- 3/8" x 2-3/4" (0.95cm x 6.98cm) Main Mounting Bolt, 24 Pitch	4
1	- 3/8" (0.95cm) Lock Washer	5
2	- 3/8" x 1-1/4" (0.95cm x 3.17cm) Stainless Steel Bolt	6
2	- 3/8" x 4-1/2" (0.95cm x 11.43cm) Full Thread Bolt	7
4	- 3/8" (0.95cm) Serrated Flange Head Lock Nut Stainless	8
8	- 3/8" (0.95cm) Flat Washer Stainless	9
1	- 3/8" x 1-1/4" (0.95cm x 3.17cm) Diameter Thick Fender Washer	10
1	- 5/8" x 3" (1.58cm x 7.62cm) Hardened Tap Bolt, 18 Pitch Puller	11
2	- Torque Arm Brackets	12



If there are any missing or damaged parts, **DO NOT** return Boat Lift Boss™ to the retailer. Call the Boat Lift Boss™ Service Department at: 651-357-1862 or e-mail - service@extrememax.com

Boat Lift Boss™ Installation

Step 1 - Lift Cradle Positioning

Lower the boat lift cradle to its lowest position until there is no tension on the cable. Secure boat with rope so it doesn't float away.

Step 2 - Removing the Wheel & Braking System

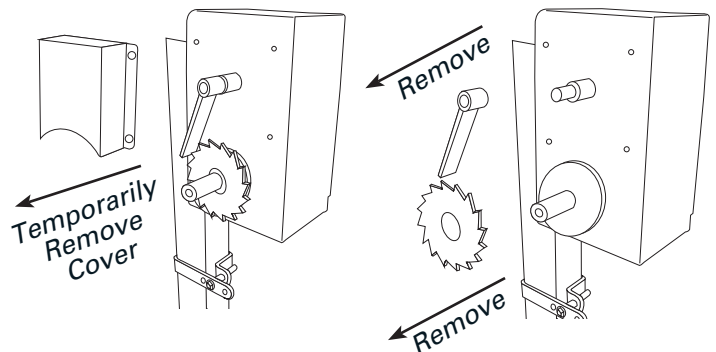
To remove the wheel from the boat lift, first remove the fastener from the center of the wheel. Turn the wheel counterclockwise until it unthreads from the winch box.

On most models of winch boxes, the cover from the winch box needs to be removed to access the ratcheting brake system.

This is the current braking system on the winch box and **MUST** be removed or damage may occur. Boat Lift Boss™ has a built-in braking system.

Unbolt and remove the ratchet pawl (the part that makes the clicking sound when raising the lift).

Reinstall the winch cover and tighten screws.



Step 3 - Installing Boat Lift Boss™

Apply Loctite® to the threads on the input shaft on the winch box. Thread the tapered drive shaft to your lift and hand tighten. Push Boat Lift Boss™ drive on to the tapered shaft.

Secure by using the 3/8" x 2-3/4" (0.95cm x 6.98cm) bolt, lock washer and 3/8" x 1-1/4" (0.95cm x 3.17cm) diameter thick fender washer. Hand tighten with 3/8" (0.95cm) ratchet and 9/16" (1.42cm) socket to approximately 20 foot lbs of torque (2.76 kgF) (Do not over tighten.)

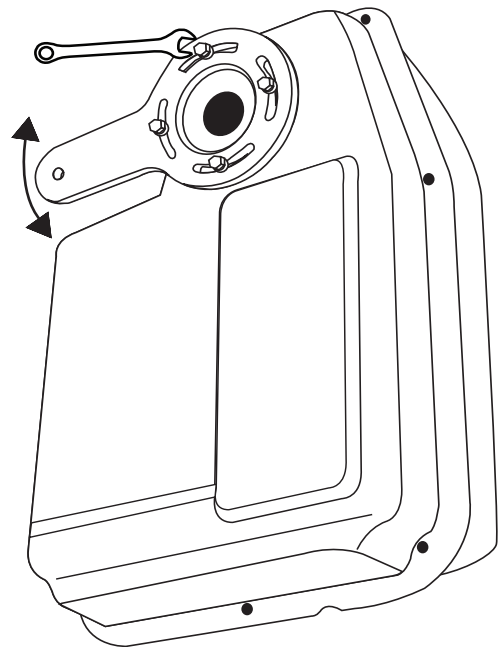
Step 4 - Final Connections & Adjustments

Assemble the two piece lower clamp around the lifts vertical upright as shown in the illustration using two 3/8" (0.95cm) bolts, four 3/8" (0.95cm) flat washers and two 3/8" (0.95cm) lock nuts.

Next, attach the bottom of the long torque arm to the two piece bracket using one 3/8" x 1-1/4" (0.95cm x 3.17cm) bolt, two 3/8" (0.95cm) flat washers and 3/8" (0.95cm) lock nut and attach the top to the Boat Lift Boss™ bracket.

Adjust the two piece bracket up or down to level the Boat Lift Boss™ housing. Tighten bolts securely.

Reinstall the black rubber plug.



Attention:

At this time it is important to check that lifting can only be done when the gear head goes in a clockwise direction. Attempting to lift in a counter-clockwise direction may unscrew the unit from the winch box, causing serious damage or injury. If you have questions or do not understand this procedure -STOP- and call the Boat Lift Boss™ Service Department at 651-357-1862 between 8:00 A.M. and 5:00 P.M. Central Standard Time, Monday - Friday or e-mail service@extrememax.com.

After all connections use a 10 mm wrench to adjust and straighten if necessary.

Safety & Use Instructions

Operation Instructions & Recommendations

For All Models

After all mechanical installation tasks are completed and all electrical connections are performed properly, the system is ready to use.

- Read all instructions and warnings prior to installation and use.
- For use by adults over age 18.
- Do not lift anything other than your boat.
- Do not overload the capacity of the lift or drive system. When lifting, do not let the cradle or pulleys make contact with the lift frame. Serious damage or injury could occur.
- Wait for the motor to come to a complete stop before changing directions.
- When lowering the lift, go down just far enough so the boat will come off of the lift. Running the system too long in the down cycle will wind the cable backwards and lift the boat, which could cause serious damage or injury.
- Put one of the two keys on a floating key chain and the spare key in a safe place.
- Misuse of this product can result in property damage, bodily injury or death.
- **In case of emergency** unplug unit from power source to disable the system.

For Remote Control Models

- Never attempt to use the key switch and the remote control at the same time. We suggest not having the key in the control box when you plan to use the remote control.
- Remote range will vary depending upon land topography and ground clutter (trees, buildings, etc.).
- Do not use remote more than 15 feet (4.5m) from the lift. This will prevent accidentally exceeding the travel limits of the boat lift. Never operate the remote out of visual contact. Severe injury or damage could occur.

Warning for 12 Volt Models:

In case of emergency pull apart the red quick connectors to shutdown the system.

Warning for 120 Volt Models:

All 120 Volt Boat Lift Boss™ units must only be used on an electrical circuit which has ground fault interrupter protection. The interrupter and its supply circuit **MUST** be installed to local and state electrical codes. The supply circuit needs to be properly sized for the correct length of run and requirements. In low voltage situations a buck boost transformer can be used to increase voltage. **Contact a licensed electrical contractor for correct installation.** Failure to wire properly and or install ground fault interrupter puts user at high risk of injury or death.

Unplug Boat Lift Boss™ when not in use or before storms to help prevent electrical damage from lightning or power surges.

Available Accessories



Battery Holder
Lift Frame Mounted
3004.0180



Battery Hanger
Canopy Mounted
3001.3285



Wiring Extension
for 12 Volt Battery
3001.2162 - 5' (1.5m)
3001.2123 - 10' (3m)
3001.2165 - 15' (4.5m)



Solar Charging System
for 12 Volt Battery
3004.0176



Deep Cycle Battery Box
3000.1217



27 LED Canopy Light Kit
3000.3139



Additional Key
Fob Remote
3001.9803

For more
information visit
www.extrememax.com

Boat Lift Boss Installation Guide for
NuCraft & Craft Lander
PART #: 3005.7216



Free Manuals Download Website

<http://myh66.com>

<http://usermanuals.us>

<http://www.somanuals.com>

<http://www.4manuals.cc>

<http://www.manual-lib.com>

<http://www.404manual.com>

<http://www.luxmanual.com>

<http://aubethermostatmanual.com>

Golf course search by state

<http://golfingnear.com>

Email search by domain

<http://emailbydomain.com>

Auto manuals search

<http://auto.somanuals.com>

TV manuals search

<http://tv.somanuals.com>