



FLEXIDOME IP panoramic 7000 MP

NIN-70122



BOSCH

en Installation Manual

Table of contents

1	Safety	5
1.1	Safety message explanation	5
1.2	Safety precautions	5
1.3	Important safety instructions	6
1.4	FCC and ICES compliance	7
1.5	Notices	8
2	Short information	9
3	System overview	10
3.1	Application variants	11
3.2	Using the camera	11
3.3	Operation with external systems	12
3.3.1	Larger surveillance systems	13
4	Planning	14
4.1	Unpacking	14
4.2	Contents	14
4.3	System requirements	15
5	Installation	16
5.1	Local storage	16
5.2	Ceiling mount	17
5.2.1	Mount flush to ceiling	17
5.2.2	Mounting with a Surface Mount Box	19
5.3	Wall mount	20
5.4	Removing the camera	21
6	Network connection	24
6.1	Network (and PoE power)	24
7	Configuration	25
7.1	Browser connection	25
7.1.1	Establishing the connection	25
7.1.2	Protected network	25
7.2	Bosch Video Client	26
7.3	Video Security Client	26
8	Troubleshooting	27
8.1	LED status overview	27

8.2	Resolving problems	28
8.3	Testing the network connection	31
8.4	Customer service	31
9	Maintenance	32
9.1	Cleaning	32
9.1.1	Lens cleaning	32
9.2	Repair	32
9.3	Reset	33
10	Decommissioning	34
10.1	Transfer	34
10.2	Disposal	34
11	Technical data	35
11.1	Specifications	35
11.2	Dimensions	41

1 Safety

1.1 Safety message explanation



Caution!

Indicates a hazardous situation which, if not avoided, could result in minor or moderate injury.



Notice!

Indicates a situation which, if not avoided, could result in damage to the equipment or environment, or data loss.

1.2 Safety precautions



Caution!

Installation should only be performed by qualified service personnel in accordance with the National Electrical Code (NEC 800 CEC Section 60) or applicable local codes.

1.3 Important safety instructions

Read, follow, and retain for future reference all of the following safety instructions. Follow all warnings before operating the device.

1. Clean only with a dry cloth. Do not use liquid cleaners or aerosol cleaners.
2. Do not install device near any heat sources such as radiators, heaters, stoves, or other equipment (including amplifiers) that produce heat.
3. Never spill liquid of any kind on the device.
4. Take precautions to protect the device from power and lightning surges.
5. Adjust only those controls specified in the operating instructions.
6. Operate the device only from the type of power source indicated on the label.
7. Unless qualified, do not attempt to service a damaged device yourself. Refer all servicing to qualified service personnel.
8. Install in accordance with the manufacturer's instructions in accordance with applicable local codes.
9. Use only attachments/accessories specified by the manufacturer.
10. Protect all connection cables from possible damage, particularly at connection points.

1.4 FCC and ICES compliance

FCC & ICES Information

This equipment has been tested and found to comply with the limits for a **Class B** digital device, pursuant to *part 15* of the *FCC Rules*. These limits are designed to provide reasonable protection against harmful interference in a **residential installation**. This equipment generates, uses, and can radiate radio frequency energy and, if not installed and used in accordance with the instructions, may cause harmful interference to radio communications. However, there is no guarantee that interference will not occur in a particular installation. If this equipment does cause harmful interference to radio or television reception, which can be determined by turning the equipment off and on, the user is encouraged to try to correct the interference by one or more of the following measures:

- reorient or relocate the receiving antenna;
- increase the separation between the equipment and receiver;
- connect the equipment into an outlet on a circuit different from that to which the receiver is connected;
- consult the dealer or an experienced radio/TV technician for help.

Intentional or unintentional modifications, not expressly approved by the party responsible for compliance, shall not be made. Any such modifications could void the user's authority to operate the equipment. If necessary, the user should consult the dealer or an experienced radio/television technician for corrective action.

The user may find the following booklet, prepared by the Federal Communications Commission, helpful: *How to Identify and Resolve Radio-TV Interference Problems*. This booklet is available from the U.S. Government Printing Office, Washington, DC 20402, Stock No. 004-000-00345-4.

1.5 Notices

**Notice!**

Optical elements are sensitive and should be protected at all times. Do not allow objects to come into contact with glass surfaces and do not touch optical elements with your fingers.

**Notice!**

Video loss is inherent to digital video recording; therefore, Bosch Security Systems cannot be held liable for any damage that results from missing video information. To minimize the risk of losing information, we recommend multiple, redundant recording systems, and a procedure to back up all analog and digital information.

**Notice!**

We recommend that memory cards only be used for local storage of alarm recordings.

2 Short information

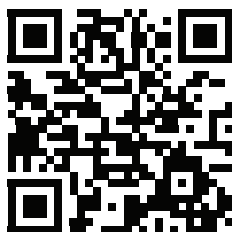
This manual has been compiled with great care and the information it contains has been thoroughly verified. The text was correct at the time of printing, however, the content can change without notice. Bosch Security Systems accepts no liability for damage resulting directly or indirectly from faults, incompleteness or discrepancies between this manual and the product described.

Trademarks

All hardware and software product names used in this document are likely to be registered trademarks and must be treated accordingly.

More information

For more information please contact the nearest Bosch Security Systems location or visit www.boschsecurity.com



http://www.boschsecurity.com/catalog_overview.htm

3 System overview

The FLEXIDOME IP panoramic 7000 MP is a discreet, aesthetic, low-profile camera for indoor use. The 12MP sensor operating at 30 fps provides full panoramic surveillance with complete area coverage, fine details and high speeds. The camera offers full situational awareness and simultaneous E-PTZ views in high resolution.

Unobtrusive design and easy installation

The low profile of the camera makes it exceedingly suitable for installations where aesthetics are important. Its unobtrusive nature allows it to fit in with architectural features without detracting from the surroundings. Museums, historic buildings or impeccably designed interiors will all benefit from the discreet design.

The camera is easily mounted to any surface using a twist-click mechanism via the supplied mounting ring. The high quality IR corrected lens is factory focused and is not restricted by a bubble, so installation is simplified and sharpness is assured. The LED indicators, reset button and SD card slot are easily accessed via two hinges at the front of the camera. A complete set of indoor mounting accessories, such as a surface mount box or a pendant pipe mount, are available.

Power for the camera is supplied via a Power-over-Ethernet compliant network cable connection. With this configuration, only a single cable connection is required to view, power, and control the camera.

Advantages of panoramic surveillance

Panoramic surveillance offers full 180° or 360° coverage of the designated area. Because our panoramic cameras cover the full area, they provide complete situational awareness and are ideally suited to following movement in one continuous sweep.

The 360° version of the camera, when mounted centrally on a ceiling, gives complete wall-to-wall coverage. The 180° version has a higher effective resolution and is ideal for wall mounting or for ceiling mounting in corridors.

3.1 Application variants

The camera has a choice of application variants that set up the camera for optimum performance in a specific environment. Select the application variant best suited to your installation. The application variant must be selected before any other changes are made, as the camera reboots automatically and resets the factory defaults when the application variant is changed.

This camera has the following application variants:

- Client-side dewarping
- Edge dewarping

3.2 Using the camera

To access the features of the camera, use a web browser. The browser provides live viewing of the camera streams in the interface window, and also allows you to access and change the extensive list of settings and parameters for camera configuration. Refer to the software manual for more information on the browser interface.

The camera recording and storage functions include local alarm recording and recording to iSCSI-based systems. The camera can also use the Bosch Video Recording Manager (VRM) to control recording and storage. Integration with the many Bosch recording solutions is seamless.

3.3 Operation with external systems

The web browser is the most direct way of using the camera, however, the Bosch download store provides several other free applications (listed below) for viewing and controlling the camera.

Download store

Download the latest applications and firmware from:
<http://downloadstore.boschsecurity.com/>



Video Security Client

The Video Security Client is a free, easy-to-use video-surveillance application provided by Bosch for local and remote monitoring of IP cameras and appliances. The software supports up to 16 cameras.

The Video Security Client has extensive dewarping capabilities and can be used for client-side dewarping as well as for viewing the available modes.

Bosch Video Client

The Bosch Video Client is a free Windows application to view, operate, control, and administer surveillance cameras and installations at remote locations. It offers a user-friendly interface for easy live viewing of multiple cameras, playback, forensic search and export.

IP Helper

The IP Helper tool is a free PC application that makes it easy to detect Bosch cameras and devices on your network.

3.3.1 Larger surveillance systems

Bosch Video Management System

The Bosch Video Management System is a unique enterprise IP video surveillance solution that provides seamless management of digital video, audio and data across any IP network. It is designed to work with Bosch security products as part of a total video surveillance management system.

Third-party integration

Third-party integrators can easily access the internal feature set of the camera for integration into large projects. Access to IVA metadata is available to integrators via RTSP.

When connected to external systems, many of the camera configuration parameters are controlled by the system and not by the settings made via a web browser.

4 Planning

4.1 Unpacking

This equipment should be unpacked and handled with care. If an item appears to have been damaged in shipment, notify the shipper immediately.

Verify that all parts are included. If any items are missing, notify your Bosch Security Systems Sales or Customer Service Representative.

The original packaging is the safest container in which to transport the unit and can be used if returning the unit for service.

4.2 Contents

The packaging contains:

- FLEXIDOME IP panoramic 7000 MP camera
- Quick install instructions
- Identification labels
- Mounting ring
- 2 x Allen keys (T10 and 1.5)
- 4 x screws (4.5 x 40)
- 4 x plugs
- 2 x washers (M4 x 14) for mounting to 4s box
- Surface Mount Box with four M5 screws (delivered separately with SMB versions of the camera)

4.3 System requirements

To enjoy the full benefits of megapixel resolutions, ensure that the computer, the graphic adapter, the display connections, and the monitor are sufficiently powerful to view our camera images at their best.

Our recommendations are:

- Computer with Dual core HyperThreading processor or better
- Graphic card with performance that matches or is better than the resolution of the camera
- Windows 7 or later operating system
- Network access
- Internet Explorer version 11 or later

- or -

Application software, for example, Video Security Client, Bosch Video Client or Bosch Video Management System.



Notice!

Megapixel cameras can generate high bitrate streams. Ensure that your network can handle high volume traffic and that you use a powerful, high performance computer.

5 Installation

5.1 Local storage

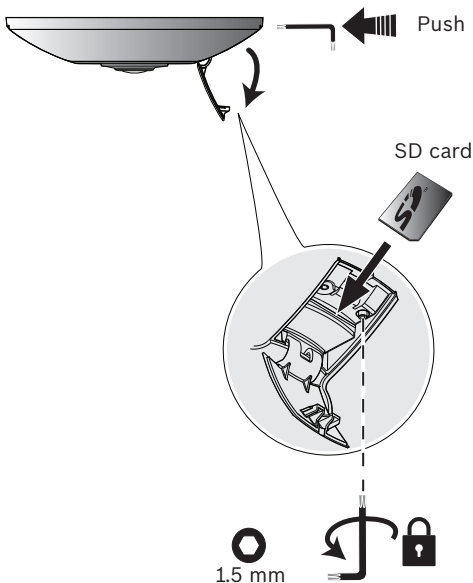
Notice!



Local storage on SD cards should only be used for alarm recording. To minimize the risk of losing information, use multiple, redundant recording systems and a procedure to back up all digital information.

Inserting an SD card

1. Push a small object (for example, the 1.5 Allen key) into the opening above the access flap to open it (push straight, do not wobble).
2. Slide the memory card into the slot until it latches into place.
3. Turn the locking screw counterclockwise to lock the card into place.

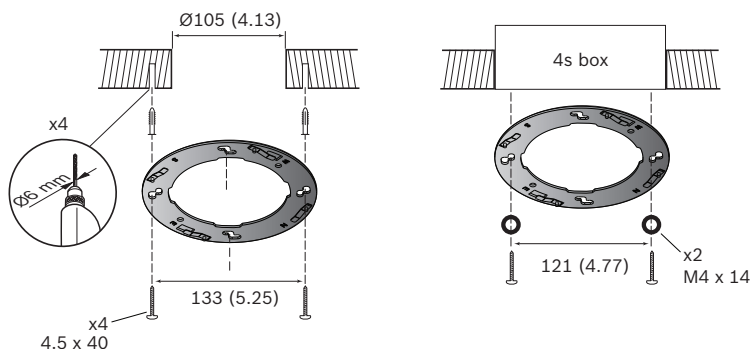


5.2 Ceiling mount

5.2.1 Mount flush to ceiling

To flush mount the camera in a ceiling:

1. Use the mounting ring to mark out the recess hole and to mark the four mounting holes. The mounting holes PCD is 133 mm (5.25 in)
2. Cut out the inner recess hole: $\text{Ø}105$ mm (4.13 in).
3. Drill four holes with a diameter of 6 mm (0.24 in).
4. Insert the supplied mounting plugs (6 x 30) into the holes.
5. Use the supplied screws (4.5 x 40) to securely attach the mounting ring to the ceiling surface:

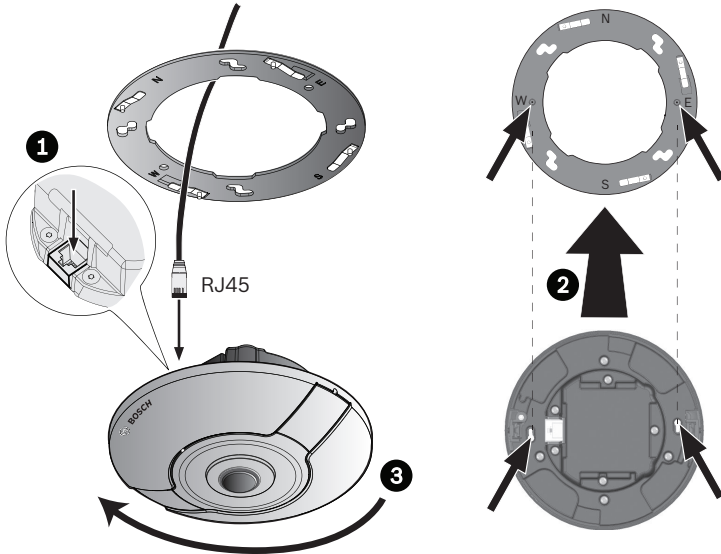


Note:

If using a recessed 4s mounting box, attach the mounting ring using two screws and the supplied washers (M4 x 14).

Attach the camera body

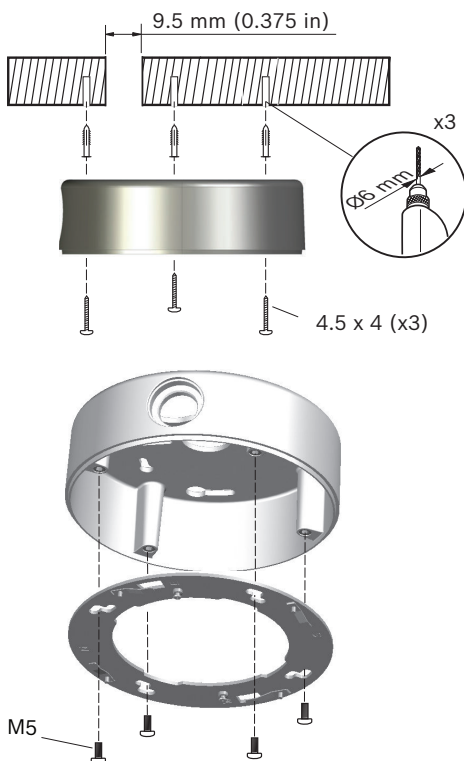
1. Insert the Ethernet cable into the RJ45 connector on the back of the camera.
2. Mount the slots on the back of the camera onto the studs of the mounting ring.
3. Rotate the camera body clockwise until it clicks into place.



5.2.2 Mounting with a Surface Mount Box

To mount the camera using a Surface Mount Box (SMB):

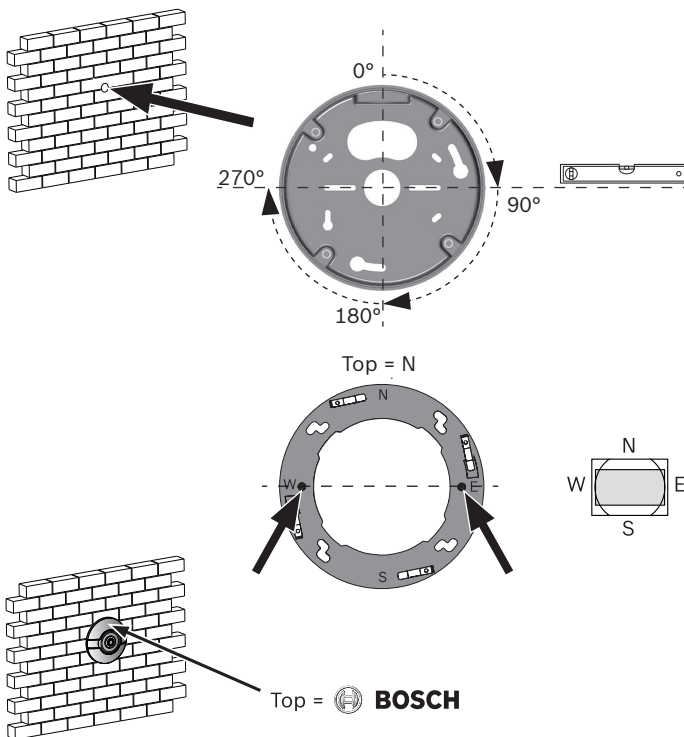
1. Use the SMB to mark out the cable hole (if required) and to mark the three mounting holes. The PCD is 123 mm (4.84 in).
2. Drill three holes with a diameter of 6 mm (0.24 in).
3. Insert the supplied mounting plugs (6 x 30) into the holes.
4. Use the supplied screws (4.5 x 40) to securely attach the SMB to the surface:
5. Use the four screws (M5) to attach the mounting ring to the SMB.
6. Attach the camera body to the mounting ring as described above.



5.3 Wall mount

Use the Surface mount box (SMB) to mount the camera on a wall as described above. It is however, very important to pay attention to the following points:

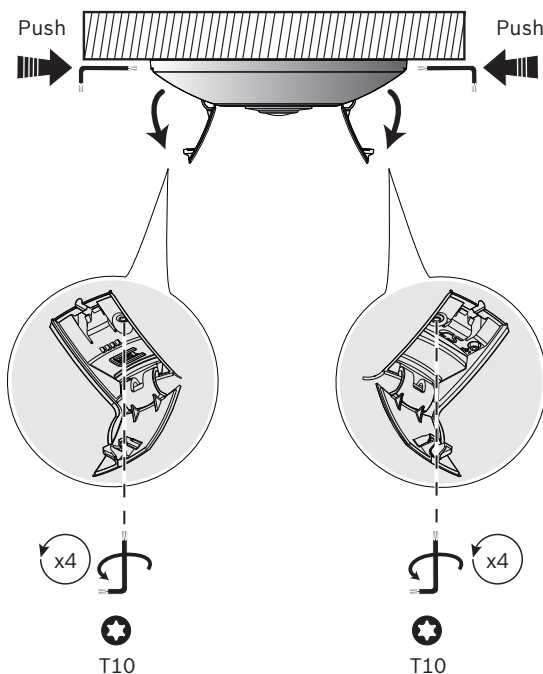
- Ensure that the SMB is mounted in one of the four 90° rotation positions and that it is horizontal along the axes shown. (Use the slots as a reference.)
- When attaching the mounting ring, ensure that the **N** is at the top.
- When attaching the camera body, ensure that the Bosch logo is at the top.



5.4 Removing the camera

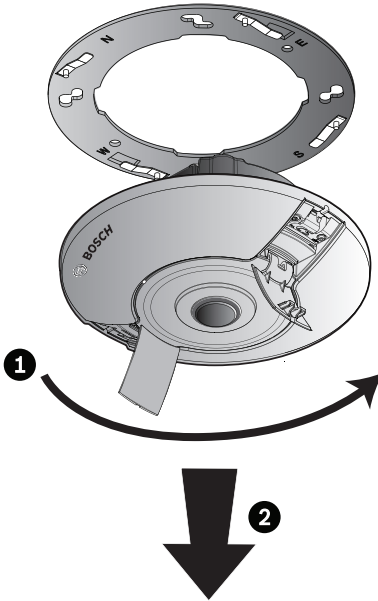
Loosen the mounting screws

1. Push a small object (for example, the 1.5 Allen key) into the opening above the access flaps to open them (push straight, do not wobble).
2. Using the T10 Allen key, turn each mounting screw four full turns counterclockwise to loosen them.



Remove camera

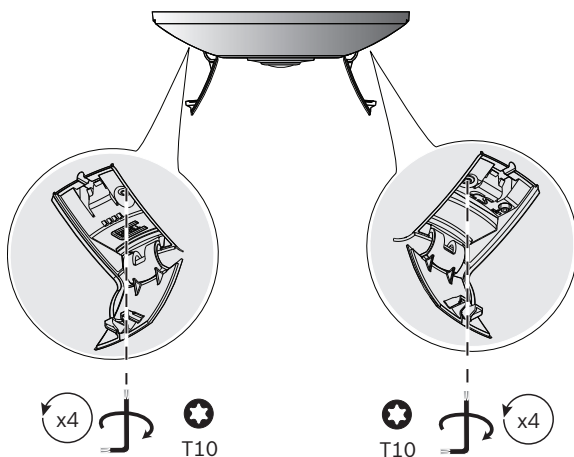
1. Turn the camera counterclockwise to disconnect it from the mounting ring.
2. Disconnect the Ethernet cable and remove the camera.



Reset the mounting screws

It is important to reset the mounting screws to ensure correct remounting of the camera.

1. Using the T10 Allen key, turn each mounting screw four full turns clockwise to tighten them (this resets the mounting clips).
2. Close the flaps.



6 Network connection

6.1 Network (and PoE power)

Connect the camera to a 10/100 Base-T network:

- Use STP Category 5e cable with RJ45 connectors (the camera network socket is Auto MDIX compliant).
- Power is supplied to the camera via the Ethernet cable compliant with the Power-over-Ethernet standard.



Notice!

Use only PoE approved devices.

7 Configuration

7.1 Browser connection

A computer with Microsoft Internet Explorer is used to receive live images, control the unit, and replay stored sequences. The unit is configured over the network using the browser.

7.1.1 Establishing the connection

The unit must have a valid IP address to operate on your network and a compatible subnet mask. By default, DHCP is pre-set at the factory to **On** and so your DHCP server assigns an IP address. With no DHCP server the default address is 192.168.0.1

1. Start the Web browser.
2. Enter the IP address of the unit as the URL.
3. During initial installation, confirm any security questions that appear.

IP Helper

The IP Helper tool is a free PC application that makes it easy to detect Bosch cameras and devices on your network.

7.1.2 Protected network

If a RADIUS server is used for network access control (802.1x authentication), the unit must be configured first. To configure the unit, connect it directly to a computer using a network cable and configure the two parameters, **Identity** and **Password**. Only after these have been configured can communication with the unit via the network occur.

7.2 Bosch Video Client

The Bosch Video Client is a free Windows application to view, operate, control, and administer surveillance cameras. It can be downloaded from:

<http://downloadstore.boschsecurity.com/>

The Configuration Manager, which is part of the Video Client, is a useful tool for locating the IP addresses of cameras in your network. Refer to the relevant Operation Manual for more information.

7.3 Video Security Client

Video Security Client

The Video Security Client is a free, easy-to-use video-surveillance application provided by Bosch for local and remote monitoring of IP cameras and appliances. The software supports up to 16 cameras.

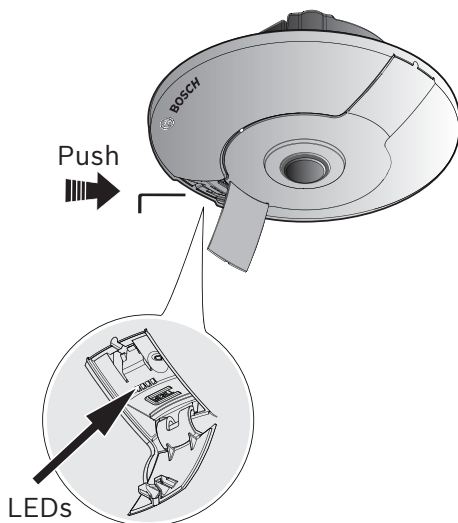
The Video Security Client has extensive dewarping capabilities and can be used for client-side dewarping as well as for viewing the available modes.

8 Troubleshooting

8.1 LED status overview

The camera has four LEDs that are visible when the side flap is opened:

- Two LEDs (green and red) indicate the camera status
- Two LEDs (green and orange) indicate the LAN status



8.2 Resolving problems

The following table is intended to help identify the causes of malfunctions and correct them where possible.

Malfunction	Possible causes	Solution
Unit does not operate.	Power failure.	Check power supply.
	Faulty cable connections.	Check all cables, plugs, contacts and connections.
No connection established, no image transmission.	Incorrect unit configuration.	Check all configuration parameters (reset to factory default if necessary).
	Faulty installation.	Check all cables, plugs, contacts and connections.
	Wrong IP address.	Check the IP addresses (ping).
	Faulty data transmission within the LAN.	Check the data transmission with ping.
	The maximum number of connections has been reached.	Wait until there is a free connection and call the transmitter again.

No audio transmission to remote station.	Hardware fault.	Check that all connected audio units are operating correctly.
	Faulty cable connections.	Check all cables, plugs, contacts and connections.
	Incorrect configuration.	Check audio parameters on the Audio configuration and LIVE page functions pages.
	The audio voice connection is already in use by another receiver.	Wait until the connection is free and then call the sender again.
The unit does not report an alarm.	Alarm source is not selected.	Select possible alarm sources on the Alarm sources configuration page.
	No alarm response specified.	Specify the desired alarm response on the Alarm connections configuration page; if necessary change the IP address.

The unit is not operational after a firmware upload.	Power failure during programming by firmware file.	Have the unit checked by Customer Service and replace if necessary.
	Incorrect firmware file.	Enter the IP address of the unit followed by /main.htm in your Web browser and repeat the upload.
Placeholder with a red cross instead of the ActiveX components.	JVM not installed on your computer or not activated.	Install JVM.
Web browser contains empty fields.	Active proxy server in network.	Create a rule in the local computer's proxy settings to exclude local IP addresses.
The camera LED flashes red.	Firmware upload failed.	Repeat firmware upload.

8.3 Testing the network connection

The ping command can be used to check the connection between two IP addresses. This allows testing whether a device is active in the network.

1. Open the DOS command prompt.
2. Type `ping` followed by the IP address of the device.

If the device is found, the response appears as "Reply from ... ", followed by the number of bytes sent and the transmission time in milliseconds. Otherwise, the device cannot be accessed via the network. This might be because:

- The device is not properly connected to the network. Check the cable connections in this case.
- The device is not correctly integrated into the network. Check the IP address, subnet mask, and gateway address.

8.4 Customer service

If a fault cannot be resolved, please contact your supplier or system integrator, or go directly to Bosch Security Systems Customer Service.

The version numbers of the internal firmware can be viewed on a service page. Please note this information before contacting Customer Service.

1. In the address bar of your browser, after the unit IP address, enter: `/version`
for example: `192.168.0.80/version`
2. Write down the information or print out the page.

9 Maintenance

9.1 Cleaning

It is generally sufficient to use a dry cloth for cleaning, but a moist lint-free cloth or leather shammy may also be used. Do not use liquid cleaners or aerosol cleaners.

9.1.1 Lens cleaning

It is important to keep the lens clean to ensure optimum performance. Dust, grease, or fingerprints should be removed from the lens surface. When cleaning the lens, take extra care not to damage the special coating used to reduce light reflections.

- Remove dust with a blower-brush or grease-free soft brush.
- Wipe water drops off the lens with a clean soft lint-free cloth and dry the lens surface.
- Use special lens cleaning paper or cloth treated with lens cleaning fluid to gently wipe off any remaining dirt (wipe spirally from the lens center towards the edge).

9.2 Repair

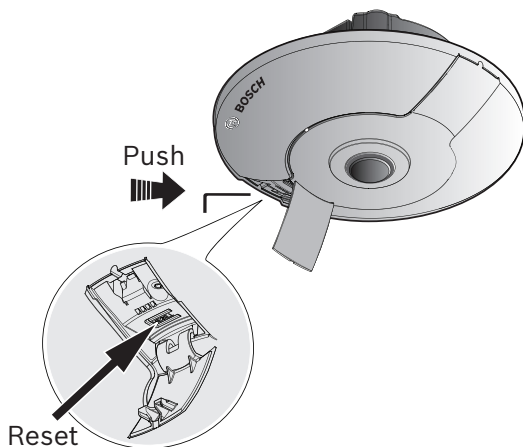
**Notice!**

Never open the casing of the unit

The unit does not contain any user-serviceable parts. Refer all repairs to suitable qualified specialists.

9.3 Reset

Use the factory reset button to restore the unit to its original settings. Any changes to the settings are overwritten by the factory defaults. A reset may be necessary, for example, if the unit has invalid settings that prevent it from functioning as desired.



10 Decommissioning

10.1 Transfer

The unit should only be passed on together with this installation guide.

10.2 Disposal



Disposal - Your Bosch product was developed and manufactured with high-quality material and components that can be recycled and reused. This symbol means that electronic and electrical appliances, which have reached the end of their working life, must be collected and disposed of separately from household waste material. Separate collecting systems are usually in place for disused electronic and electrical products. Please dispose of these units at an environmentally compatible recycling facility, per *European Directive 2012/19/EU*.

11 Technical data

11.1 Specifications

Power	
Power Supply	Power-over-Ethernet 48 VDC nominal
Power Consumption	140 mA 200 mA (Intelligent Video Analytics version)
PoE	IEEE 802.3af (802.3at Type 1)

Sensor	
Type	1/2.3-inch CMOS
Total sensor pixels	12MP
Used pixels (180° version)	3648 x 2160 (8MP)
Used pixels (360° version)	2640 x 2640 (7MP)

Video performance – Sensitivity – 360° lens	
(3100K, reflectivity 89%, F2.8, 30IRE)	
Color	0.55 lx
Mono	0.18 lx

Video performance – Sensitivity – 180° lens	
(3100K, reflectivity 89%, F2.8, 30IRE)	
Color	0.46 lx
Mono	0.15 lx

Video performance – Dynamic range	
Dynamic range	92 dB WDR (+16 dB IAE)

Video streaming	
Video compression	H.264 (MP); M- JPEG
Streaming	Multiple configurable streams in H.264 and M-JPEG, configurable frame rate and bandwidth. Multiple channels with edge dewarping. Regions of Interest (ROI)
Overall IP Delay	Min. 120 ms, Max. 340 ms
Encoding interval	1 to 25 [30] ips

Video resolution (H x V) – 180° version		
Video 1 channel	Image circle	3640 x 2160
Video 2 channel	Panoramic	2688 x 800
	E-PTZ	2048 x 1152
	Corridor	1600 x 1200
Video 3 channel	E-PTZ	1280 x 720

Video resolution (H x V) – 360° version		
Video 1 channel	Full image circle	2640 x 2640
Video 2 channel	Full panoramic	3584 x 504
	E-PTZ	1536 x 864
	Quad	1536 x 864
	Panoramic	2688 x 800
	Double panoramic	1920 x 1080

Video resolution (H x V) – 360° version		
	Corridor	1600 x 1200
Video 3 channel	E-PTZ	1280 x 720

Video functions	
Day/Night	Color, Monochrome, Auto (adjustable switchover points)
Adjustable picture settings	Contrast, Saturation, Brightness
White Balance	2500 to 10000K, 4 automatic modes (Basic, Standard, Sodium vapor, Dominant color), Manual mode and Hold mode
Shutter	Automatic Electronic Shutter (AES) Fixed (1/30 [1/25] to 1/15000) selectable Default shutter
Sharpness	Sharpness enhancement level selectable
Backlight compensation	Off / On / Intelligent Auto Exposure (BLC)
Contrast enhancement	On/off
Noise reduction	Intelligent Dynamic Noise Reduction with separate temporal and spatial adjustments
Intelligent defog	Intelligent Defog automatically adjusts parameters for best picture in foggy or misty scenes (switchable)
Exposure region	Multiple selectable regions

Video functions	
Privacy Masking	Eight independent areas, fully programmable
Video Content Analysis	MOTION+ and Intelligent Video Analytics
Pre-positions	Six independent sectors
Display stamping	Individual names and stamps for all video channels
Other functions	Pixel counter, Video watermarking, Location

Optical	
Lens (180° version)	2.1 mm fixed-focus lens (IR corrected), F2.8
Lens (360° version)	1.6 mm fixed-focus lens (IR corrected), F2.8
Lens mount	Board mounted
Iris control	Fixed iris
Field of view (180° version)	180° (H) x 93° (V)
Field of view (360° version)	180° (H) x 180° (V)
Minimum object distance	0.1 m
Day/Night	Switched mechanical IR filter

Audio	
Audio input	Integrated microphone (can be permanently disabled)

Audio streaming	
Standard	G.711, 8 kHz sampling rate L16, 16 kHz sampling rate AAC-LC, 48 kbps at 16 kHz sampling rate AAC-LC, 80 kbps at 16 kHz sampling rate
Signal-to-Noise Ratio	>50 dB
Audio Streaming	Full-duplex / half duplex

Local storage	
Internal RAM	10 s pre-alarm recording
Memory card slot	Supports up to 32 GB SDHC / 2 TB SDXC card. (An SD card of Class 6 or higher is recommended for HD recording)
Recording	Continuous recording, ring recording, alarm/events/schedule recording

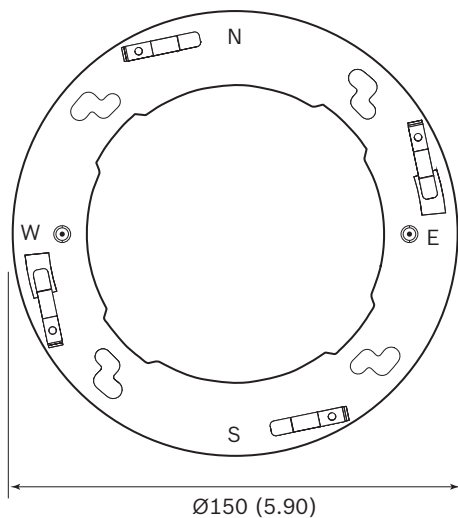
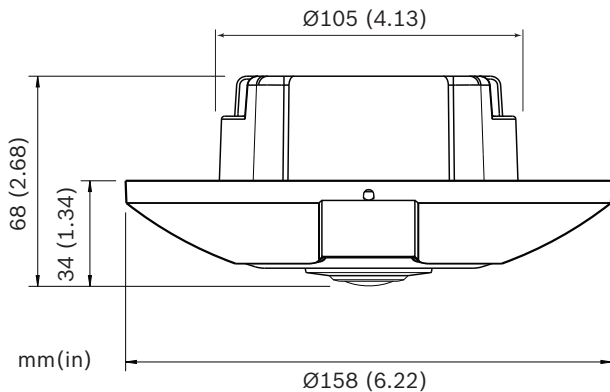
Software	
Unit Configuration	Via web browser or Configuration Manager
Firmware update	Remotely programmable
Software viewer	Web browser, Bosch Video Client, or third party software

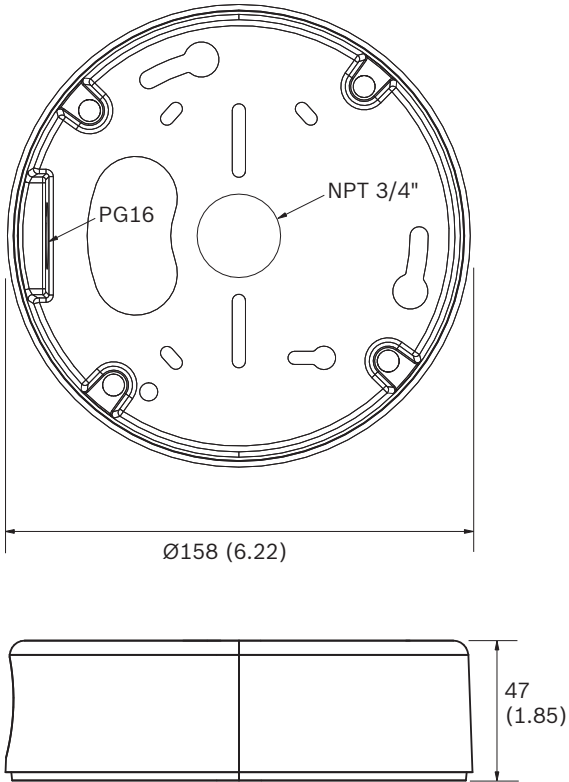
Network	
Protocols	IPv4, IPv6, UDP, TCP, HTTP, HTTPS, RTP/RTCP, IGMP V2/V3, ICMP, ICMPv6, RTSP, FTP, Telnet, ARP, DHCP, APIPA (Auto-IP, link local address), NTP (SNTP), SNMP (V1, MIB-II), 802.1x, DNS, DNSv6, DDNS (DynDNS.org, selfHOST.de, no-ip.com), SMTP, iSCSI, UPnP (SSDP), DiffServ (QoS), LLDP, SOAP, Dropbox, CHAP, digest authentication
Encryption	TLS 1.0, SSL, DES, 3DES
Ethernet	10/100 Base-T, auto-sensing, half/full duplex
Connectivity	ONVIF Profile S , Auto-MDIX

Mechanical	
Dimensions	158 x 33 mm (6.22 x 1.30 in)
Weight	445 g (0.98 lb)

Environmental	
Operating Temperature	-20°C to +40°C (-4°F to 104°F)
Storage Temperature	-20°C to +60°C (-4°F to 140°F)
Operating humidity	20% to 93% RH
Storage humidity	up to 98% RH
Vandal resistance	IK06 (Lens: IK04)

11.2 Dimensions





Bosch Security Systems B.V.

Torenallee 49

5617 BA Eindhoven

Netherlands

www.boschsecurity.com

© Bosch Security Systems B.V., 2016

Free Manuals Download Website

<http://myh66.com>

<http://usermanuals.us>

<http://www.somanuals.com>

<http://www.4manuals.cc>

<http://www.manual-lib.com>

<http://www.404manual.com>

<http://www.luxmanual.com>

<http://aubethermostatmanual.com>

Golf course search by state

<http://golfingnear.com>

Email search by domain

<http://emailbydomain.com>

Auto manuals search

<http://auto.somanuals.com>

TV manuals search

<http://tv.somanuals.com>