



Grass Catcher

MZ54 / 966721201



Please read the operator's manual carefully and make sure you understand the instructions before using the machine.

CONGRATULATIONS on the purchase of a new collection system. It has been designed, engineered and manufactured to give you the best possible dependability and performance.

Should you experience any problem you cannot easily remedy, please contact your nearest authorized service center/ department. They have competent, well-trained technicians and the proper tools for service and repairs.

Please read and retain this manual. The instructions will enable you to assemble and maintain your collection system properly. Always observe the SAFETY RULES.

KNOW YOUR BLOWER SYSTEM

READ THIS OPERATION MANUAL AND SAFETY RULES BEFORE ASSEMBLING OR OPERATING THE BLOWER SYSTEM. Compare the illustrations with the carton contents and become familiar with the parts before starting the assembly. Study the operating instructions and safety precautions thoroughly to insure proper functioning of the Grass Catcher and to prevent injuries. Save this manual for future reference.



CAUTION

BEFORE ASSEMBLING GRASS CATCHER TO MOWER:

- Set parking brake.
- Place motion control levers in NEUTRAL position.
- Turn ignition key OFF and remove key.
- Make sure the blades and all moving parts have completely stopped.



CAUTION

The operation of any mower can result in foreign objects thrown into the eyes, which can result in severe eye damage. ALWAYS wear safety glasses or eye shields before starting your mower and while mowing. Standard safety glasses are recommended or a wide vision safety mask for over spectacles.



WARNING

- DO NOT operate mower with grass catcher partially installed.
- Disengage blades and stop engine before leaving mower seat to empty containers, unclogging chutes, etc.
- Close cover before starting.
- Disengage mower blades when crossing driveways or gravel surfaces and other areas where thrown objects could be a hazard.
- DO NOT attempt to vacuum cans or other potentially hazardous projectiles.



CAUTION

Do not leave grass in bagger containers. Empty containers after each use and before storing. Failure to do so may result in spontaneous combustion which could develop into a fire.



CAUTION

Grass catcher components are subject to wear, damage and deterioration, which could expose moving parts or allow objects to be thrown. Frequently check components and replace with manufacturer's recommended parts, when necessary.

CONTENTS

SAFETY.....	4
ASSEMBLY	5
OPERATION.....	9
TIPS FOR IMPROVED BAGGING	9
GENERAL RECOMMENDATIONS	9
BLADE CARE.....	9
STORAGE.....	9
REPAIR PARTS.....	10

UNPACKING INSTRUCTIONS

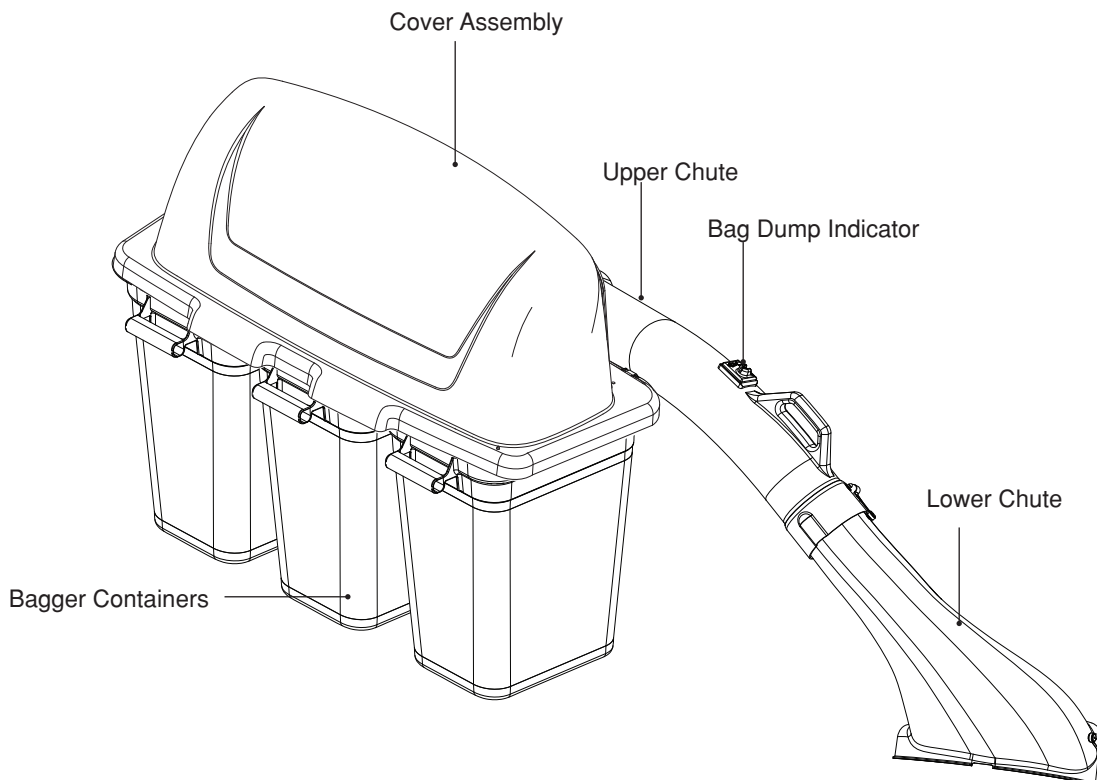
- Remove all parts and packing materials from carton.

TOOLS REQUIRED

- Wrench or ratchet and socket ($\frac{9}{16}$ ")
- Wrench or ratchet and socket ($\frac{1}{2}$ ")
- Drill and bit ($\frac{5}{16}$ ")

CONTAINER CONTENTS

- | | |
|-------------------------|--|
| 3 - Soft bag containers | 4 - Bolts $\frac{3}{8}$ -16 x $3\frac{3}{4}$ |
| 1 - Upper chute | 8 - Nuts $\frac{3}{8}$ -16, Nyloc |
| 1 - Lower chute | 8 - Bolts $\frac{5}{16}$ -18 x 1 |
| 1 - Catcher mount | 4 - Bolts $\frac{3}{8}$ -16 x $3\frac{1}{2}$ |
| 1 - Cover Assembly | |



NOTE: When right hand (RH) and left hand (LH) are mentioned in this manual, it means when seated on the mower in the operator's position.

SAFETY



SAFE OPERATION PRACTICES FOR RIDE-ON MOWERS



GENERAL OPERATION

- Read, understand and follow all instructions in the manual and on the machine before starting.
- Only allow responsible adults, who are familiar with the instructions, to operate the machine.
- Clear the area of objects such as rocks, stones, toys, wire etc., which could be picked up and thrown by the blades.
- Be sure the area is clear of all people and pets before mowing. Stop the machine if anyone enters the area.
- Never carry passengers or children even with blades off.
- Do not mow in reverse unless absolutely necessary. Always look down and behind before and while backing.
- Do not operate the mower without either the entire grass catcher or the guard in place.
- Slow down before turning.
- Stop engine before removing grass catcher or unclogging chute.
- Mow only in daylight or good artificial light.
- Do not operate the machine while under the influence of alcohol or drugs.
- If the collection system has front weights included, DO NOT operate mower with the grass catcher unless the front weights are installed.
- Keep machine free of grass, leaves or other debris buildup which can touch hot exhaust/engine parts and burn. Do not allow the mower deck to plow leaves or other debris which can cause buildup to occur.
- Allow machine to cool before storage.

SLOPE OPERATION

Slopes are a major factor related to loss-of-control and tip-over accidents, which can result in severe injury or death. All slopes require extra caution. If you cannot back up the slope or if you feel uneasy on it, do not mow it.

DO

- Use extra care with grass catchers or other attachments. These can change the stability of the machine.
- Mow up and down slopes (10° Max.), not across.
- Remove obstacles such as rocks, tree limbs, etc.

- Watch for holes, ruts, or bumps. Uneven terrain could overturn the machine. Tall grass can hide obstacles.
- Use slow speed. Choose a low speed so that you will not have to stop while on the slope.
- Keep all movement on the slopes slow and gradual. Do not make sudden changes in speed or direction.
- Avoid starting or stopping on a slope. If tires lose traction, disengage the blades and proceed slowly straight down the slope.

DO NOT

- Do not turn on slopes unless necessary, and then, turn slowly and gradually downhill, if possible.
- Do not mow near drop-off, ditches, or embankments. The mower could suddenly turn over if a wheel is over the edge of a cliff or ditch, or if an edge caves in.
- Do not mow on wet grass. Reduced traction could cause sliding.
- Do not try to stabilize the machine by putting your foot on the ground.

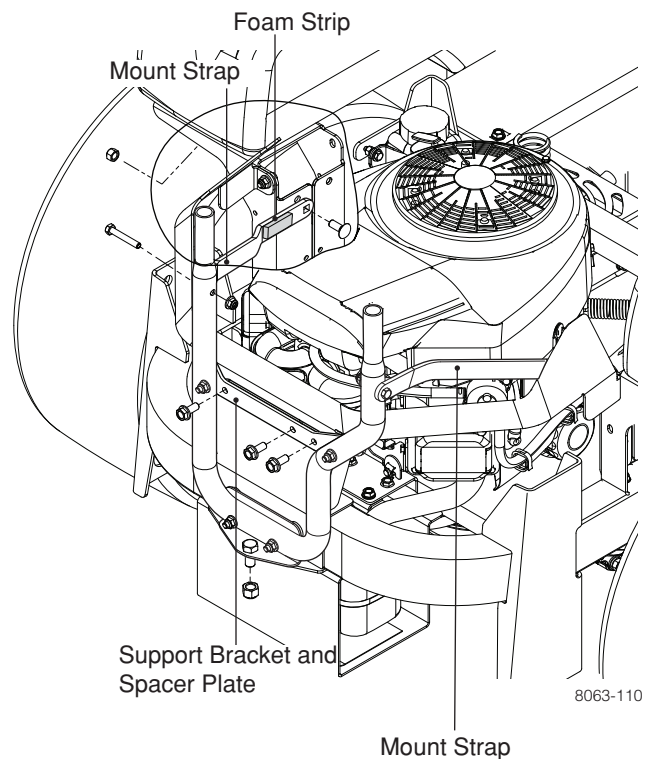
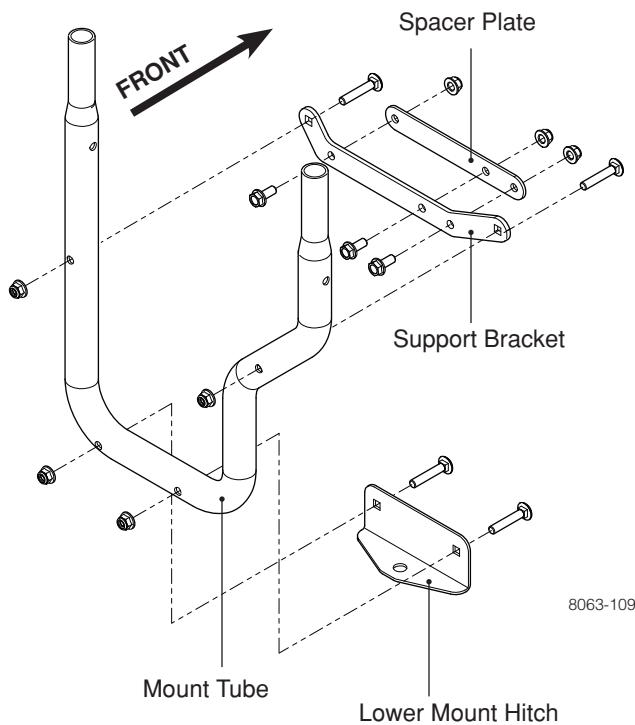
SERVICE

- The operation of any mower can result in foreign objects thrown into the eyes, which can result in severe eye damage. Always wear safety glasses or eye shields while operating the mower or performing any adjustments or repairs. Wide vision safety mask over spectacles or standard safety glasses are recommended.
- Keep nuts and bolts, especially blade attachment bolts, tight and keep equipment in good condition.
- Never tamper with safety devices. Check their proper operation regularly.
- Grass catcher components are subject to wear, damage, and deterioration, which could expose moving parts or allow objects to be thrown. Frequently check components and replace with manufacturer's recommended parts, when necessary.

ASSEMBLY

1 INSTALLING BAGGER MOUNT

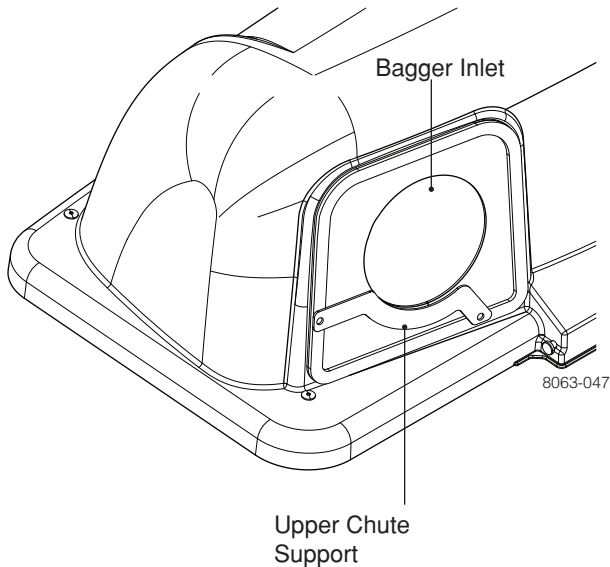
1. Select the mount tube, lower mount hitch, spacer plate and support bracket from the kit. Using $\frac{5}{16}$ -18 x $1\frac{3}{4}$ round head shoulder bolts and nuts, attach the mount hitch to the mount tube as illustrated. Ensure that the elbowed arm of the tube is on the right side, with the mount hitch installed to the front.
2. Attach the support bracket to the tube assembly with two $\frac{5}{16}$ -18 x $1\frac{3}{4}$ round head shoulder bolts and nuts.
3. With a $\frac{1}{2}$ -13 x 1 hex bolt and nut, secure the lower mount hitch to the frame.
4. Install the mount straps (bends are to the inside) on the outside of the mount tube using $\frac{5}{16}$ -18 x 2 hex bolts and nuts. The front side of the mount straps are secured to the fuel tank brackets with $\frac{3}{8}$ -16 x 1 round head shoulder bolts and nuts.
5. To prevent contact of the left hand strap and the EFM (Electronic Fuel Management) box on the engine, place the foam strip on the inside of the strap, next to the box. (Illustration location is approximate.)
6. It may necessary to drill holes into the rear guard to accept the hardware for the support bracket and spacer plate. Using the bracket as a template, drill $\frac{5}{16}$ " holes.
7. Slip the spacer plate between the support bracket and the rear guard and attach both to the rear guard with $\frac{5}{16}$ -18 x $\frac{3}{4}$ hex bolts and nuts.
8. Tighten all hardware.



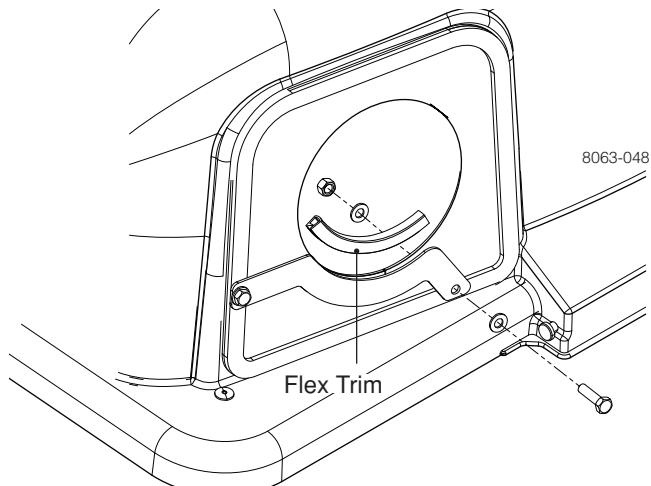
ASSEMBLY

2 INSTALLING CHUTE SUPPORT

1. Position upper chute support against bagger inlet, flush at outer edges. See Illustration.
2. Using support as a template, drill two $\frac{3}{8}$ holes into bagger hood.

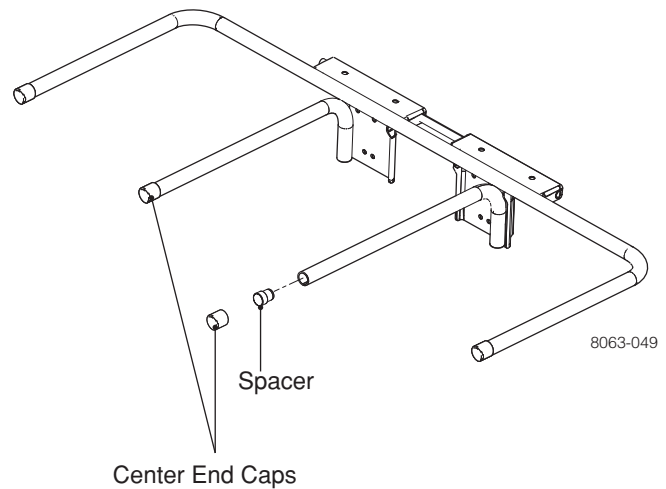


3. Secure upper chute support to hood with hex bolts, washers and nyloc nuts.



3 CONTAINER MOUNTING

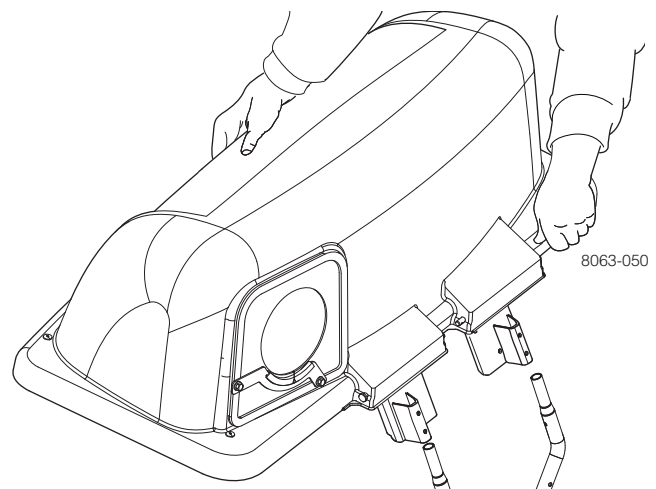
Remove plastic end caps from the center two bag support arms. Fully insert spacer plugs into the ends of the support tubes. It may be necessary to tap the spacers into place with a hammer or mallet. Replace the plastic end cap back over the spacer. The additional extension will hold the hood more securely when latched.



4 MOUNTING COVER ASSEMBLY

NOTE: Assistance from another person may ease mounting the cover assembly to mower.

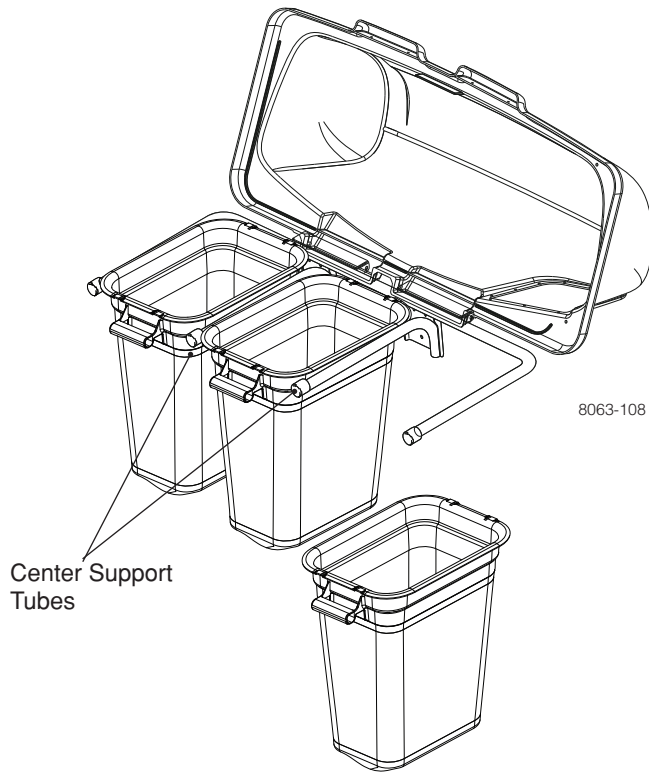
1. Lift and rotate cover to align the cover brackets with support assembly tubes.
2. Slide the cover down over the support tubes until secure.



ASSEMBLY

5 CONTAINER MOUNTING

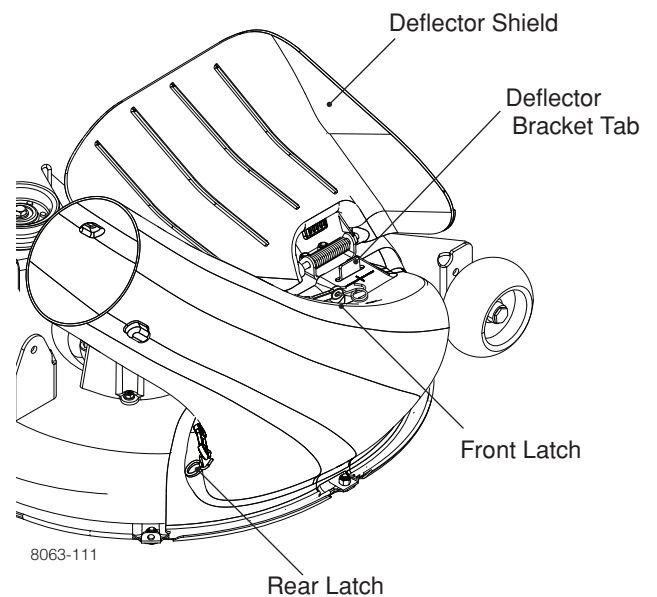
1. Install containers on supports, overlapping at center supports.
2. Close cover and lock latch handles over center support tubes.



6 LOWER CHUTE INSTALLATION

1. Raise and hold deflector shield in upright position.
2. Fit lower chute as shown and hook rear latch to mower deck.
3. Align the bracket slot on lower chute with the deflector bracket tab on the mower deck. Slide chute down over tab.
4. With the lower chute in proper position, hold the chute securely while hooking the front latch to the mower deck.

NOTE: While hooking the latches, the deflector shield may try to push the chute away from the mower deck opening. It is important to hold the chute in position while hooking the latches to the mower deck.



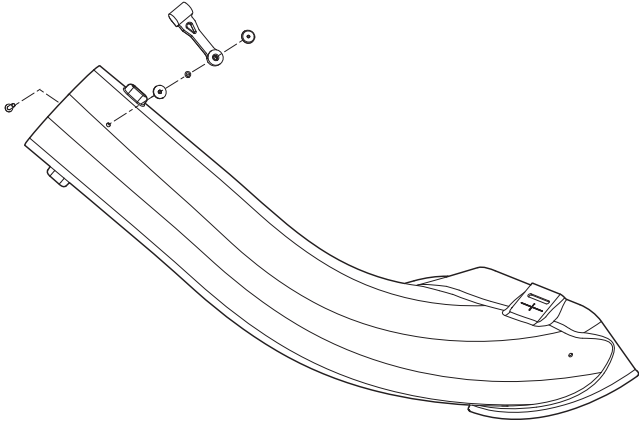
WARNING!

Before raising the deflector shield, turn the mower engine off. **DO NOT** remove the deflector shield from the mower. Raise and hold the shield when attaching the lower chute. Allow the shield to rest on the chute while in operation.

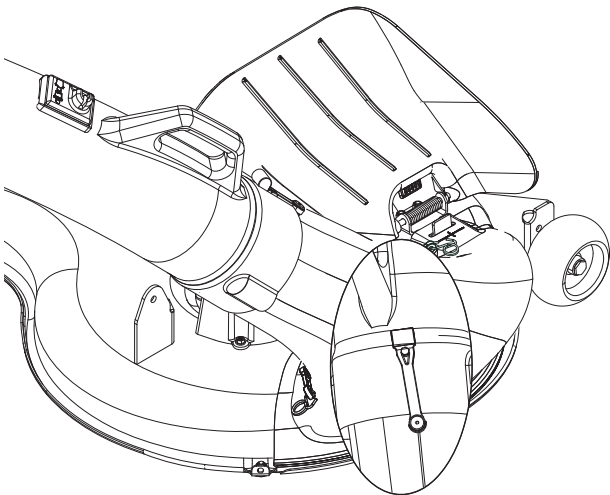
ASSEMBLY

7 UPPER CHUTE INSTALLATION

1. Attach bungee latch assembly from kit.

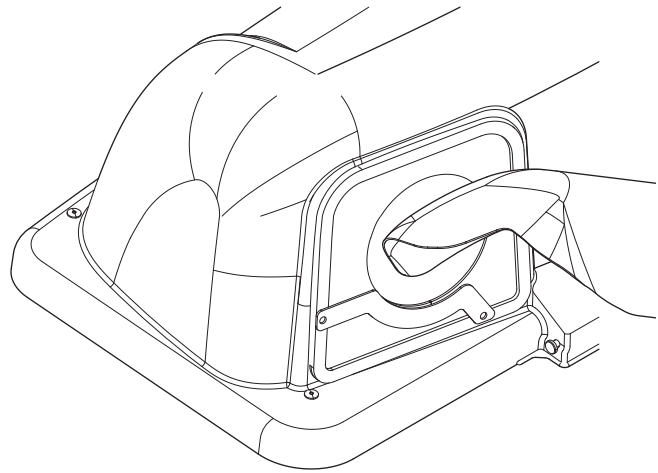


2. Slide upper chute onto lower chute, lining up notches and channels.
3. Stretch bungee latch up onto acorn nut on upper chute to secure.



8 CHUTE / HOOD INSTALLATION

1. Push the upper chute through the gasketed opening in the cover assembly.
2. Rotate the chute so the chute opening is downwards toward the container bags.



9 LEVELING THE MOWER DECK

For the best mower performance, the deck should be properly leveled. Refer to the Operator Manual for instructions.

OPERATION

TIPS FOR IMPROVED BAGGING

Follow the mower operation instructions in the mower operator's manual.

When operating your grass catcher on a lawn where grass and leaf bagging equipment has not been used, you are picking up thatch and debris that has accumulated for long periods of time. The amount collected and the total time of operation may be greater than you will experience with regular use of your grass catcher.

- Always run throttle at full speed when bagging.
- Select a speed low enough to give good mower cutting performance, good quality cut and good bagging performance.

NOTE: It may be necessary to overlap width of cut to suit conditions.

- If grass is extremely tall, it should be mowed twice. The first time relatively high, the second time to desired height.
- Use left hand side of mower for trimming.
- Plastic trash bags (3.0 mil, 30 gallon) can be inserted inside grass catcher containers for ease of debris disposal. To remove the plastic trash bags when full:
 - a. Disengage blades, shift into neutral, engage the parking brake and stop the engine.
 - b. Unlatch and raise cover.
 - c. Remove one container at a time by grasping container handles and pulling toward the rear, off of the tube rails.
 - d. With the container resting on the ground, close and secure the top of the plastic lawn bag.
 - e. Tip the container on its side and slide the filled bag from the container.
 - f. Install a new plastic lawn bag with the edges of the bag draped over upper lip of the container.
 - g. Repeat for other container.
 - h. Reinstall containers making sure right container overlaps left container at center supports.
 - i. Close cover and secure latches over center support tubes.
- Avoid cutting wet grass or in the morning while the dew is still heavy. Grass clippings collected under these conditions tend to be sticky and adhere to the walls of the flow path causing clogging.

- If the grass catcher fails to pick up cut grass or leaves, it is an indication that clogging has occurred in the system or that the grass catcher containers are full.
 - a. Disengage blades, place motion control levers in neutral position.
 - Unlatch and raise cover.
 - Slide out containers and dispose of clippings.
 - Replace containers, close cover, and latch.
 - b. Unlatch chutes and check for clogging.
 - Remove all debris in chute.
 - Reassemble and latch chutes.

GENERAL RECOMMENDATIONS

Always observe safety rules when performing any maintenance.

- Before each use check for loose fasteners.
- Clean unit thoroughly after each use.

BLADE CARE

- For best results mower blades must be kept sharp. Replace bent or damaged blades.
- See BLADE CARE instructions in your mower operator's manual.

STORAGE

When grass catcher is to be stored for a period of time, clean it thoroughly, remove all dirt, grass, leaves, etc. Store in a clean, dry place.

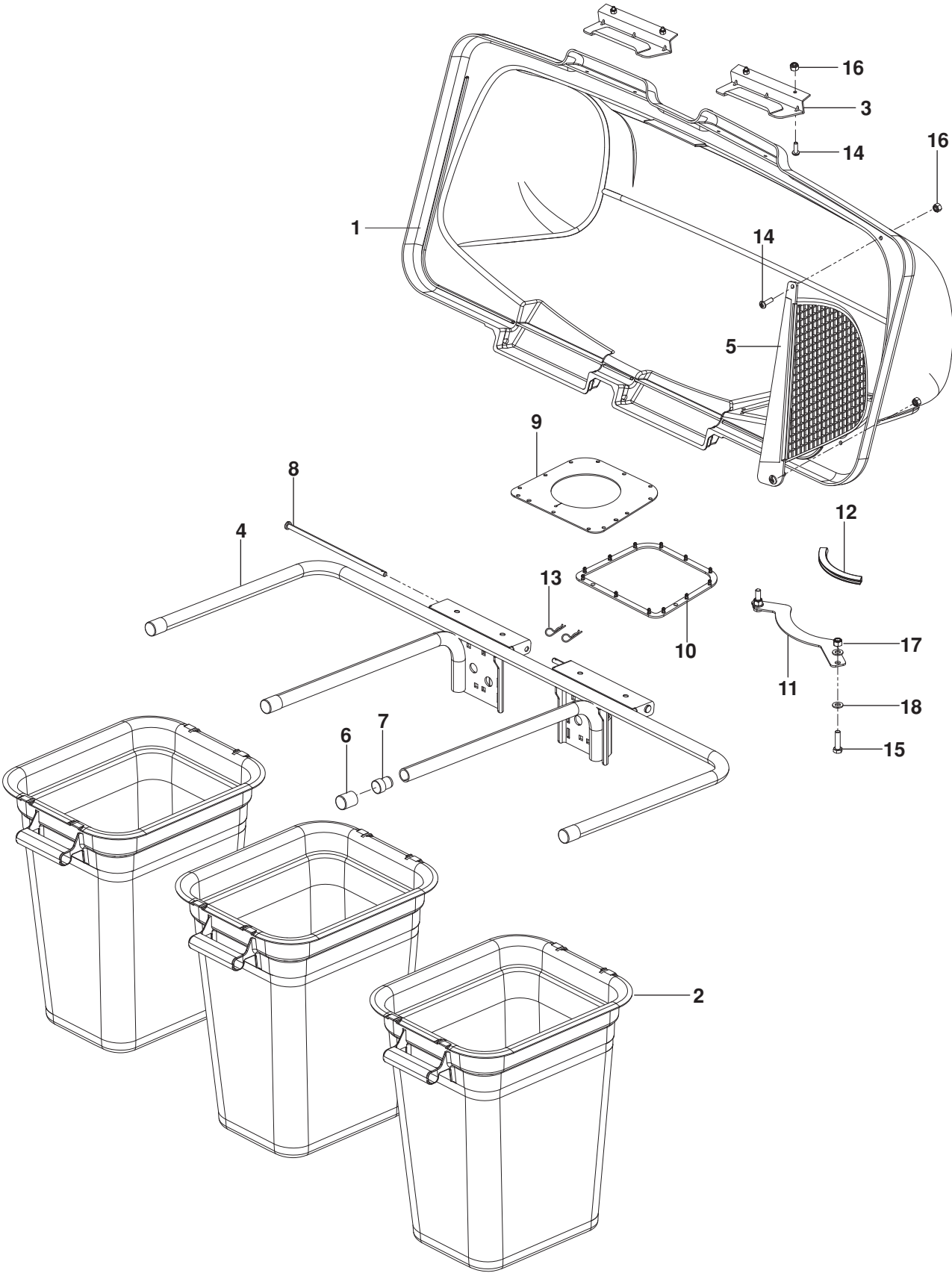
CAUTION

Grass catcher components are subject to wear, damage and deterioration, which could expose moving parts or allow objects to be thrown. Frequently check components and replace with manufacturer's recommended parts, when necessary.

CAUTION

Do not leave grass in bagger containers. Empty containers after each use and before storing. Failure to do so may result in spontaneous combustion which could develop into a fire.

REPAIR PARTS

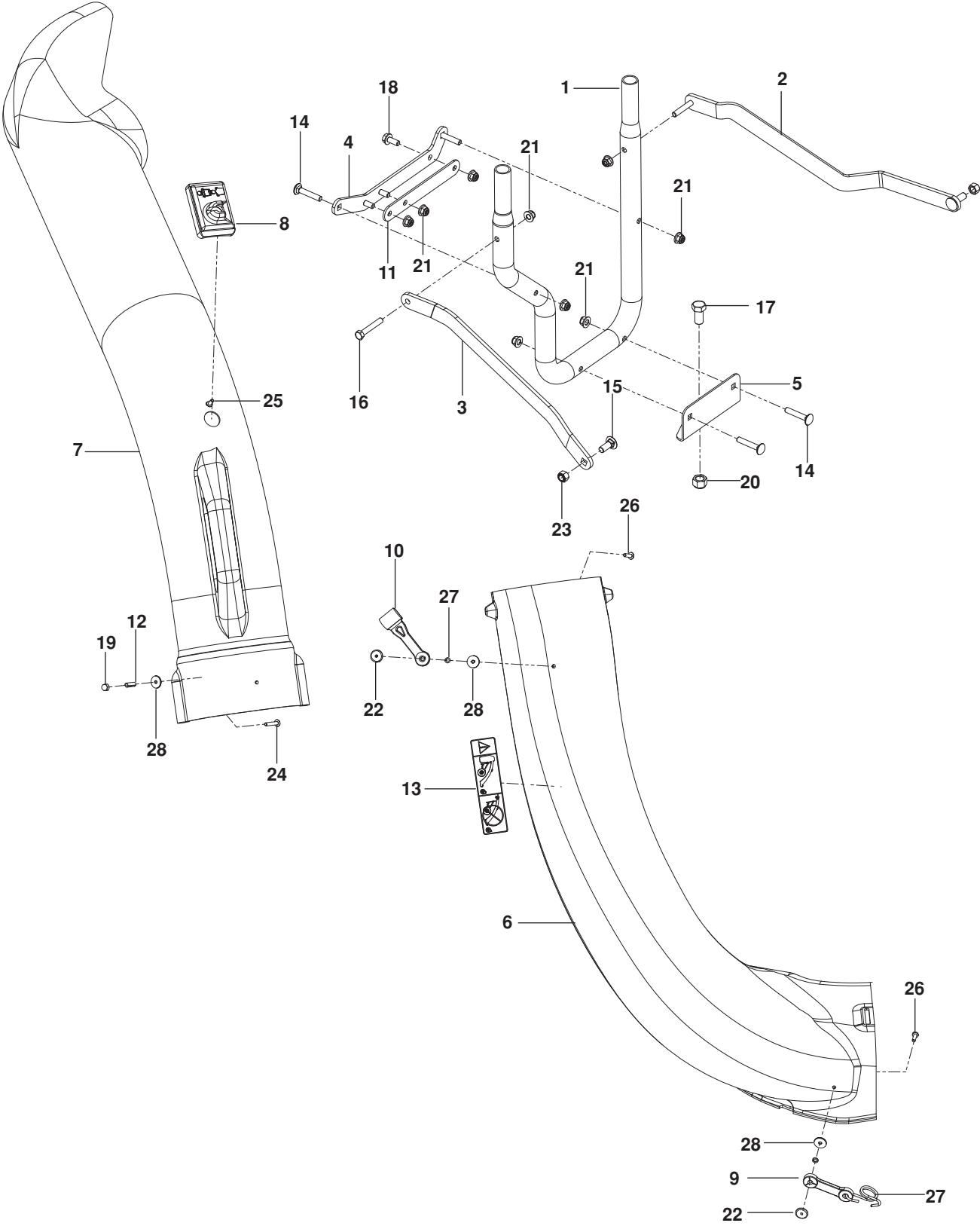


REPAIR PARTS

ITEM	PART NO.	QTY.	DESCRIPTION	ITEM	PART NO.	QTY.	DESCRIPTION
1..	532 195373....	1	COVER	10..	532 192603....	1	GASKET, COVER
2..	532 400226....	3	CONTAINER, SOFT BAG	11..	539 110281....	1	SUPPORT, CHUTE
3..	532 130895....	2	HANDLE, BAGGER COVER	12..	539 112294....	1	FLEX TRIM
4..	539 108098....	1	FRAME, BAGGER	13..	539 108096....	2	HAIR PIN
5..	532 192709....	1	SCREEN, COVER	14..	539 976952....	6	SCREW #10-24 x 5/8
6..	539 108097....	4	PLUG, TUBING END	15..	539 990627....	2	HCS 5/16-18 x 1¼
7..	522 801301....	2	PLUG, SPACER	16..	539 976977..	14	NUT #10-24 CROWNLOCK
8..	532 192786....	2	PIN, HINGE	17..	539 112899....	2	NUT 5/16-18 HEX FLG NYLOC
9..	532 192550....	1	SEAL, COVER	18..	539 990188....	2	WASHER 5/16 SAE

NOTE: ALL FASTENERS ARE GRADE 5 UNLESS OTHERWISE SPECIFIED.

REPAIR PARTS



REPAIR PARTS

ITEM	PART NO.	QTY.	DESCRIPTION	ITEM	PART NO.	QTY.	DESCRIPTION
1..	539 131091	...1	...TUBE, MOUNT	16..	539 976937	...2	...HCS $\frac{5}{16}$ -18 x 2
2..	575 9533021STRAP, LT BLK	17..	539 9906461HCS $\frac{1}{2}$ -13 x 1
3..	539 1321981STRAP, RT BLK	18..	525 4647013HHFS $\frac{5}{16}$ -18 x $\frac{3}{4}$
4..	576 2214021BRACKET, SUPPORT, BLK	19..	539 1080861NUT #10-24 ACORN
5..	539 1321921HITCH MOUNT, LOWER, BLK	20..	539 1013311NUT $\frac{1}{2}$ NYLOC
6..	539 1132041CHUTE, LOWER	21..	539 1128999NUT $\frac{5}{16}$ NYLOC
7..	539 1081411CHUTE, UPPER	22..	539 1080893WELD NUT
8..	539 1080821DUMP BAG INDICATOR	23..	539 9769792NUT $\frac{3}{8}$ -16 NYLOC
9..	539 1081942LATCH	24..	539 1080831SCREW #10-24 x $1\frac{1}{8}$
10..	539 1080881LATCH, HOOD	25..	539 1080811SCREW #10-14 x $\frac{1}{2}$
11..	576 2215021PLATE, SPACER BLK	26..	539 9769523SCREW #10-24 x $\frac{5}{8}$
12..	539 1080851SPACER, SPLIT	27..	539 1095523LOCKWASHER $\frac{3}{16}$
13..	539 1081631DECAL, CATCHER	28..	539 1080844WASHER $\frac{3}{16}$ x $\frac{3}{4}$ 16 GA
14..	539 9908614RHSNB $\frac{5}{16}$ -18 x $1\frac{3}{4}$	NOT SHOWN			
15..	539 9906452RHSNB $\frac{3}{8}$ -16 x 1		539 110290	...1STRIP, FOAM

NOTE: ALL FASTENERS ARE GRADE 5 UNLESS OTHERWISE SPECIFIED.



Free Manuals Download Website

<http://myh66.com>

<http://usermanuals.us>

<http://www.somanuals.com>

<http://www.4manuals.cc>

<http://www.manual-lib.com>

<http://www.404manual.com>

<http://www.luxmanual.com>

<http://aubethermostatmanual.com>

Golf course search by state

<http://golfingnear.com>

Email search by domain

<http://emailbydomain.com>

Auto manuals search

<http://auto.somanuals.com>

TV manuals search

<http://tv.somanuals.com>