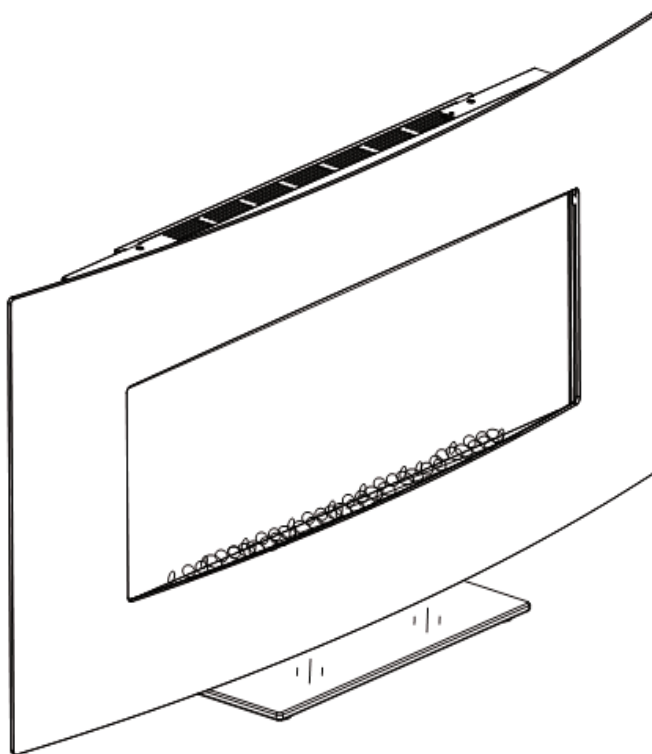




USE AND CARE GUIDE

WESTRIDGE WALL HANGING FIREPLACE



Questions, problems, missing parts? Before returning to the store call
Hampton Bay Customer Service
8 a.m. - 6 p.m., EST, Monday-Friday

1-877-527-0313

HAMPTONBAY.COM

THANK YOU

We appreciate the trust and confidence you have placed in Hampton Bay through the purchase of this electric fireplace. We strive to continually create quality products designed to enhance your home. Visit us online to see our full line of products available for your home improvement needs. Thank you for choosing Hampton Bay!

Table of Contents


| | | | |
|---------------------------------|----------|-----------------------------------|-----------|
| Safety Information | 3 | Wall Mounting Configuration | 7 |
| Warranty | 4 | Stand/Base Configuration | 9 |
| Pre-Assembly | 5 | Operation | 11 |
| Hardware Included | 5 | FCC/ICC Information | 14 |
| Product Specifications..... | 5 | Care & Cleaning | 14 |
| Tools Required | 5 | Troubleshooting | 15 |
| Package Contents..... | 6 | Replacement Parts | 16 |
| Assembly | 7 | | |


Safety Information


Please read and understand this entire manual before attempting to assemble, operate or install the product. If you have any question regarding the product, please call customer service at 1-877-527-0313, 8 a.m.-6 p.m., EST, Monday-Friday.


When using electrical appliances, always follow basic precautions to reduce the risk of fire, electrical shock, and injury to persons including the following:


1. Read all instructions before using this appliance.
2. If possible, always unplug this appliance when not in use.
3. Only a qualified service person should repair this product.
4. Do not use outdoors.
5. Do not cover the cord under the carpeting. Do not cover with throw rugs, runners or the like. Arrange the cord away from traffic areas and where it will not be tripped over.
6. To disconnect this appliance, turn the controls to the off position, and then remove the plug from the outlet.
7. Connect to properly grounded outlets only.
8. This appliance, when installed, must be electrically grounded in accordance with local codes or, in the absence of local codes, with the current CSA C22.1 Canadian Electrical Code. For U.S.A. installations, follow local codes and the National Electrical Code, ANSI/NFPA NO.70.
9. This appliance has hot and arcing or sparking parts inside. Do not use it in areas where gasoline, paint or flammable liquids are used or stored. This fireplace should not be used as a drying rack for clothing. Do not hang Christmas stockings or other decorations on or near this product.
10. There is a thermostat limiter inside the heater. When inner temperature overheating or abnormal heating occurs, the thermostat protective device will cut off the power supply to avoid damage to the fireplace or risk of fire.


 **DANGER:** In order to avoid overheating, do not cover the heater.


 **WARNING:** If the supply cord is damaged, it must be replaced by the manufacturer, its service agent or similarly qualified persons in order to avoid a hazard.


 **WARNING:** Under no circumstances should this fireplace be modified. Parts that must be removed for servicing must be replaced prior to operating this fireplace again.


 **WARNING:** This appliance is hot when in use. To avoid burns, do not touch hot surfaces with bare skin. If provided, use handles when moving this appliance. Keep combustible materials, such as furniture, pillows, bedding, papers, clothes and curtains at least 3 ft. (0.9 m) from the front of this appliance.


 **WARNING:** This appliance is not a toy. Supervise children playing near it.


 **WARNING:** Use extreme caution when operating heater near children and the disabled.


 **WARNING:** This heater is not intended for use in bathrooms, laundry areas and similar indoor locations. Never locate this appliance where it may fall into a bathtub or other water container.


 **WARNING:** Do not insert or allow foreign objects to enter any ventilation or exhaust opening as this may cause an electric shock or fire, or damage the appliance.


 **WARNING:** To prevent a possible fire, do not block air intakes or exhaust in any manner. Do not use on soft surfaces, like a bed, where the opening may become blocked.

 **WARNING:** Use this appliance only as described in the manual. Any other use not recommended by the manufacturer may cause fire, electric shock or injury to persons.


 **WARNING:** This appliance has hot and arcing or sparking parts inside. Do not use it in areas where gasoline, paint or flammable liquids are used or stored. This fireplace should not be used as a drying rack for clothing. Do not hang Christmas stockings or other decorations on or near this product.

 **CAUTION:** Never leave the heater operating unattended. Extreme caution is necessary if unsupervised children or invalids are nearby.

 **CAUTION:** Before assembly, carefully use scissors or a utility knife to cut and unwrap all parts. Make sure you do not discard the hardware.

 **NOTE:** Use care in assembling your new fireplace. Take your time and use the hardware provided and a quality Phillips head screwdriver. Never overtighten bolts.

- Do not sit on any part of the mantel.

 **NOTE:** To avoid injury from unexpected starting or electrical shock, do not plug the power cord into a source of power during unpacking and assembly. The cord must remain unplugged whenever you are adjusting/assembling the fireplace.

If any part is missing or damaged, do not attempt to use or plug in the power cord until the missing or damaged part is correctly replaced. To avoid electric shock, use only identical replacement parts when servicing double-insulated tools.

Warranty

1 Year Limited Warranty: The manufacturer warrants this product to be free from manufacturing and material defects for a period of one year from date of purchase, subject to the following conditions and limitations:

1. Install and operate this Electric Fireplace in accordance with the installation and operating instructions furnished with the product at all times. Any unauthorized repair, alteration, willful abuse, accident, or misuse of the product shall nullify this warranty.
2. This warranty is non-transferable and is made to the original owner, provided that the purchase was made through an authorized supplier of the product.
3. The warranty is limited to the repair or replacement of part(s) found to be defective in material or workmanship, provided that such part(s) have been subjected to normal conditions of use and service, after said defect is confirmed by the manufacturer's inspection.
4. The manufacturer may, at its discretion, fully discharge all obligations with respect to this warranty by refunding the wholesale price of the defective part(s).
5. Any installation, labor, construction, transportation, or other related costs/expenses arising from defective part(s), repair, replacement, or otherwise of same, will not be covered by this warranty, nor shall the manufacturer assume responsibility for same.
6. The owner/user assumes all other risks, if any, including the risk of any direct, indirect or consequential loss or damage arising out of the use, or inability to use the product, except as provided by law.
7. All other warranties – expressed or implied – with respect to the product, its components and accessories, or any obligations/liabilities on the part of the manufacturer are hereby expressly excluded.
8. The manufacturer neither assumes, nor authorizes any third party to assume on its behalf, any other liabilities with respect to the sale of the product.
9. The warranties as outlined within this document do not apply to non accessories used in conjunction with the installation of this product.
10. This warranty gives you specific legal rights, and you may also have other rights which vary from state to state.

This warranty is void if:

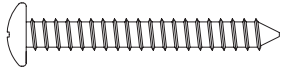
- a. The fireplace is subjected to prolonged periods of dampness or condensation.
- b. There has been unauthorized alteration, willful abuse, accident, or misuse of the product.
- c. You do not have the original receipt of purchase.

IF WARRANTY SERVICE IS NEEDED

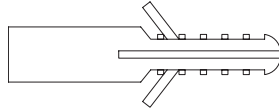
Contact the manufacturer by calling customer service department at 1-877-527-0313, 8 a.m.-6 p.m., EST, Monday-Friday. Make sure you have your warranty, your sales receipt, location of purchase and the model/serial number of your product.

Pre-Assembly

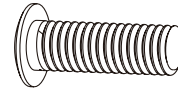
HARDWARE INCLUDED



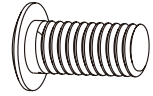
AA



BB



CC



DD

| Part | Description | Quantity |
|------|--------------|----------|
| AA | Screw | 4 |
| BB | Wall Anchors | 4 |
| CC | Screw | 4 |
| DD | Screw | 1 |



NOTE: Hardware not shown to actual size.

PRODUCT SPECIFICATIONS

| | |
|----------------|---------------|
| VOLTAGE | 120VAC, 60 Hz |
| AMPS | 12.5 Amps |
| WATTS | 1500 Watts |

TOOLS REQUIRED

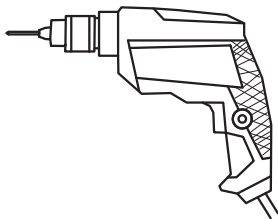
Before beginning assembly of product, make sure all parts are present. Compare parts with package contents list and diagram above. If any part is missing or damaged, do not attempt to assemble, install or operate the product. Contact customer service for replacement parts.

Estimated Assembly Time: 60 Minutes

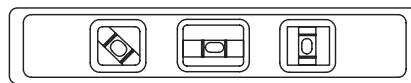
Tools Required for Assembly (not included)



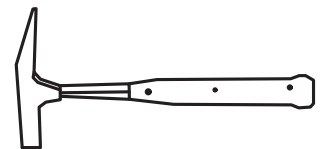
Phillips Screwdriver



Drill



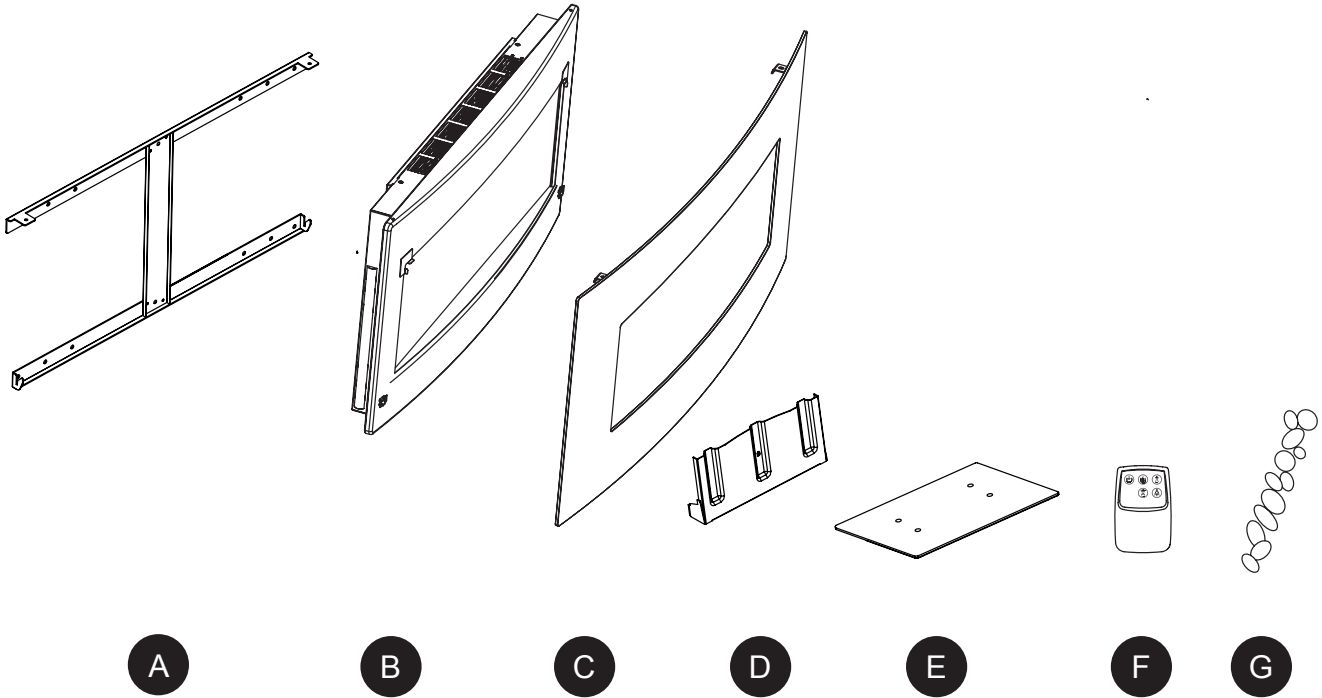
Level



Hammer

Pre-Assembly (continued)

PACKAGE CONTENTS



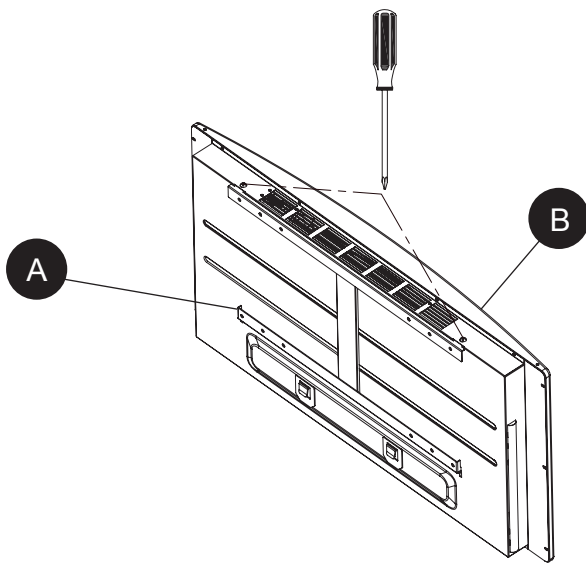
| Part | Description | Quantity |
|------|------------------|----------|
| A | Mounting Bracket | 1 |
| B | Fireplace | 1 |
| C | Front Glass | 1 |
| D | Base Bracket | 1 |
| E | Base | 1 |
| F | Remote Control | 1 |
| G | Decorative Rocks | 1 |

Assembly

WALL MOUNTING CONFIGURATION

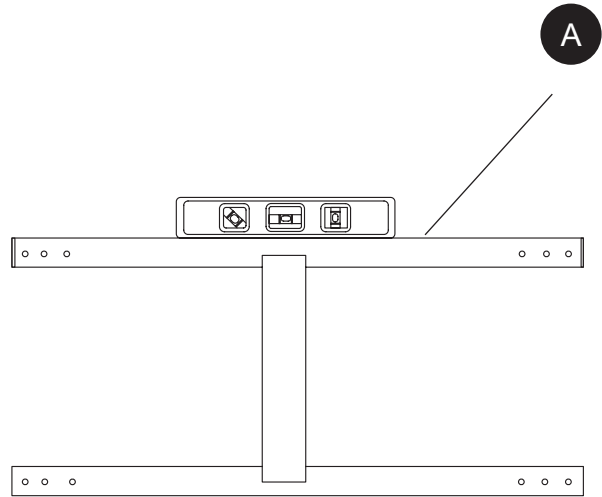
1 Removing the mounting bracket

- Remove mounting bracket (A) from back of Fireplace (B) by removing the two screws at the top back of the unit.



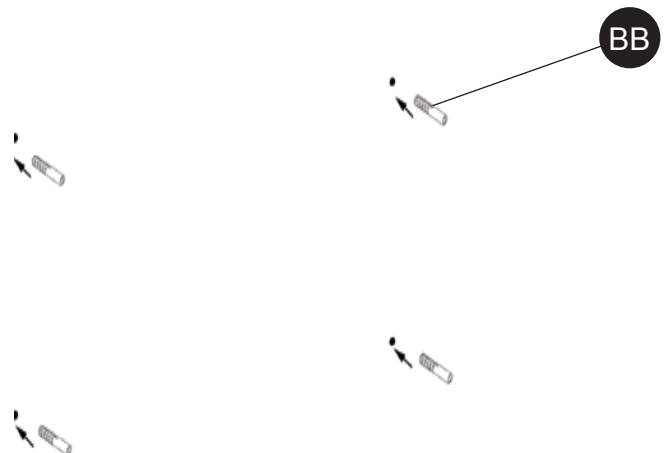
2 Choosing the wall location

- Choose a wall location to attach the mounting bracket (A). Position the mounting bracket (A) in the desired location. Use a level to align the bracket and mark the four holes with a pencil.



3 Preparing the wall

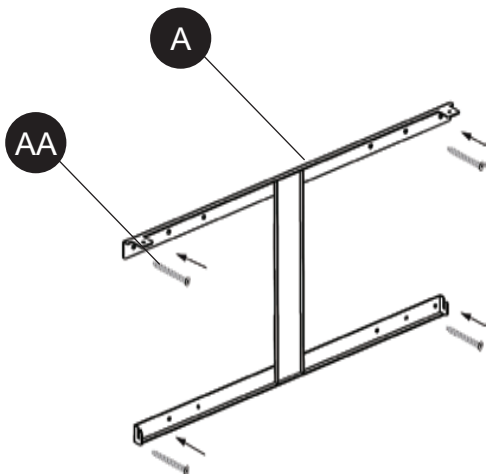
- Drill 4 holes 3/8" in / 0.7cm in the wall. Insert the wall anchors (BB) into the holes using a hammer.



Assembly (continued)

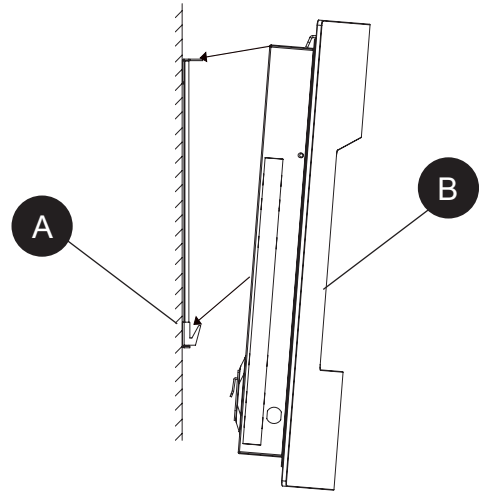
4 Attaching the bracket to the wall

- Attach the mounting bracket (A) to the wall fastening the 4 screws (AA) into the wall anchors.



5 Hanging the fireplace

- Hang the fireplace (B) on the hooks at bottom of mounting bracket (A) and push the fireplace (B) into mounting bracket (A). Re-fasten the two screws removed in Step 1.



6 Hanging the front glass

- Remove the two retaining screws on top of the fireplace (B). Hang the front glass (C) on the fireplace and gently push on the lower part of the frame until it snaps into place. Secure the top frame hooks with the two retaining screws (Fig. 6.1 & 6.2).

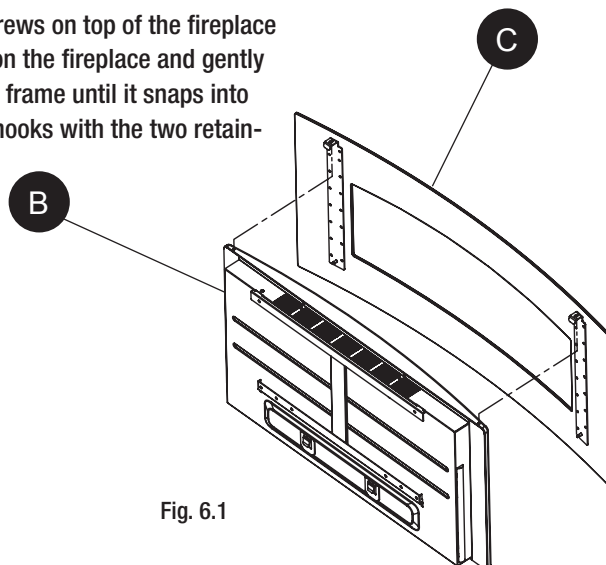
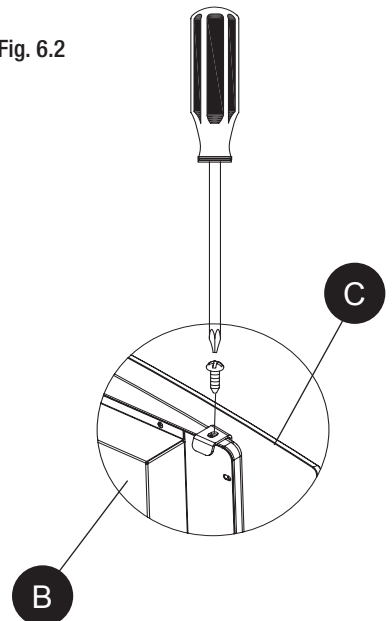


Fig. 6.1

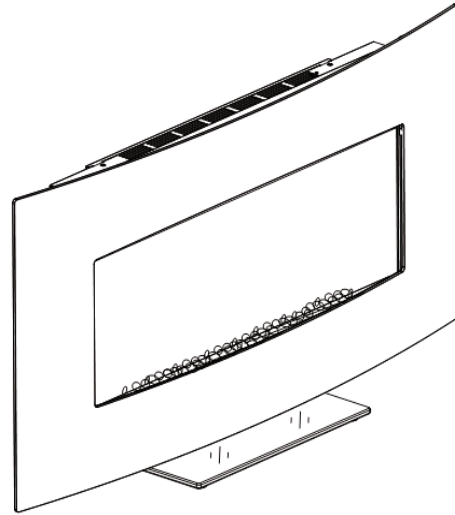
Fig. 6.2



Assembly (continued)

7 Installing the rock placement

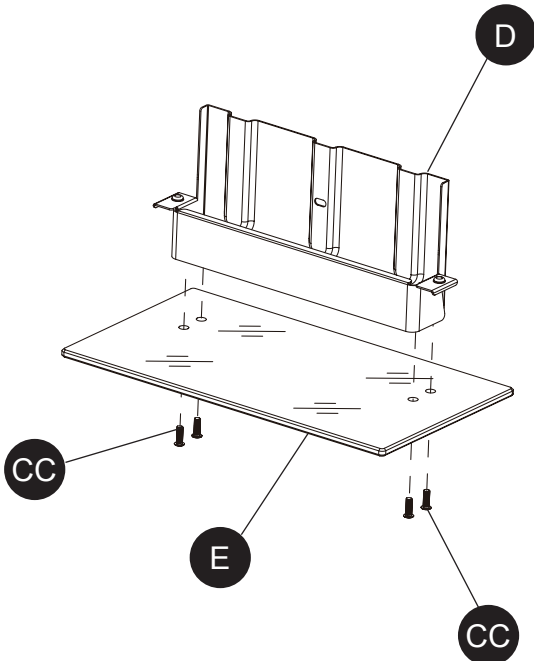
- Place the decorative rocks as desired.



STAND/BASE CONFIGURATION

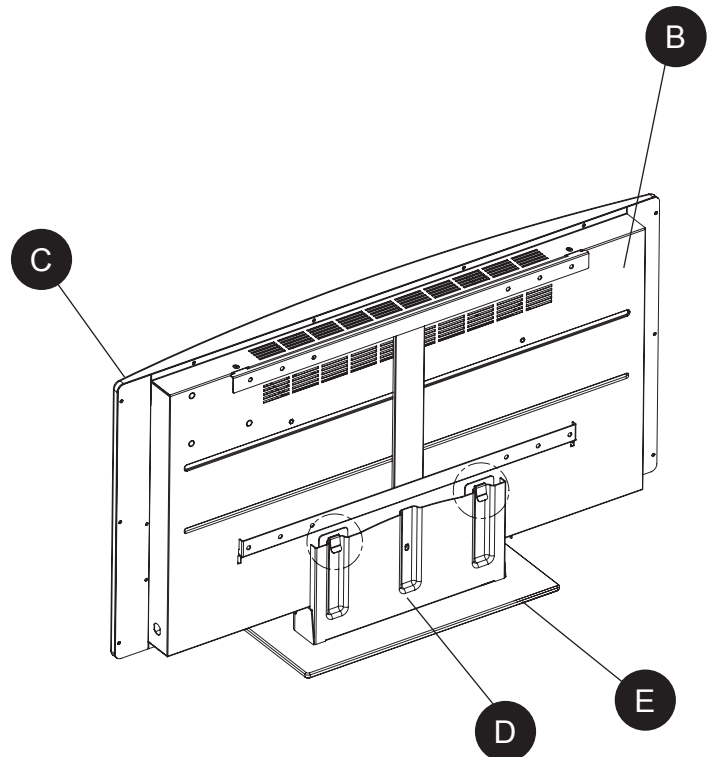
1 Assembling the base

- Use 4 screws (CC) to fasten the base bracket (D) to the base (E).



2 Installing the stand/base

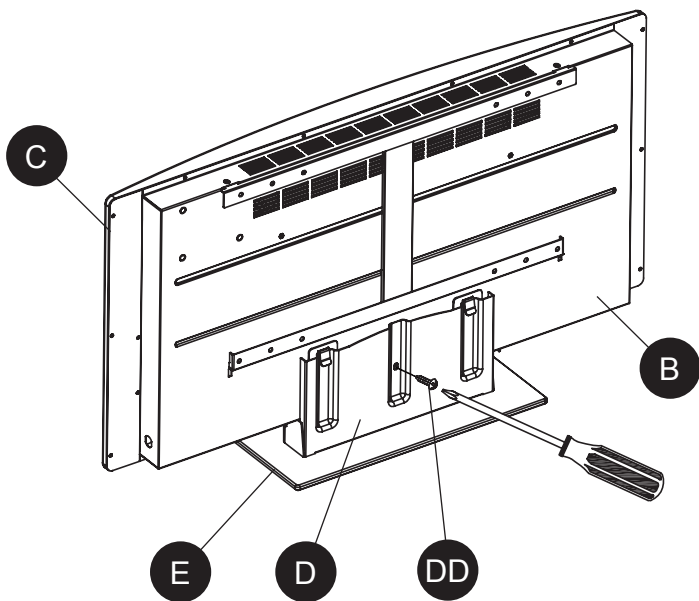
- Mount the fireplace to the base bracket (D) by hooking the clips into position.



Assembly (continued)

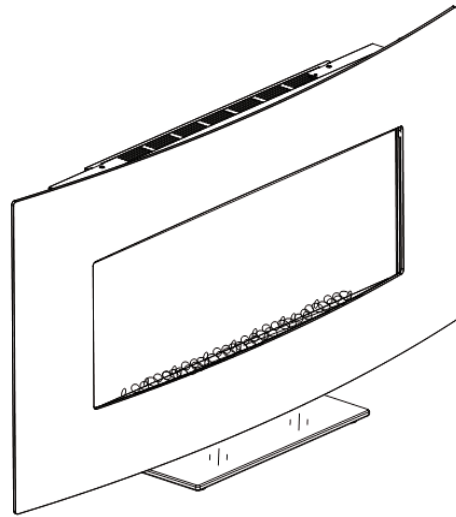
3 Securing the fireplace to the base

- Fasten the base bracket (D) to the fireplace with the provided screw (DD).



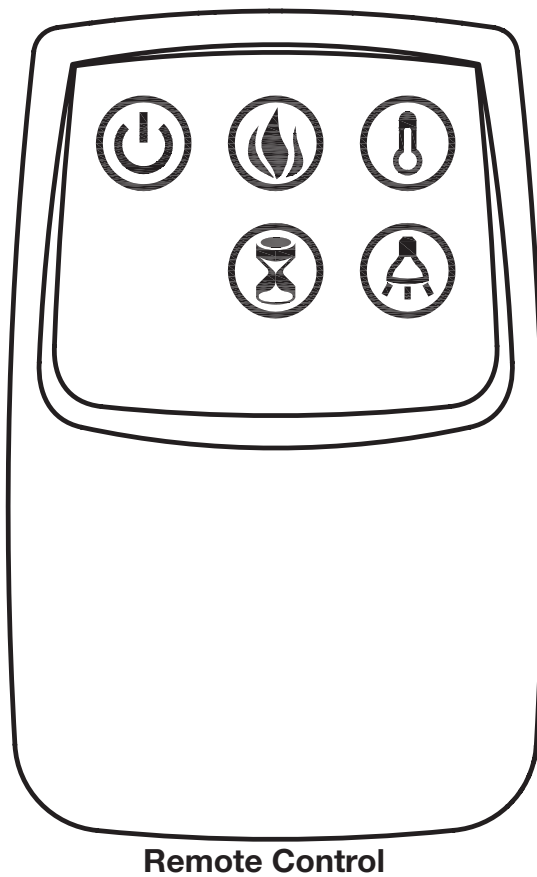
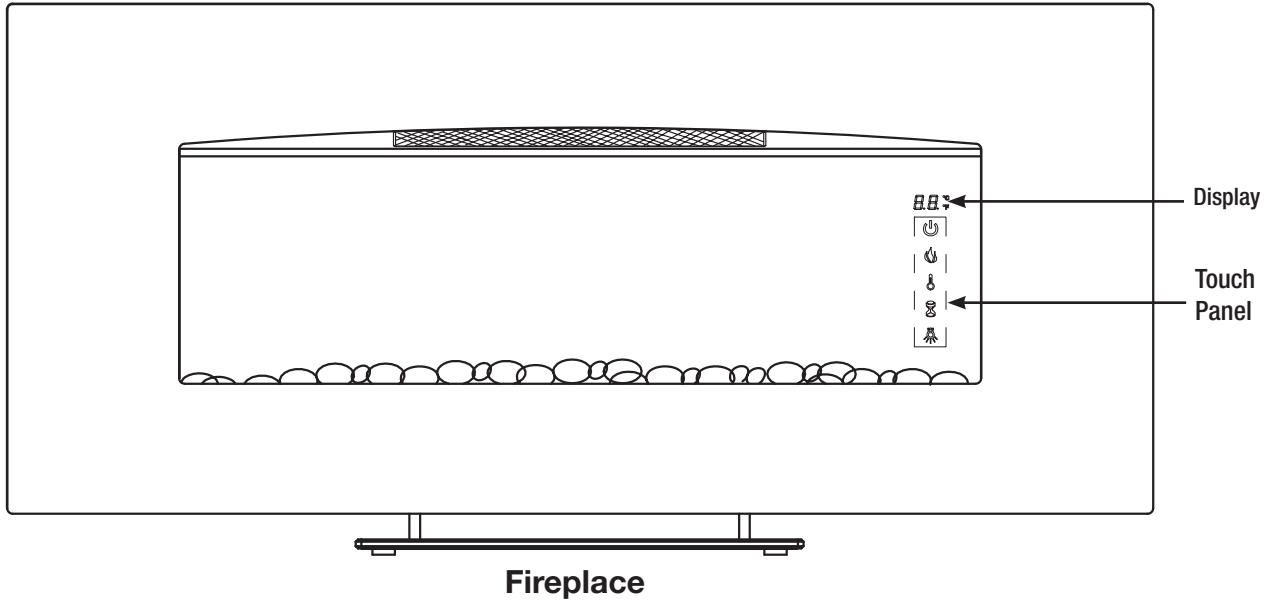
4 Installing the rock placement


- Place the decorative rocks as desired.



NOTE: Cold climate installation recommendation: When installing this unit against a non-insulated exterior wall or chase the outer walls must be insulated to conform to applicable insulation codes.

Operation

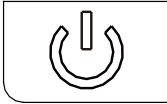


 **NOTE:** The fireplace can be operated by either the remote control or the control panel.

Operation (continued)

1 Powering the fireplace

- Push the Power button to supply power to all functions of the fireplace and put the insert in standby mode.
- Push the Power button again to turn off all functions.



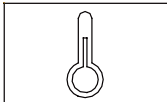
NOTE: All previous settings are held in memory, so the next time you power up the fireplace, the unit will turn on with the same settings.



NOTE: Holding the Power button on the control panel for 10 seconds will disable the heater function.

3 Adjusting the heater

- Press the Heater button to set the thermostat. Your fireplace consists of a fan-forced wire-element-type heater. The thermostat setting range is 62°F - 82°F or 17°C - 27°C or always ON. This button on the remote control only turns ON and OFF the heater function.



NOTE: To change between °F and °C press and hold the Heater button on the control panel for 10 seconds.

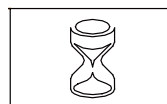
2 Adjusting the flame

- Press the Flame button to increase and decrease the flame intensity. There are 6 brightness levels you can cycle through as well as the OFF setting.



4 Setting the timer

- Press the Timer button to cycle through the 10 timer settings (30 minutes, 1 Hour, 2H, 3H, 4H, 5H, 6H, 7H, 8H and 9H) and the OFF setting.



Operation (continued)

5 Replacing the remote control battery

- When the remote control stops operating or its range seems reduced, it is time to replace the battery with new ones.
- On the back end of the remote, press and slide the battery door open and remove the old battery.
- Insert 2 AAA batteries, checking that the + and - sides of the battery match inside the battery compartment.
- Replace the battery compartment door.



NOTE: Do not mix old and new batteries. Do not mix alkaline, standard (Carbon Zinc), or rechargeable (NiCad, NiMh, etc) batteries.



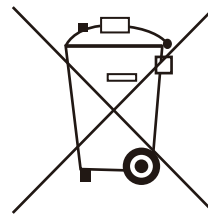
NOTE: Please operate the remote control at a slow measured pace. Press the remote control buttons with an even motion and gentle pressure. Repeatedly pressing buttons in rapid succession may cause the transmitter to malfunction.



NOTE: Batteries should be removed if the product is to be left unused for a long time.

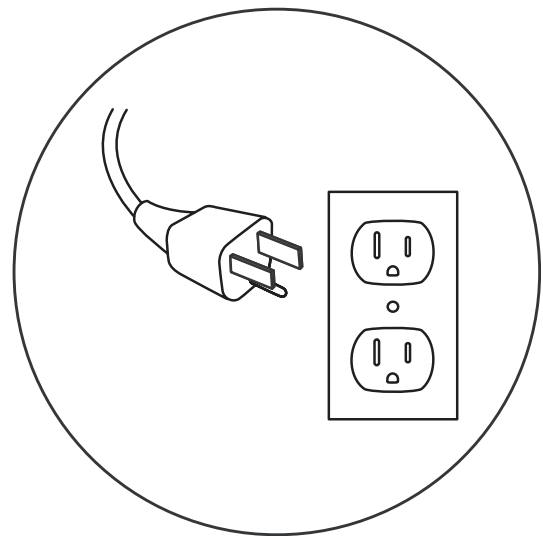
6 Disposing of used batteries

- The battery may contain hazardous substances that could endanger the environment and human health.
- This symbol marked on the battery and/or packaging indicates that used battery shall not be treated as municipal waste. Instead it shall be left at the appropriate collection point for recycling.
- By correctly disposing used batteries, you prevent potential negative consequences for the environment and human health. Recycling used materials also conserves natural resources.
- For more information about collecting and recycling used batteries, please contact your local municipality, your waste disposal service or the point of sale where you purchased this product.



7 Power cord information

- This heater is for use on 120 volts. The cord has a plug as shown in the figure.
- Connect to properly grounded outlets only.
- Do not use a 2 prong adapter. Never use with an extension cord or relocatable power tap (outlet/power strip).



FCC/ICC Information

This equipment has been tested and found to comply with the limits for Class B digital device, pursuant to part 15 of the FCC Rules. These limits are designed to provide reasonable protection against harmful interference in a residential installation. This equipment generates, uses, and can radiate radio frequency energy and, if not installed and used in accordance with the instructions, may cause harmful interference to radio or television reception, which can be determined by turning the equipment off and on. The user is encouraged to try to correct the interference by one or more of the following measures:

- Reorient or relocate the receiving antenna.
- Increase the separation between the equipment and the receiver.
- Connect the equipment into an outlet on a circuit different from that to which the receiver is connected.
- Consult the dealer or an experienced radio/TV technician for help.

This device complies with Part 15 of the FCC Rules. Operation is subject to the following two conditions:

(1) This device may not cause harmful interference, and

(2) this device must accept any interference received, including interference that may cause undesired operation.

Modifications not approved by the party responsible for compliance could void user's authority to operate the equipment.

This Class B digital apparatus complies with Canadian ICES-003.

Care and Cleaning

- Dust your fireplace regularly with a soft non-lint-producing cloth or household dusting product.
- Clean your fireplace with a gentle non-abrasive household cleaner. Dry your fireplace immediately with a soft cloth or towel.
- The motors used on the fan and the flame generator assembly are pre-lubricated for extended bearing life and require no further lubrication. However, we recommend periodic cleaning/vacuuuming of the fan/heater.
- Make sure the unit is turned OFF and unplugged whenever you are cleaning the heater or fireplace.



WARNING: Make sure the power is turned off before proceeding with repairs. Any electrical repairs or rewiring of this unit should be carried out by a licensed electrician in accordance with national and local codes. If repairing or replacing any electrical component or wiring, the original wire routing, color coding and securing locations must be followed. During any service of this appliance, the power to the unit must be turned off. First turn the main power switch to the OFF position. Then remove the electrical plug from the wall outlet.



WARNING: Electrical outlet wiring must comply with local building codes and other applicable regulations to reduce the risk of fire, electrical shock and injury to persons.



WARNING: Do not use this fireplace if any part of it has been under water. Immediately call a qualified service technician to inspect the fireplace and replace any part of the electrical system.



WARNING: Disconnect power before attempting any maintenance or cleaning to reduce the risk of fire, electrical shock or personal injury.

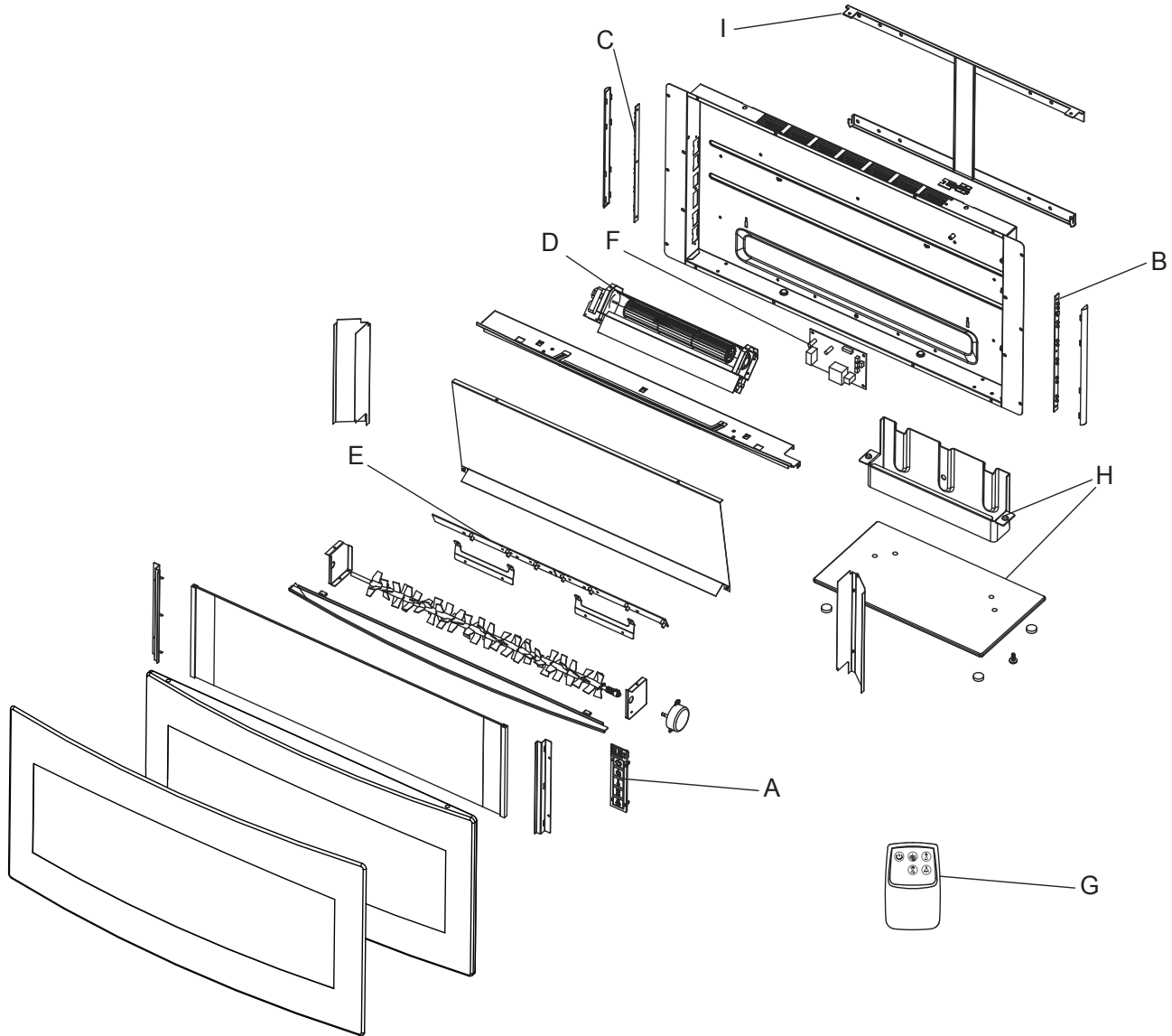
Troubleshooting

| PROBLEM | POSSIBLE CAUSE | CORRECTIVE ACTION |
|---|--|---|
| There is no power. | There is no power to the unit. | Check that the unit is plugged into a standard 120V outlet. Press the Power button several times, make sure power is set to the "ON" position. |
| The power cord gets warm. | This is normal operation. | Check your heater cord and plug connections. Faulty wall outlet connections or loose plugs can cause the outlet or plug to overheat. Be sure the plug fits tight in the outlet. Heaters draw more current than small appliances, overheating of the outlet may occur even if it has not occurred with the use of other appliances. During use check frequently to determine if your plug outlet or faceplate is HOT! If so, discontinue use of the heater and have a qualified electrician check and/or replace the faulty outlet(s). |
| The heater does not blow warm air. | The thermostat setting is preventing the heater from turning on. | Adjust the temperature settings to ensure that the thermostat is set higher than the current room temperature. |
| The heater does not work, but Power and Heater settings are "ON" and the thermostat is set. | Manual reset overheat protection triggered. | Turn the Power to "OFF" and unplug the unit from the wall outlet for 5 minutes. After 5 minutes plug the unit back into the wall outlet, and operate as normal. If the problem persists contact customer service. |
| The flame effect works but the heater function does not and the flame effect flashes when the Heater button is pressed. | The heater is disabled. | With the power on press and hold the Power button on the control panel for 10 seconds. Once re-enabled the flame effect lights will flash multiple times. |
| The remote control is not working. | There are no batteries or the signal is poor. | Change the remote batteries. Operate the remote control at a slow measured pace. Press the remote control buttons with an even motion and gentle pressure. Repeatedly pressing buttons in rapid succession may cause the transmitter to malfunction. |

Replacement Parts

For replacement parts, call our customer service department at 1-877-527-0313, 8 a.m.-6 p.m., EST, Monday-Friday.

| Part | Part Name | Part Number | Quantity |
|------|----------------------------|----------------|----------|
| A | Control Panel 5 Buttons | Y12-S84-P32 | 1 |
| B | Right Backlight PCBA | Y12-S84-P49R | 1 |
| C | Left Backlight PCBA | Y12-S84-P49L | 1 |
| D | Blower/Heater Assembly | Y12-S84-P01 | 1 |
| E | Flame PCBA | Y12-S84-P40 | 1 |
| F | Remote Control - 5 Buttons | P91 | 1 |
| G | Main Circuit Board | Y12-S84-P15 | 1 |
| H | Base and Stand | Y12-S84-B&S | 1 |
| I | Mounting Bracket | Y12-S84-MT BRT | 1 |





Questions, problems, missing parts? Before returning to the store call
Hampton Bay Customer Service
8 a.m. - 6 p.m., EST, Monday-Friday

1-877-527-0313

HAMPTONBAY.COM

RETAIN THIS MANUAL FOR FUTURE USE.

Free Manuals Download Website

<http://myh66.com>

<http://usermanuals.us>

<http://www.somanuals.com>

<http://www.4manuals.cc>

<http://www.manual-lib.com>

<http://www.404manual.com>

<http://www.luxmanual.com>

<http://aubethermostatmanual.com>

Golf course search by state

<http://golfingnear.com>

Email search by domain

<http://emailbydomain.com>

Auto manuals search

<http://auto.somanuals.com>

TV manuals search

<http://tv.somanuals.com>