



FAZE700
CODE: 15-1739

FAZE MACHINE 700W

MACHINE A BROUILLARD 700W

DUNSTNEBELMASCHINE / FAZER 700W



GB - User Manual - p. 2

F - Manuel d'Utilisation - p. 10

D - Bedienungsanleitung - S. 19



Assembled in PRC
Designed by LOTRONIC S.A.
Av. Z. Gramme 9
B - 1480 Saintes



USER MANUAL

Please read this manual carefully before operating this product.



EXPLANATION OF SIGNS



The triangle containing a lightning symbol is used to indicate whenever your health is at risk (due to electrocution, for example).



An exclamation mark in a triangle indicates particular risks in handling or operating the appliance.

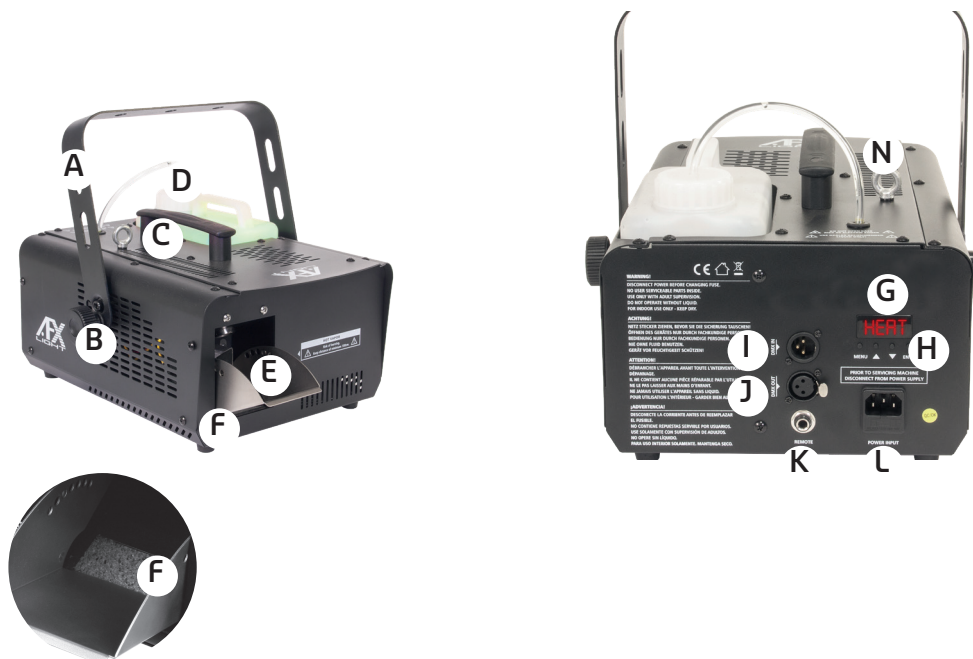
SAFETY RECOMMENDATIONS

- Thank you for selecting our DJ DMX FAZE MACHINE! Please read the manual thoroughly before operation, follow the instructions for a smooth handling and to achieve the most satisfactory faze effect. It will also assist unit to further prolong life time as a whole.
- Like all electronic products, FAZE700 must be used with safety precautions in mind.
- Fill enough fog fluid before plugging in, empty fluid tank when not in use or moving.
- Use only appropriate, grounded electric power supply for your unit. See your product specification label for appropriate power supply.
- This appliance must be earthed.
- Disconnect from electric mains power supply when not in use, when filling the fluid tank, or when changing a fuse.
- Keep unit dry. If moisture or liquids enter the faze machine case, immediately disconnect power supply. Contact a service technician to determine safety for use.
- Keep machine in flat position, never put it in tilted place.
- Before moving the machine, always drain fog fluid and tighten the tank cap securely to avoid spilling.
- Without user-serviceable parts in the package, please contact your local agent or qualified technician for servicing.
- Without changeable structure by non-qualified user, please do not open the cover or have any change at will, otherwise, it may cause accident!
- Faze machine is for adult use. Keep out of reach of children.
- Never leave the unit running unattended.
- Faze machine nozzle gets hot over 200 degrees (centigrade) during use. Don't touch! Maintain a safety distance of more than 100cm.
- Never aim the nozzle directly at people.
- Keep case closed while operating. Put the machine in drafty place.
- Do not insert objects into air vents. Allow 100CM space or above around the machine for proper ventilation.
- Keep faze machine away from flames and flammable items.
- Never aim the nozzle at open flames or sparks.
- Use only high quality water-based faze fluid.
- Never put flammable substances into the tank.
- Machine must cool down before cleaning, servicing or storing.
- Better use our high quality water-based fog fluid, random use with other faze fluid may jam the pipe, or even erode the components inside.
- Keep sufficient fluid in tank. Operating the unit without sufficient fluid, the pump will slowdown the power.
- If any abnormal running occurs, stop it immediately, empty the fluid, and bring the done up unit

(recommend original box) to your agent or dealer for servicing. Make sure all fluid is empty from the tank before moving or shipping.

- Never drink fog fluid. If ingested, call a doctor immediately. If fluid contacts eyes or skin, rinse skin thoroughly with water.
- Never remove warning or informative labels from the unit.

FIGURE 1: DJ DMX FAZE FUNCTIONS



- | | | |
|-----------------------------|-------------------------------------|----------------------------|
| A. Hanging bracket | B. Knob of bracket | C. Handle |
| D. Tank | E. Smoke vent | F. Sponge |
| G. LED display | H. 4 function buttons | I. DMX input via 3-pin XLR |
| J. DMX output via 3-pin XLR | K. Remote control socket connection | L. Electric power input |
| M. Cushion | N. Safety loop | |

DESCRIPTION

- Primary heating up takes very short time, only about 75 seconds, shorter than general faze machines.
- Stable and smooth faze output control from 5-100%. In accordance with different wind power, the smoke can be adjusted from minimum to 100%. Suitable for operation in any locations.
- 5-100% fan speed adjustment. Quiet and smooth fan let the faze disperse unknowingly. 100% high fan speed lets the smoke be thin and even and expand quicker throughout the premises.
- DMX on board, 2 DMX modes work with any additional DMX controller.
- Built-in multi-function operation control. Built-In timer control, manual fogging control and continuous fogging control.
- FAZE700 is equipped with adjustable smoke vent.
- Heavy-duty. Able to keep working long time.
- Self-cleaning function: The machine design of machine stops working after a delay of 30 seconds, automatically clear the tubing of the remaining liquid.
- Expedite liquid supply: Use the manual fogging to expedite liquid supply and save time.
- Clear LED display and intelligent software control

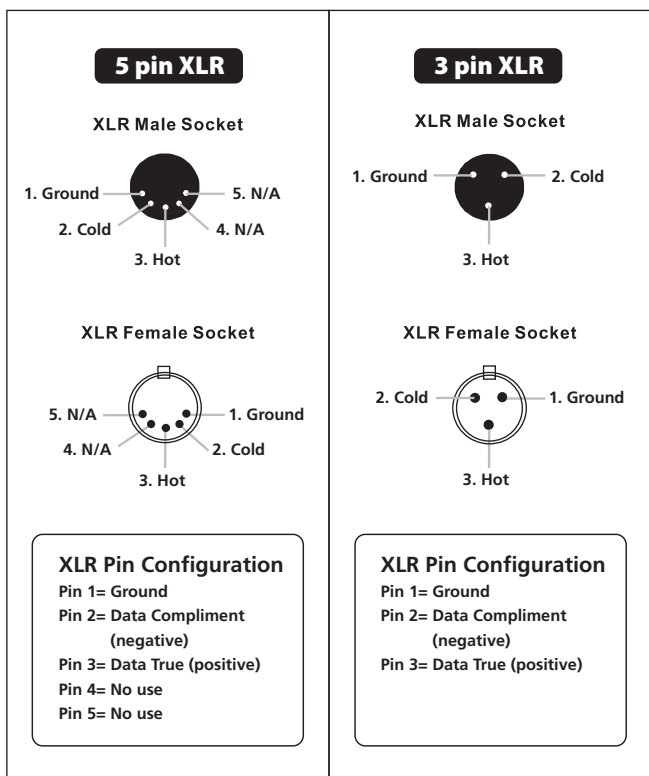
SET UP

- Open the shipping carton and carefully remove the unit from the shipping carton;
- Be sure to remove packing material from around the faze machine, especially near the nozzle;
- Set the faze machine on a dry, flat surface;

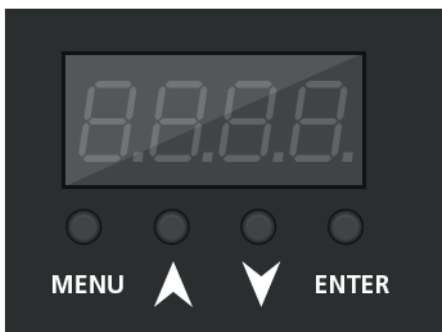
- Place the feeder tube with filter deep inside the full fluid tank (Figure 1-D). Use definitely water based liquid of good quality;
- Plug mains power cord from the faze machine into appropriate power supply socket. Wait about 75 seconds for heating element to heat up;
- Use LCD display for operating control, or connect DMX controller for setting; or firmly attach the remote control mechanism to socket (Figure 1-K) on the rear of the unit.
- Refer to your controller manual for operation details (Appendix A).

DMX CONNECTOR PIN ASSIGNMENT

The machine provides a 3- or 5-pin XLR connector for DMX connection. The diagram below indicates pin assignment information.



FUNCTIONS OF THE BUTTONS



MENU: Function switching button; then have the numerical value changed by using the UP and DOWN buttons.

A.xxx: Setting of DMX address. Range of address value: address=001~512. Press "UP" or "Down" 1.5 seconds can change value continuously and fast, press UP/DOWN at the same time to set the value back to 1.

P.xxx: Setting output of timing fogging and continuous Fogging (Puff Volume=5~100%).

F.xxx: Setting fan speed of timing fogging and Continuous Fogging (Fan=5~100%).

t.off/t. on: Setting Timer ON/OF, switching by UP and DOWN buttons

d.xxx: Setting duration of timing fogging(Duration=3~250s). i.xxx: Setting interval of timing fogging(Interval=5~250s).

UP: Button for increasing numerical value

DOWN: Button for decreasing numerical value

ENTER: Starting button of fogging, release to stop.

Please note:

- Self-cleaning function: The machine design of machine stops working after a delay of 30 seconds, automatically clear the tubing of the remaining liquid.
- Set values are automatically saved.

Important remarks:

To reduce the possibility of that the wind mouth gets humid, the software will detect the wind value and the fog value, and do proper adjustment. Under display control mode (timing fogging, continuous fogging) or DMX control mode: when fog value is adjusted to 100%, the software will adjust wind value (even it is set at 5%) to 30% automatically; when wind value is adjusted to 5%, the software will reduce fog value to 50% automatically. This will prevent the smoke vent from getting humid because of too small wind but too much fog. *Fog value = Puff Volume, wind value = Fan

OPERATION

- Plug mains power cord from the faze machine into an appropriate mains outlet.

- **8.8.8.8.** Primary power on
- **□ X.X** 1 second after, the current software version is displayed
- **HEAT** 2 seconds later, the unit switches into working status and is heating up.
- Wait about 75 seconds for the heating element to heat up.
- **idLE** When heating is completed, follow the different operating modes.

MANUAL OPERATION

- **idLE** When heating is completed, this message is displayed to show standby status.
- In this status, press ENTER to start fogging.
- In Fogging status, adjust puff volume and fan
- **P.xxx** Press UP or DOWN to adjust the puff volume (5-100%)
- Press MENU to switch into Fan adjustment.
- **F.xxx** Press UP or DOWN to adjust the fan (5-100%)
- In fogging status, press ENTER to stop fogging
- **cln_.** Please note that the machine will stop automatically after a delay of 30 seconds to clear the tubing of remaining liquid.
- **idLE** After cleaning, it goes back into standby status.

TIME-CONTROLLED FOGGING OPERATION

- Press MENU to switch the built-in timer ON/OFF..
- **t.off** or **t.on** Press UP or DOWN to switch the time ON or OFF
- When the built-in timer is set to ON, press MENU to display duration and interval

- **d.xxx** Press UP or DOWN to adjust the time value of duration (3s - 250S)
- **i.xxx** Press UP or DOWN to adjust the time value of the Interval (5s - 250s)
- Press ENTER to start timing fogging
- Press again ENTER to stop time-controlled fogging.
- **cLn_.** Please note that the machine will stop automatically after a delay of 30 seconds to clear the tubing of remaining liquid.
- **idLE** After cleaning, it goes back into standby status.

OTHER OPERATION TIPS

- Under **idLE** or **cLn_.** press MENU to check and set numbers:
- **t.oFF** or **t.on**: built-in timer on/off
- **d.xxx** Built-in timer, single fogging duration 3s-250s
- **i.xxx** Built-in timer, interval fogging time 5x-250s
- **A.xxx** DMX address setting 1-512 (press UP and DOWN to set)

REMOTE CONTROL OPERATION

For best result, use VT-1 puff volume adjustable controller.

1. Firmly attach the remote control to socket (Figure1-K) on the back of the unit
 2. P.xxx: Displays the previous picture, fogging controlled by display stops working, puff volume controlled by VT-1;
 3. Refer to your controller manual for controller operation details (Appendix A);
- VT-1 only controls the puff volume, the Fan is still controlled by the display. Press UP/DOWN on the panel to adjust Fan, displays F.xxx , 2 seconds without operation, back to P.xxx .
- Press MENU to check current Fan value, displays F.xxx , 2 seconds without operation, back to P.xxx.

DMX CONTROLLED OPERATION

- Connect the DMX 512 controller cable to the input socket (Figure 1-I) of the fog machine. Make sure the signal cable polarity is correct. When DMX socket receives effective DMX signals, the machine enters automatically into DMX control mode.
- The unit offers 2 DMX channels. Refer to DMX channel chart in Figure 2 to make related settings
- Interchange puff volume P.xxx / Fan volume F.xxx, every 3 seconds
- A.xxx Press MENU to check current DMX address, press UP/DOWN to set DMX address;
- Displays current puff volume is controlled by DMX;
- After 3 seconds without operation, back to interchange of puff volume / Fan volume
- P.xxx Displays current puff volume, controlled by DMX
- F.xxx Displays current fan volume, controlled by DMX
- If desired, connect another faze machine: Plug one end of another signal cable in to the output socket (Figure 1-J) on the back of the first FAZE700; plug the other end of the signal cable to the input socket (Figure 1-I) on the back of the second FAZE700. Follow the same procedure to link more fog machine, if desired; whole link is daisy chain.
- Down. Refer to DMX channel chart in Figure 2 to make related settings. Now start operating FAZE700 with a DMX console.

PLEASE NOTE

To reduce the possibility that the wind mouth gets humid, the software will detect the wind value and the fog value, and do proper adjustment. Under display control mode (timing fogging, continuous fogging and manual fogging) or DMX control mode :

when fog value is adjusted to 100%, the software will adjust wind value (even it is set at 5%) to 30% automatically; when wind value is adjusted to 5%, the software will reduce fog value to 50% automatically. This will prevent the smoke vent from getting humid because of too small wind but too much fog.

* Fog value = Volume, wind value = Fan

FIGURE 2 DMX CHART

CH1	CH2
Puff volume (P.xxx)	Fan (F.xxx)
5-255 5% - 100%	16-255 6% - 100%
0-4 off	0-15 5%

TROUBLESHOOTING

This troubleshooting guide is meant to help solve simple problems.

If a problem occurs, carry out the steps below in sequence until a solution is found. Once the unit operates properly, do not carry out following steps. If the problem persists, refer servicing to a qualified technician.

Power connected but no smoke is emitted:

1. Check the power supply. Plug the unit into grounded electric power supply socket with proper voltage.
2. Disconnect the machine from electric power supply. Replace fuse with one of the same type.
3. Keep sufficient fluid in tank.
4. Check if pump is working (with fluid flow or not).
5. Check if the heater is heating (touch the panel to see if it is warming).
6. Check your controller if in correct connection.
7. Check your DMX address setting.

Power connected, fog blasts not smoothly:

Should there be any low fog emitted, running noisily or hindered fogging, pull out the plug immediately. Check if there is still enough fluid, if the pipe connected to the tank is clean, if there's air inside the pipe, if the liquid flows, if not, plug-in again; if the problem persists and the cause is unclear, stop running to avoid any damage, shut down to cool it, and bring unit to your local agent or appointed service place for inspection, prohibit any dismantlement by yourself.

OTHER ABNORMAL SITUATIONS

Erro Flashing and showing this status, means heater is too hot or thermo sensor is cut;

noHt Flashing and showing this status, means unable to heat;

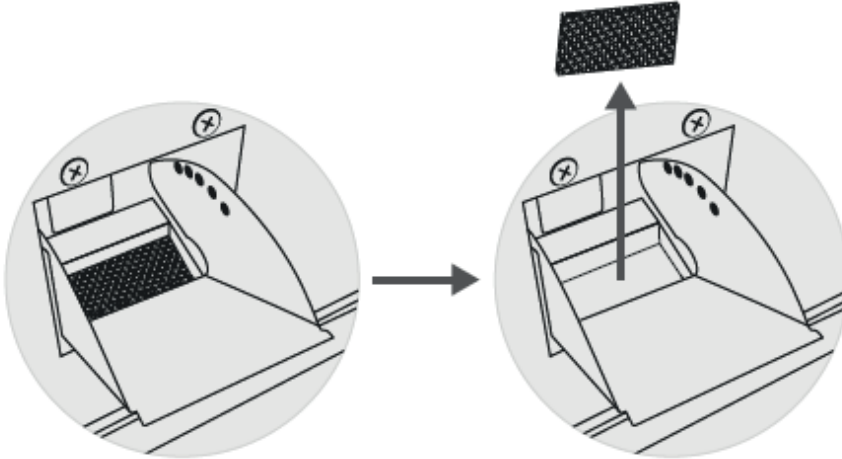
noFL Flashing and showing this status, means fluid runs out or pumping no fluid; at this moment, speed of the fan will reduce to minimum, and pump will stop working.

MAINTENANCE

- Before doing maintenance, please make sure that the power is cut, the power cord is unplugged, and the machine itself has cooled down.
- The maintenance must be done by qualified person.
- The fluid is not allowed to get dirty. Be sure to always clean or replace the caps on the tank.
- Prolonged use, sponge inside the vent may accumulate oil, periodically cleaned out or replaced with a new sponge.
- Periodically check the connections between the oil tube, the pump and the heater to see if there's oil leaking. If positive, lock tight the connections carefully with proper tool.
- PC board should be kept from being dirtied with oil. In case this happened, dismantle carefully

the PCB, and have it brushed clean both sides with dilute alcohol. Leave it dry itself, then install it back. Make sure all wires are well connected.

- Clean the metal cover with dry cloth.



IMPORTANT NOTE

Before you switch off the machine, stop all fogging and wait 30 seconds until the cleaning procedure is finished. Only then switch the unit off. This is to avoid that liquid stays in the pipe and starts fogging when you switch the machine on next time.

APPENDIX A: WIRED CONTROLLER

The DJ DMX Faze Machine is designed with volume adjustable controller. Detail operation as follows;

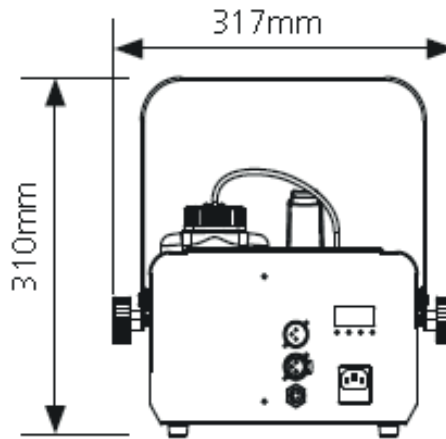
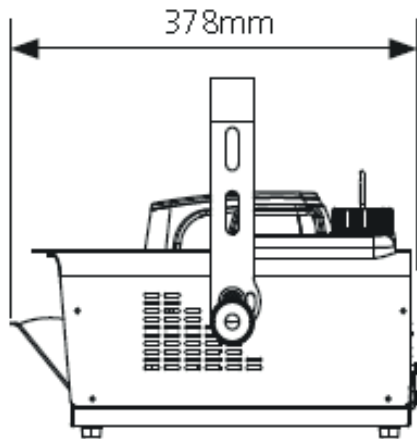
1. Firmly attach the remote control to socket (Figure1-K) on the back of the FAZE700. The red LED (power) on the remote control will light up;
2. The LED display of FAZE700 shows P.xxx , fogging controlled by display stops working, puff volume controlled by the remote control;
3. When FAZE700 reaches its operating temperature, the green LED of the remote control will light up. You can control the fog emission with the rotating knob;
4. Rotate the knob clockwise to increase the smoke volume or counterclockwise to decrease the smoke volume. If you rotate it completely counterclockwise, the smoke will stop. The LED display of FAZE700 will show cLn_ . meaning left liquid cleaning. P. 0 means that cleaning is completed.



- A: 1/4" jack
- B: Adjustment knob
- C: Green LED
- D: Red LED (power)

SPECIFICATIONS

Power supply	220-240V~50/60Hz
Consumption	720W
Fuse	T5A/250V
Heating element.....	700W
Heat-up time	90 sec.
Fluid consumption	10ml/min. at max. output
Faze volume.....	255m ³
Tank	2l
Dimensions.....	378 x 317 x 310mm
Weight.....	6kg



IMPORTANT NOTE: Electric products must not be put into household waste. Please bring them to a recycling centre. Ask your local authorities or your dealer about the way to proceed.

MANUEL D'UTILISATION

Lire attentivement le manuel avant la mise en service.



CONSIGNES DE SÉCURITÉ

Comme tout produit électronique, la FAZE700 doit être manipulée avec les précautions d'usage. Remplissez suffisamment le réservoir avant de la brancher et videz le réservoir après utilisation ou avant un transport.

- Branchez la machine sur une prise de terre qui délivre la tension qui convient pour cette machine.
- Débrancher du secteur après utilisation, avant de remplir le réservoir ou de changer le fusible. Maintenir au sec. Si un liquide ou de l'humidité pénètrent dans le boîtier, débranchez la machine immédiatement du secteur et consultez un technicien.
- Gardez la machine sur une surface plane. Ne jamais incliner la machine.
- Avant tout déplacement de la machine, videz le réservoir et serrez le capuchon du réservoir.
- La machine ne contient aucune pièce remplaçable par l'utilisateur. Contactez votre revendeur pour toute réparation.
- Ne pas ouvrir le boîtier ni modifier la machine d'aucune manière.
- La machine est destinée uniquement à des adultes. Tenir hors de la portée des enfants. Ne jamais laisser tourner la machine sans surveillance.
- L'embout atteint plus de 200°C pendant le fonctionnement. Ne pas toucher! Gardez une distance de sécurité de plus de 1m. Ne jamais diriger l'embout directement sur des personnes.
- Gardez le boîtier fermé pendant l'utilisation. Placez la machine à un endroit bien ventilé. Ne pas insérer d'objets dans les fentes de ventilation. Laissez une distance de sécurité de 1m autour de la machine afin d'assurer une bonne ventilation.
- Tenir loin des flammes et objets inflammables. Ne jamais diriger l'embout sur des flammes ouvertes ou des étincelles. Utilisez uniquement des fluides à base d'eau de haute qualité. Ne jamais mettre des substances inflammables dans le réservoir.
- Attendez le refroidissement de la machine avant de la nettoyer, réparer ou ranger.
- Veillez à ce que le réservoir contienne toujours suffisamment de fluide. Une utilisation sans suffisamment de fluide ralentit la pompe.
- En cas de dysfonctionnement, arrêtez immédiatement la machine, videz le réservoir et amenez l'appareil emballé dans son carton d'origine chez votre revendeur. Vérifiez que le réservoir est vide avant de la transporter.
- Ne jamais avaler du liquide à brouillard. En cas d'ingestion, appelez immédiatement votre médecin. Si le fluide entre en contact avec les yeux ou la peau, rincez abondamment à l'eau claire.
- Lire attentivement le manuel avant utilisation. Suivez les instructions. Ne jamais retirer des étiquettes d'avertissement ou d'information de l'appareil.

FIGURE 1: FONCTIONS



- | | | |
|-----------------------------|--|-----------------------------|
| A. Etrier | B. Molette de serrage | C. Poignée |
| D. Réservoir | E. Sortie de la fumée | F. Eponge |
| G. Afficheur à LED | H. 4 touches de fonction | I. Entrée DMX par 3-pin XLR |
| J. Sortie DMX par 3-pin XLR | K. Connecteur pour la télécommande filaire | M. Pied |
| L. Entrée d'alimentation | | N. Oeillet de sécurité |

DESCRIPTION

- Le préchauffage est très rapide, environ 75 secondes, ce qui est plus court que la durée habituelle d'une machine à brouillard.
- La sortie du brouillard est stable et régulière, avec un ventilateur à vitesse réglable de 5-100%. En fonction du flux d'air, le brouillard est ajustable du minimum à 100%. Convient à toutes sortes de locaux.
- Réglage de la vitesse du ventilateur de 5-100%. Ventilateur silencieux qui disperse le brouillard discrètement. A 100% de la vitesse, le brouillard est fin et régulier et se diffuse rapidement dans toute la pièce.
- La machine peut fonctionner en 1 ou 2 canaux DMX avec un contrôleur supplémentaire.
- Contrôleur de fonctionnement intégré, timer, contrôle manuel et fonctionnement continu
- Sortie de brouillard réglable
- Alimentation accélérée en liquide: En mode manuel, l'alimentation en liquide peut être accélérée
- Très robuste, elle peut fonctionner pendant très longtemps.
- Fonction auto-nettoyante: La machine s'arrête au bout de 30 secondes et retire automatiquement les résidus de liquides dans les conduits.
- Afficheur LCD clair et logiciel intelligent.

INSTALLATION

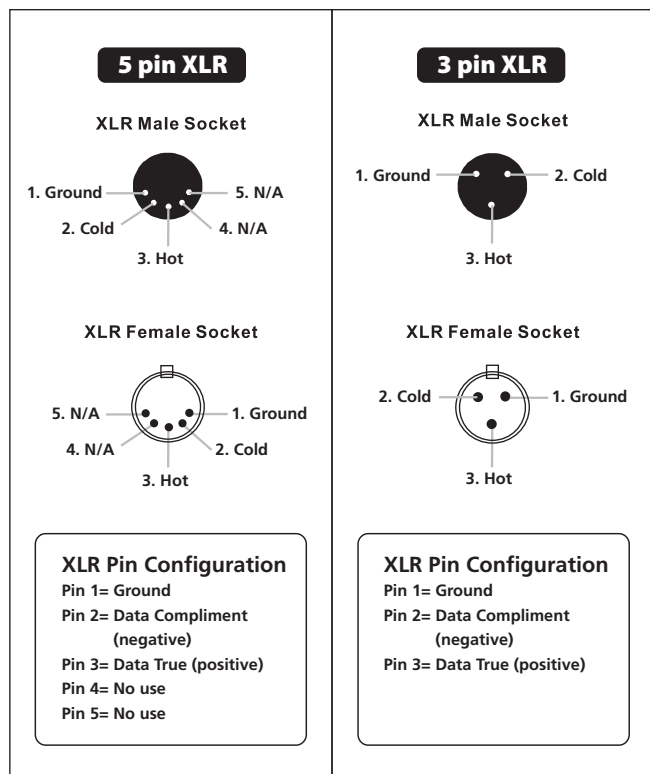
1. Ouvrez le carton et retirez doucement la machine.
2. Retirez soigneusement tous les matériaux d'emballage autour de la machine et notamment à proximité de l'embout.
3. Placez la machine sur une surface plane et sèche.
4. Placez le tube d'alimentation en liquide avec le filtre profondément à l'intérieur du réservoir plein (Figure 1-D). Utilisez un liquide à brouillard de haute qualité à base d'eau.
5. Branchez le cordon secteur de la machine sur une prise appropriée. Attendez env. 75 secondes pour que la résistance chauffe.

6. Contrôlez la machine à l'aide de l'afficheur LCD ou branchez un contrôleur DMX. Ou bien connectez la télécommande filaire sur la fiche (Figure 1-K) à l'arrière de l'appareil.

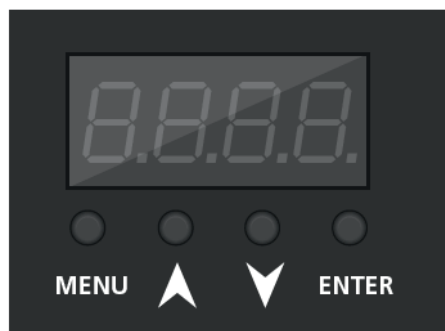
7. Reportez-vous au chapitre sur la télécommande (Appendix A)..

AFFECTATION DES BROCHES DU CONNECTEUR DMX

La machine possède des connecteurs à 3 ou 5 broches pour le fonctionnement en DMX. Le schéma ci-dessous illustre l'affectation des broches..



FONCTIONS DES TOUCHES



MENU: Sélection d'une fonction. Changement de la valeur numérique avec les boutons ▲ et ▼.

A.xxx: Réglage de l'adresse DMX. Plage de la valeur: =001~512. Appuyez sur ▲ et ▼ pendant 1.5 secondes en continu pour faire défiler rapidement les valeurs. Si vous appuyez sur les deux touches en même temps, la valeur revient à 1.

P.xxx: Réglage de la durée d'émission pendant l'émission programmée et l'émission continue (Volume=5~100%)

F.xxx: Réglage de la vitesse du ventilateur pendant l'émission programmée et l'émission continue (Ventilateur =5~100%).

t.off/t. on: Activation/désactivation du timer. Changez avec les touches ▲ et ▼

d.xxx: Réglage de la durée de l'émission programmée (Durée=5~250s).

i.xxx: Réglage de l'intervalle de l'émission programmée (Interval=5~250s et 0)

▲: Bouton pour augmenter la valeur numérique

▼: Bouton pour baisser la valeur numérique

ENTER: Bouton Marche/Arrêt pour l'émission programmée et continue

Note importante:

- Fonction auto-nettoyante: La machine s'arrête automatiquement après 30 secondes et nettoie les tuyaux.
- Les valeurs entrées sont sauvegardées automatiquement.

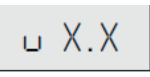
Observations importantes:

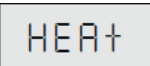
Pour éviter que la sortie de brouillard ne devienne humide, le logiciel détectera la valeur du flux d'air et la valeur du brouillard et effectuera les changements nécessaires. En mode de contrôle par l'afficheur (fonctionnement programmé ou continu) et en mode DMX: Si la valeur du brouillard est réglée à 100%, le logiciel ajustera la valeur du flux d'air automatiquement à 30% (même s'il est réglé à 5%). Si la valeur du flux d'air est ajusté à 5%, le logiciel réduira la valeur du brouillard automatiquement à 50%. Ceci évite que la sortie de brouillard ne devienne humide à cause d'un flux d'air trop faible et d'un excédent de brouillard.

FONCTIONNEMENT

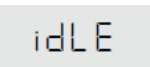
- Branchez la machine sur une prise secteur appropriée.

•  Mise sous tension de la machine

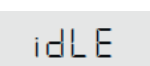
•  1 seconde plus tard, la version du logiciel s'affiche.

•  2 secondes plus tard, la machine commute en mode de travail et commence à chauffer.

- Attendez env. 75 secondes pour que la résistance chauffe.

•  Lorsqu'elle a atteint la bonne température, vous pouvez choisir un mode de fonctionnement.

FONCTIONNEMENT MANUEL

•  Lorsque la machine est à température, l'écran ci-contre s'affiche. La machine est en attente.

- Appuyez sur ENTER pour commencer l'émission de brouillard.

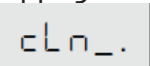
• Pendant l'émission du brouillard, vous pouvez ajuster le volume et le ventilateur


•  Réglez le volume avec les touches ▲ et ▼ (5-100%)

- Appuyez sur MENU pour régler le ventilateur.

•  Réglez le ventilateur avec les touches ▲ et ▼ (5-100%)

- Appuyez sur ENTER pour arrêter la génération de brouillard.

•  Notez que la machine s'arrêtera automatiquement après 30 secondes pour nettoyer les conduits des résidus de liquide.

•  Après le nettoyage, elle commute en attente.

FONCTIONNEMENT PROGRAMME

- Appuyez sur MENU pour activer ou désactiver le programmeur intégré.

- `t.off` ou `t.on` Appuyez sur les touches ▲ et ▼ pour activer/désactiver le programmateur
- Lorsque le programmateur est activé, appuyez sur MENU pour afficher la durée et l'intervalle.
`d.xxx` Appuyez sur les touches ▲ et ▼ pour ajuster la valeur temps de la durée (3s - 250s)
- `i.xxx` Appuyez sur les touches ▲ et ▼ pour ajuster la valeur temps de l'Interval (5s - 250s)
- Appuyez sur ENTER pour commencer le fonctionnement programmé
- Appuyez à nouveau sur ENTER pour arrêter le fonctionne programmé.
- `cLn_.` Notez que la machine s'arrêtera automatiquement après 30 secondes pour nettoyer les conduits des résidus de liquide.
- `idLE` Après le nettoyage, elle commute en attente.

AUTRES CONSEILS SUR LE FONCTIONNEMENT

- Lorsque `idLE` ou `cLn_.` sont affichés, appuyez sur MENU pour vérifier et régler les valeurs:
- `t.off` ou `t.on`: Activation/désactivation du programmateur intégré
- `d.xxx` Programmateur intégré: durée de l'émission unique 3s-250s
- `i.xxx` Programmateur intégré: Durée de l'intervalle 5s-250s
- `A.xxx` Réglage de l'adresse DMX 1-512 (Appuyez sur les touches ▲ et ▼ pour ajuster la valeur)

FONCTIONNEMENT DE LA TELECOMMANDE

1. Branchez fermement la télécommande sur la fiche (Figure1-K) au dos de l'appareil.
 2. P.xxx: Lorsque cet écran s'affiche, l'émission de brouillard est contrôlé par la télécommande et non plus par l'afficheur.
 3. Reportez-vous au chapitre sur la télécommande (Appendix A) pour plus de détails;
- La télécommande filaire ne contrôle que le volume de brouillard. Le ventilateur est toujours commandé par l'afficheur. Appuyez sur les touches ▲ et ▼ pour ajuster le ventilateur. F.xxx s'affiche. La machine s'arrête pendant 2 secondes et revient à l'écran P.xxx .
- Appuyez sur MENU pour vérifier la valeur actuelle du ventilateur. F.xxx s'affiche. La machine s'arrête pendant 2 secondes et revient à l'écran P.xxx .

FONCTIONNEMENT EN DMX

- Branchez le cordon du contrôleur DMX 512 sur la fiche d'entrée (Figure 1-I) de la machine à brouillard. Assurez-vous que la polarité est correcte. Lorsque la fiche DMX reçoit des signaux DMX, la machine commute automatiquement en mode DMX.
- La machine possède 2 canaux DMX. Reportez-vous au tableau des canaux pour effectuer les réglages.
- Commutation entre le volume de fumée P.xxx /ventilateur F.xxx toutes les 3 secondes
- A.xxx Appuyez sur MENU pour vérifier l'adresse DMX actuelle. Appuyez sur les touches ▲ et ▼ pour ajuster la valeur;
- Après 3 secondes d'inactivité, retour à l'alternance volume de fumée P.xxx /ventilateur F.xxx
- P.xxx Affiche le volume de fumée actuel, contrôlé par DMX
- F.xxx Affiche le débit d'air actuel, contrôlé par DMX
- Vous pouvez brancher une autre machine à brouillard: Branchez une extrémité d'un autre câble signal sur la fiche de sortie (Figure 1-J) au dos de la première FAZE700; branchez l'autre extrémité du câble signal sur la fiche d'entrée (Figure 1-I) au dos de la deuxième FAZE700. Procédez de la même manière pour relier plus de machines.
- ▼. Reportez-vous au tableau des canaux DMX pour effectuer les réglages. Vous pouvez mainte-

nant commander à faire fonctionner la FAZE700 avec votre contrôleur DMX.

ATTENTION

Pour éviter le risque que la sortie de brouillard devienne humide, le logiciel détectera la valeur du flux d'air et la valeur du brouillard et effectuera les ajustements nécessaires. En mode de contrôle par l'afficher (fonctionnement programmé, continu et manuel) ou en mode DMX:

Si la valeur du brouillard est réglé sur 100%, le logiciel réglera la valeur du flux d'air automatiquement sur 30% même s'il a été réglé sur 5%. Si le flux d'air est réglé sur 5%, le logiciel réduira la valeur du volume à 50%. Ceci évite que la sortie devienne humide parce qu'il n'y a pas assez d'air par rapport au volume de brouillard.

* Valeur du brouillard = Volume, valeur du flux d'air = Ventilateur

TABLEAU DES CANAUX DMX - FIGURE 2

CH1	CH2
Volume de brouillard (P.xxx)	Ventilateur (F.xxx)
5-255 5% - 100%	16-255 6% - 100%
0-4 éteint	0-15 5%

DIAGNOSTIC DE DEFAILLANCE

Ce guide permet de résoudre les problèmes les plus courants. Suivez les étapes ci-dessous dans l'ordre jusqu'à ce que vous trouviez la solution. Si la machine fonctionne à nouveau normalement, n'effectuez pas les étapes suivantes. Si le problème persiste, adressez-vous à un technicien qualifié.

Alimenté mais pas de production de brouillard::

1. Vérifiez l'alimentation. Branchez sur une prise avec mise à la terre qui délivre la bonne tension.
2. Débranchez la machine du secteur. Remplacez le fusible par un identique
3. Vérifiez si le réservoir contient suffisamment de liquide
4. Vérifiez si la pompe fonctionne (flux de liquide)
5. Vérifiez si la résistance chauffe (touchez le panneau de commande pour voir s'il chauffe) .
6. Vérifiez si votre contrôleur est correctement branché
7. Vérifiez le réglage DMX..

Alimenté mais production irrégulière:

Si la production est faible, la machine fait du bruit ou le brouillard sort par poussées, débranchez immédiatement la machine. Vérifiez s'il y a suffisamment de liquide dans le réservoir, si le tuyau connecté sur le réservoir est propre, s'il y a de l'air dans le tuyaux, si le liquide circule. Rebranchez la machine. Si le problème persiste ou la cause n'est pas sûre, débranchez-la pour la laisser refroidir et apportez-la chez votre revendeur. N'essayez en aucun cas de réparer la machine vous-même.

AUTRES SITUATIONS ANORMALES:

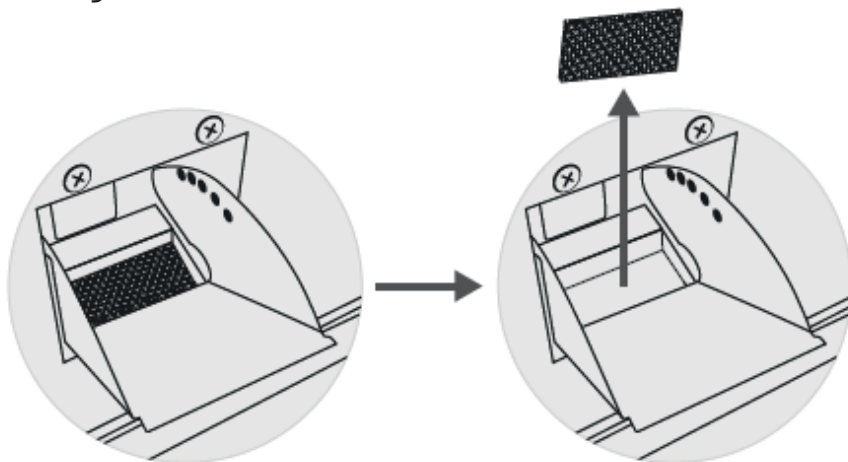
- Erro** Lorsque ce message clignote, la machine a trop chauffé ou le capteur thermique s'est coupé;
- noH+** Clignote lorsque la machine n'arrive pas à chauffer;
- noFL** Clignote pour indiquer que le réservoir est vide ou la pompe n'a plus de liquide. La vitesse du ventilateur se réduit au minimum et la pompe s'arrête.

MAINTENANCE

- Avant toute intervention, débranchez la machine et laissez la refroidir.
- La maintenance doit être effectuée par un technicien.
- Le liquide ne doit jamais être sale. Nettoyez ou remplacez régulièrement le bouchon du réservoir. Remplacez l'ensemble directement sur le réservoir et fermez le couvercle de la machine immé-

diatement après le remplissage.

- Après une utilisation prolongée, l'éponge à l'intérieur a pu accumuler des résidus d'huile. Nettoyez-la régulièrement ou remplacez-la par une neuve.
- Vérifiez régulièrement les connexions entre le conduit d'huile, la pompe et la résistance pour voir s'il y a des fuites d'huile. Si c'est le cas, resserrez toutes les connexions avec des outils appropriés.
- La plaque du circuit imprimé ne doit pas être souillée par l'huile. Si cela se produit, démontez doucement le PCB et brossez-le des deux côtés avec de l'alcool dilué. Laissez-le sécher à l'air et remettez-le en place. Vérifiez que tous les fils sont bien connectés.
- Nettoyez le couvercle en métal avec un chiffon sec.



NOTE IMPORTANTE

Avant d'éteindre la machine, arrêtez toute émission de brouillard et attendez 30 secondes que la procédure de nettoyage soit terminée. Ensuite seulement éteignez l'appareil. Cela évite aussi que du liquide reste dans le tuyau et commence à générer de la fumée lorsque vous allumez la machine la prochaine fois.

APPENDIX A: TELECOMMANDE FILAIRE

La machine est conçue pour fonctionner avec une télécommande filaire. Voir ci-dessous son fonctionnement:

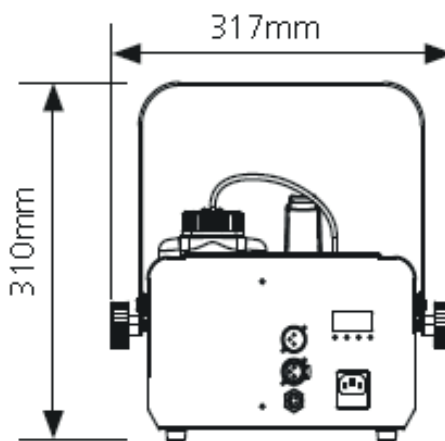
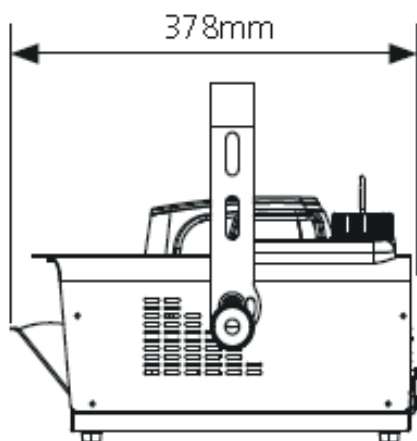
1. Branchez la télécommande filaire fermement sur la fiche (Figure 1-K) au dos du FAZE700. Le voyant rouge sur la télécommande s'allume;
 2. L'afficheur à LED de la FAZE700 indique P.xxx, la génération de fumée commandée par l'afficheur s'arrête et est maintenant contrôlée par la télécommande; f
 3. Lorsque la FAZE700 a atteint sa température de fonctionnement, le voyant vert sur la télécommande s'allume. Vous pouvez régler le volume de brouillard avec le bouton rotatif.
 4. Tournez vers la droite pour augmenter le volume de brouillard ou vers la gauche pour le réduire. En position tout à gauche, le brouillard s'arrête. L'afficheur indique cLn_ et commence l'auto-nettoyage..
- P. 0 signifie que le nettoyage est terminé.

- A: Jack 6.35
- B: Bouton rotatif
- C: LED verte
- D: LED rouge



CARACTERISTIQUES TECHNIQUES

Alimentation.....	220-240V~50/60Hz
Consommation.....	720W
Fusible.....	T5A/250V
Corps de chauffe.....	700W
Temps de chauffe.....	90 sec.
Consommation de liquide.....	10ml/mn. à pleine puissance
Volume de brouillard.....	255m ³
Réservoir.....	2l
Dimensions.....	378 x 317 x 310mm
Poids.....	6kg



NOTE IMPORTANTE : Les produits électriques ne doivent pas être mis au rebut avec les ordures ménagères. Veuillez les faire recycler là où il existe des centres pour cela. Consultez les autorités locales ou votre revendeur sur la façon de les recycler

BEDIENUNGSANLEITUNG

Vor Inbetriebnahme sorgfältig die Anleitung durchlesen



ZEICHENERKLÄRUNG



Der Blitz im Dreieck weist auf Gesundheitsrisiken hin (z.B. Stromschlag)



Das Ausrufezeichen im Dreieck weist auf besondere Gefahren im Umgang oder Betrieb des Geräts hin.



Schutzklasse I: Nur an eine geerdete Netzsteckdose mit Schutzkontakt anschließen



Das Gerät entspricht der CE Norm



Nur für Innengebrauch



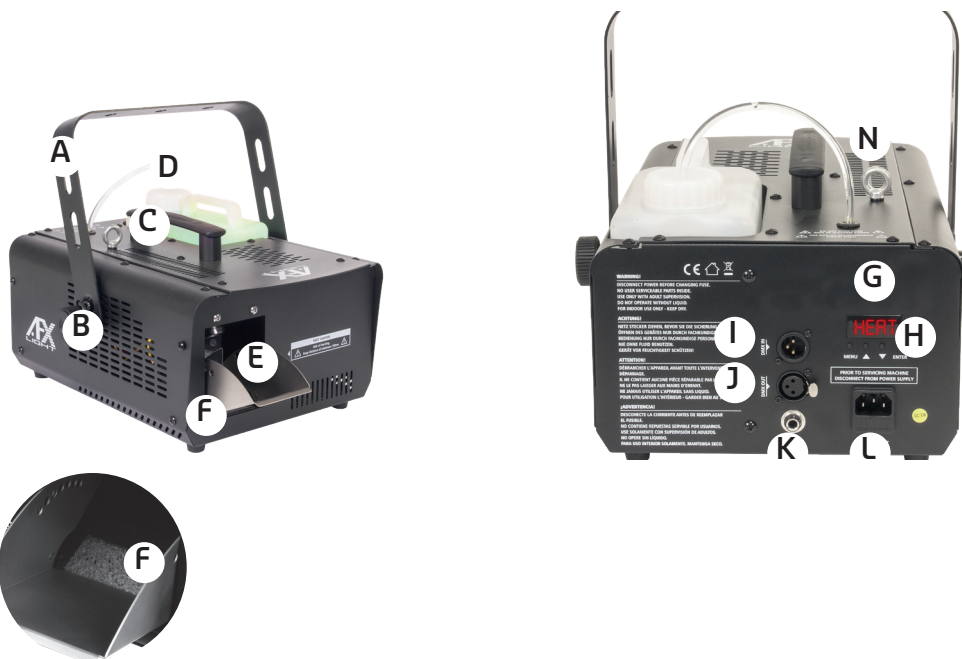
Mindestabstand zwischen dem Gerät und anderen Gegenständen

SICHERHEITSHINWEISE

- Vielen Dank, dass Sie sich für unsere DJ DMX FAZE MACHINE entschieden haben! Bitte lesen Sie die Anleitung vor dem Betrieb sorgfältig durch und befolgen Sie die Anweisungen.
- Wie alle elektronischen Produkte muss FAZE700 unter Berücksichtigung der Sicherheitsvorkehrungen verwendet werden.
- Füllen Sie vor dem Einstecken genügend Nebelflüssigkeit ein und leeren Sie den Flüssigkeitstank, wenn Sie ihn nicht benutzen oder bewegen.
- Verwenden Sie für Ihr Gerät nur eine geeignete, geerdete Steckdose. Die entsprechende Stromversorgung finden Sie auf Ihrem Produktspezifikationsetikett.
- Dieses Gerät muss geerdet werden.
- Trennen Sie das Gerät vom Stromnetz, wenn Sie es nicht benutzen, den Flüssigkeitstank füllen oder eine Sicherung austauschen.
- Gerät trocken halten. Wenn Feuchtigkeit oder Flüssigkeiten in das Gehäuse gelangen, trennen Sie sofort die Stromversorgung. Wenden Sie sich an einen Servicetechniker.
- Das Gerät nur auf eine ebene Fläche stellen. Nicht neigen.
- Entfernen Sie vor dem Bewegen des Geräts immer Nebelflüssigkeit und schliessen Sie den Tankdeckel gut, um ein Verschütten zu vermeiden.
- Wenden Sie sich zur Wartung an Ihren Fachhändler oder qualifizierten Techniker. Das Gerät enthält keine vom Benutzer auswechselbaren Teile
- Niemals das Gehäuse öffnen und Veränderungen am Gerät vornehmen!
- Faze Maschine ist für Erwachsene und darf nicht in die Hände von Kindern gelangen.
- Lassen Sie das Gerät niemals unbeaufsichtigt.
- Die Düse der Faze-Maschine wird während des Gebrauchs über 200 Grad (Celsius) heiß. Nicht anfassen! Halten Sie einen Sicherheitsabstand von mehr als 100 cm ein.
- Richten Sie die Düse niemals direkt auf Personen.
- Halten Sie das Gehäuse während des Betriebs geschlossen. Stellen Sie die Maschine an einen gut belüfteten Ort.
- Führen Sie keine Gegenstände in Lüftungsschlitze ein. Lassen Sie um die Maschine herum mindestens 100 cm Platz für eine ordnungsgemäße Belüftung.
- Halten Sie die Maschine von Flammen und brennbaren Gegenständen fern.
- Richten Sie die Düse niemals auf offene Flammen oder Funken.

- Verwenden Sie nur hochwertige Faze-Flüssigkeit auf Wasserbasis.
- Niemals brennbare Substanzen in den Tank geben.
- Die Maschine muss vor dem Reinigen, Warten oder Lagern abkühlen.
- Verwenden Sie besser unsere hochwertige Nebelflüssigkeit auf Wasserbasis. Eine zufällige Verwendung mit anderen Nebelflüssigkeiten kann den Schlauch verstopfen oder sogar Innenteile beschädigen.
- Lassen Sie ausreichend Flüssigkeit im Tank. Wenn das Gerät ohne ausreichende Flüssigkeit betrieben wird, verlangsamt die Pumpe die Leistung.
- Wenn das Gerät Betriebsstörungen aufweist, stoppen Sie es sofort, entleeren Sie die Flüssigkeit und bringen Sie das Gerät vorzugsweise in der Originalverpackung zur Wartung zu Ihrem Fachhändler. Tank vollständig leeren, bevor Sie das Gerät bewegen oder versenden.
- Trinken Sie niemals Nebelflüssigkeit. Bei Verschlucken sofort einen Arzt rufen. Wenn Flüssigkeit Augen oder Haut berührt, spülen Sie die Haut gründlich mit Wasser aus.
- Entfernen Sie niemals Warn- oder Hinweisschilder vom Gerät.

ABB 1: DJ DMX FAZER FUNKTIONEN



- | | | |
|--------------------------------|--------------------------------|--------------------------------|
| A. Tragebügel | B. Feststellschraube | C. Handgriff |
| D. Tank | E. Nebelaustritt | F. Schwamm |
| G. LED Display | H. 4 Funktionstasten | I. DMX Eingang über 3-pol. XLR |
| J. DMX Ausgang über 3-pol. XLR | K. Anschluss der Fernbedienung | N. Sicherheitsöse |
| L. Netzstromeingang | M. Fuss | |

BESCHREIBUNG

- Das Aufheizen dauert nur sehr kurze Zeit, etwa 75 Sekunden, kürzer als bei herkömmlichen Fazern.
- Die Nebelleistung ist stabil und regelmäßig, über einen Lüfter mit einer einstellbaren Geschwindigkeit von 5-100%. Je nach Luftstrom ist der Nebel von minimal bis 100% einstellbar. Geeignet für alle Arten von Räumlichkeiten.
- Einstellung der Lüftergeschwindigkeit von 5-100%. Leiser Lüfter, der den Dunst diskret verteilt. Bei 100% Geschwindigkeit ist der Dunst fein und regelmäßig und breitet sich schnell im Raum aus.
- Das Gerät kann mit einem zusätzlichen Controller in 1 oder 2 DMX-Kanälen betrieben werden.
- Integrierte Betriebssteuerung, Timer, manuelle Steuerung und Dauerbetrieb
- Einstellbares Dunstvolumen

- Beschleunigte Flüssigkeitszufuhr: Im manuellen Modus kann die Flüssigkeitszufuhr beschleunigt werden
- Sehr robust, es kann sehr lange arbeiten.
- Selbstreinigungsfunktion: Die Maschine stoppt nach 30 Sekunden und entfernt automatisch Flüssigkeitsreste in den Leitungen.
- Klares LCD-Display und intelligente Software.

VORBEREITUNG

Öffnen Sie den Versandkarton und nehmen Sie das Gerät vorsichtig heraus.

Entfernen Sie alles Verpackungsmaterial vom Fazer, insbesondere um die Düse.

Stellen Sie die Faze-Maschine auf eine trockene, flache Oberfläche.

Stecken Sie das Zuführrohr mit Filter tief in den vollen Flüssigkeitstank (Abbildung 1-D). Verwenden Sie auf jeden Fall eine Flüssigkeit auf Wasserbasis von guter Qualität.

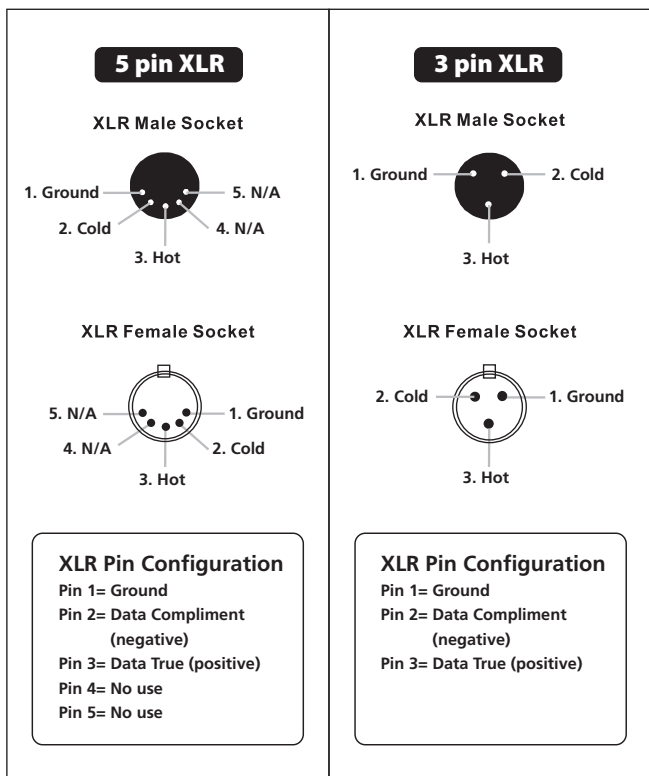
Stecken Sie das Netzkabel der Faze-Maschine in die entsprechende Steckdose. Warten Sie ca. 75 Sekunden, bis sich das Hezelement erwärmt hat.

Verwenden Sie das LCD-Display zur Bedienung oder schließen Sie den DMX-Controller zur Einstellung an oder schliessen Sie die Fernbedienung an die Buchse (Abbildung 1-K) auf der Rückseite des Geräts an.

Einzelheiten zur Bedienung finden Sie in Ihrem Handbuch (Anhang A).

DMX PIN-BELEGUNG

Das Gerät verfügt über einen 3- oder 5-poligen XLR-Anschluss für die DMX-Verbindung. Das folgende Diagramm zeigt Informationen zur Pinbelegung.



FUNKTIONEN DER TASTEN



MENÜ: Funktionswahltaaste: Ändern Sie den numerischen Wert mit den Tasten UP und DOWN.

A.xxx: Einstellung der DMX-Adresse. Adresswertbereich: Adresse = 001 ~ 512. Halten Sie "UP" oder "Down" Taste 1,5 Sekunden lang gedrückt, um den Wert kontinuierlich und schnell zu ändern. Drücken Sie gleichzeitig UP / DOWN, um den Wert auf 1 zurückzusetzen.

P.xxx: Volumeneinstellung vom zeitbegrenzten Fogging und kontinuierlichem Fogging (Nebel Volume = 5 ~ 100%).

F.xxx: Einstellen der Lüftergeschwindigkeit für zeitbegrenztes Fogging und kontinuierlichem Fogging (Lüfter = 5 ~ 100%).

t.off/t. ein: Timer EIN / AUS einstellen, mit den Tasten UP und DOWN umschalten

d.xxx: Einstellen der Dauer des zeitbegrenzten Foggings (Dauer = 3 ~ 250 s). **i.xxx:** Einstellintervall für das zeitbegrenzte Fogging (Intervall = 5 ~ 250 s).

UP: Taste zum Erhöhen des Zahlenwerts

DOWN: Taste zum Verringern des Zahlenwerts

ENTER: Startknopf des Foggings, loslassen, um zu stoppen.

Hinweis:

- Selbstreinigungsfunktion: Das Gerät funktioniert nach einer Verzögerung von 30 Sekunden nicht mehr. Reinigen Sie den Schlauch automatisch von der Restflüssigkeit.
- Eingestellte Werte werden automatisch gespeichert.

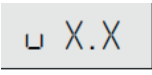
Wichtige Hinweise:

Um die Wahrscheinlichkeit zu verringern, dass die Düse feucht wird, misst die Software den Luftwert und den Nebelwert und nimmt die richtige Einstellung vor. Im Display-Steuermodus (Timing-Fogging, kontinuierliches Fogging) oder DMX-Steuermodus: Wenn der Nebelwert auf 100% eingestellt ist, passt die Software den Luftwert (auch wenn er auf 5% eingestellt ist) automatisch auf 30% an. Wenn der Luftwert auf 5% eingestellt ist, reduziert die Software den Nebelwert automatisch auf 50%. Dies verhindert, dass der Nebelabzug durch zu geringen Luftzug, aber zu viel Nebel feucht wird. * Nebelwert = Puffvolumen, Luftwert = Lüfter

BETRIEB

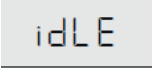
- Netzkabel in eine geeignete Netzsteckdose stecken.

•  Gerät einschalten

•  1 Sekunde später wird die Software Version angezeigt

•  2 Sekunden später schaltet das Gerät in Bereitschaftsbetrieb und heizt auf.

• Das Heizelement braucht ca. 75 Sekunden zum Aufheizen.

•  Wenn das Gerät aufgeheizt ist, wählen Sie eine der folgenden Betriebsarten.

MANUELLER BETRIEB

- **idLE** Wenn das Gerät aufgeheizt ist, erscheint folgende Nachricht. Sie bedeutet, dass das Gerät betriebsbereit ist.
- ENTER drücken, um mit dem Foggen zu beginnen.
- Während des Foggens das Nebelvolumen und den Lüfter einstellen.
- **P.xxx** Mit den UP / DOWN Tasten das Nebelvolumen einstellen (5-100%)
- MENU drücken, um den Ventilator einzustellen.
- **F.xxx** Mit den UP / DOWN Tasten den Ventilator einstellen (5-100%)
- Während des Foggens ENTER drücken, um das Foggen zu stoppen.
- **cLn_.** Bitte beachten Sie, dass das Gerät automatisch nach 30 Sekunden stoppt, um die Schläuche von Restflüssigkeit zu reinigen.
- **idLE** Nach dem Reinigungsvorgang schaltet das Gerät erneut in Betriebsbereitschaft.

INTERVALLSCHALTUNG

- MENU drücken, um den eingebauten Timer ein- bzw. auszuschalten.
- **t.oFF** oder **t.on** Mit den UP / DOWN Tasten den Timer ein- bzw. ausschalten
- Wenn der eingebaute Timer auf ON eingestellt ist, die MENU Taste drücken, um die Dauer und das Intervall einzustellen.
- **d.xxx** Mit den UP / DOWN Tasten den Zeitwert der Dauer (3s - 250s) einstellen
- **i.xxx** Mit den UP / DOWN Tasten den Zeitwert des Intervalls (5s - 250s) einstellen
- ENTER drücken, um das zeitbegrenzte Foggen zu starten.
- Erneut ENTER drücken, um das zeitbegrenzte Foggen zu stoppen.
- **cLn_.** Bitte beachten Sie, dass das Gerät automatisch nach 30 Sekunden stoppt, um die Schläuche von Restflüssigkeit zu reinigen.
- **idLE** Nach dem Reinigungsvorgang schaltet das Gerät erneut in Betriebsbereitschaft.

WEITERE BETRIEBSHINWEISE

- Unter **idLE** oder **cLn_.** MENU drücken, um die Werte zu prüfen und einzustellen:
- **t.oFF** oder **t.on**: eingebauter Timer ist an oder aus
- **d.xxx** Eingebauter Timer, Dauer eines Nebelausstosses 3s-250s
- **i.xxx** Eingebauter Timer, Pausen zwischen zwei nebelausstößen 5s-250s
- **A.xxx** DMX Adresseinstellung 1-512 (mit UP / DOWN einstellen)

KABELFERNBEDIENUNG

Für beste Ergebnisse benutzen Sie den VT-1 Puff Volume Adjustable Controller.

1. Das Kabel der Fernbedienung fest in die Buchse (Abb. 1-K) auf der Rückseite des Geräts stecken
 2. P.xxx: Wenn dies angezeigt wird, wird die Nebelemission von der Fernbedienung und nicht mehr vom Display gesteuert.
 3. Weitere Informationen finden Sie im Kapitel der Fernbedienung (Anhang A).
- Die Kabelfernbedienung regelt nur die Nebelstärke. Der Lüfter wird immer vom Display gesteuert. Drücken Sie die Tasten ▲ und ▼, um den Lüfter einzustellen. F.xxx wird angezeigt. Das Gerät stoppt für 2 Sekunden und kehrt zum Bildschirm P.xxx zurück.

Drücken Sie MENU, um den aktuellen Lüfterwert zu überprüfen. F.xxx wird angezeigt. Das Gerät stoppt für 2 Sekunden und kehrt zum Bildschirm P.xxx zurück.

DMX GESTEUERTER BETRIEB

- Schließen Sie das DMX 512-Controller-Kabel an den Eingangsstecker (Abbildung 1-I) der Nebelmaschine an. Stellen Sie sicher, dass die Polarität korrekt ist. Wenn der DMX-Stecker DMX-Signale empfängt, wechselt das Gerät automatisch in den DMX-Modus.
- Das Gerät verfügt über 2 DMX-Kanäle. Beziehen Sie sich auf die Kanaltabelle, um die Einstellungen vorzunehmen.
- Alle 3 Sekunden zwischen Nebelvolumen P.xxx / Lüfter F.xxx umschalten
- A.xxx: Drücken Sie MENU, um die aktuelle DMX-Adresse zu überprüfen. Drücken Sie die Tasten ▲ und ▼, um den Wert anzupassen.
- Kehren Sie nach 3 Sekunden Inaktivität zum Wechsel des Nebelvolumens P.xxx / Lüfter F.xxx zurück
- P.xxx zeigt das aktuelle Nebelvolumen an, das über DMX gesteuert wird
- F.xxx zeigt den aktuellen Luftstrom an, der von DMX gesteuert wird
- Sie können eine andere Nebelmaschine anschließen: Schließen Sie ein Ende eines anderen Signalkabels an den Ausgangsstecker (Abbildung 1-J) auf der Rückseite des ersten FAZE700 an. Schließen Sie das andere Ende des Signalkabels an den Eingangsstecker (Abbildung 1-I) auf der Rückseite des zweiten FAZE700 an. Gehen Sie genauso vor, um weitere Geräte zu verbinden.
- ▼. Informationen zu den Einstellungen finden Sie in der DMX-Kanaltabelle. Sie können jetzt bestellen, dass der FAZE700 mit Ihrem DMX-Controller betrieben werden soll.

HINWEISE

Um zu vermeiden, dass der Nebelauslass nass wird, erkennt die Software den Luftstromwert und den Nebelwert und nimmt die erforderlichen Anpassungen vor. Im Steuermodus über Display (programmierter, kontinuierlicher und manueller Betrieb) oder im DMX-Modus:

Wenn der Nebelwert auf 100% eingestellt ist, setzt die Software den Luftstromwert automatisch auf 30%, selbst wenn er auf 5% eingestellt wurde. Wenn der Luftstrom auf 5% eingestellt ist, reduziert die Software den Volumenwert auf 50%. Dies verhindert, dass der Auslass nass wird, da im Vergleich zur gewünschten Nebelmenge nicht genügend Luft vorhanden ist.

* Nebelwert = Volumen, Luftstromwert = Lüfter

ABB. 2 DMX TABELLE

CH1	CH2
Nebelvolumen (P.xxx)	Lüfter (F.xxx)
5-255 5% - 100%	16-255 6% - 100%
0-4 off	0-15 5%

FEHLERDIAGNOSE

Diese Anleitung zur Fehlerbehebung soll Ihnen bei der Lösung einfacher Probleme helfen.

Wenn ein Problem auftritt, führen Sie die folgenden Schritte nacheinander aus, bis eine Lösung gefunden ist. Führen Sie die folgenden Schritte nicht aus, sobald das Gerät ordnungsgemäß funktioniert. Wenn das Problem weiterhin besteht, wenden Sie sich an einen qualifizierten Techniker.

Gerät ist eingeschaltet, aber kein Nebelausstoß:

1. Überprüfen Sie die Stromversorgung. Stecken Sie das Gerät in die geerdete Steckdose mit der richtigen Spannung.
2. Trennen Sie das Gerät von der Stromversorgung. Ersetzen Sie die Sicherung durch eine Sicherung des gleichen Typs.
3. Halten Sie ausreichend Flüssigkeit im Tank.
4. Überprüfen Sie, ob die Pumpe funktioniert (mit Flüssigkeitsstrom oder nicht).

5. Überprüfen Sie, ob die Heizung funktioniert (berühren Sie das Bedienfeld, um festzustellen, ob es sich erwärmt).
6. Überprüfen Sie Ihren Controller auf korrekte Verbindung.
7. Überprüfen Sie Ihre DMX-Adresseinstellung.

Gerät eingeschaltet, aber der Nebel wird nicht gleichmässig ausgestossen:

Wenn nur wenig Nebel produziert wird, das Gerät laut läuft oder der Nebelausstoss behindert wird, ziehen Sie sofort den Stecker heraus. Überprüfen Sie, ob noch genügend Flüssigkeit vorhanden ist, ob der an den Tank angeschlossene Schlauch sauber ist, ob sich Luft im Schlauch befindet und ob die Flüssigkeit fließt. Wenn alles in Ordnung zu sein scheint, schließen Sie das Gerät wieder an. Wenn das Problem weiterhin besteht und die Ursache unklar ist, stellen Sie den Betrieb ein, um Schäden zu vermeiden. Schalten Sie das Gerät aus, um es abzukühlen, und bringen Sie das Gerät zur Inspektion zu Ihrem Fachhändler oder einer Reparaturwerkstatt. Nicht das Gerät selbst auseinanderbauen.

ANDERE ANORMALE SITUATIONEN

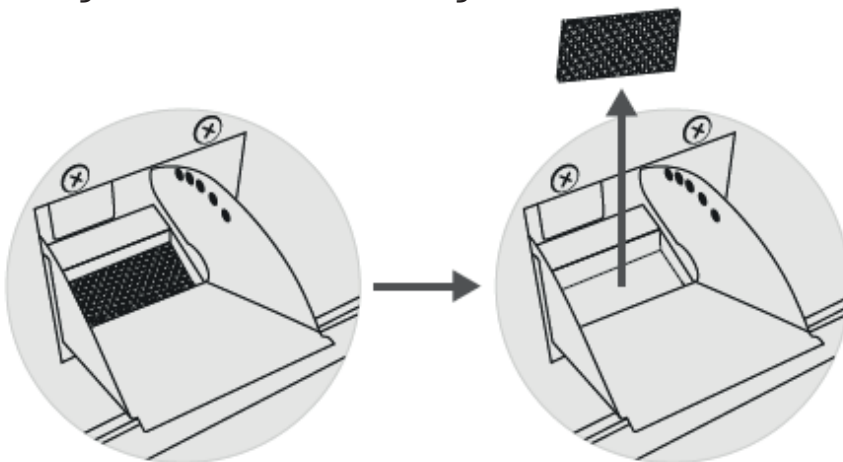
Erro Wenn diese Meldung auf dem Display blinkt, ist das Heizelement zu heiss oder der Thermo-sensor ist ausser Betrieb;

noH+ Wenn diese Meldung auf dem Display blinkt, kann das Gerät nicht aufheizen;

noFL Wenn diese Meldung auf dem Display blinkt, ist nicht mehr genügend Flüssigkeit im Tank oder die Pumpe pumpt keine Flüssigkeit. In diesem Fall reduziert sich die Geschwindigkeit des Lüf- ters auf ein Minimum und die Pumpe setzt aus.

INSTANDHALTUNG

- Vergewissern Sie sich vor der Wartung, dass die Stromversorgung unterbrochen, das Netzkabel abgezogen und die Maschine selbst abgekühlt ist.
- Die Wartung muss von einer qualifizierten Person durchgeführt werden.
- Die Flüssigkeit darf nicht verschmutzt sein. Reinigen oder ersetzen Sie die Kappen am Tank.
- Bei längerem Gebrauch kann sich im Schwamm Öl ansammeln. Reinigen Sie den Schwamm re- gelmäßig oder ersetzen Sie ihn durch einen neuen Schwamm.
- Überprüfen Sie regelmäßig die Verbindungen zwischen dem Ölschlauch, der Pumpe und der Hei- zung, um festzustellen, ob Öl austritt. Wenn dies der Fall ist, ziehen Sie die Verbindungsstellen vorsichtig mit einem geeigneten Werkzeug fest.
- Die Leiterplatte sollte nicht mit Öl verschmutzt werden. In diesem Fall die Leiterplatte vorsichtig herausnehmen und von beiden Seiten mit verdünntem Alkohol abbürsten. Trocknen lassen und wieder einbauen. Stellen Sie sicher, dass alle Kabel gut angeschlossen sind.
- Reinigen Sie die Metallabdeckung mit einem trockenen Tuch.



WICHTIGER HINWEIS

Bevor Sie das Gerät ausschalten, stoppen Sie den Betrieb und warten Sie 30 Sekunden, bis der Reinigungsvorgang abgeschlossen ist. Erst dann das Gerät ausschalten. Vermeiden Sie auch, dass

Flüssigkeit im Schlauch verbleibt und beim nächsten Einschalten das Gerät sofort Nebel ausstößt.

ANHANG A: KABELFERNBEDIENUNG

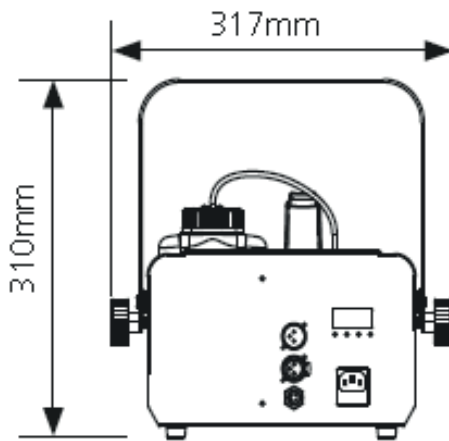
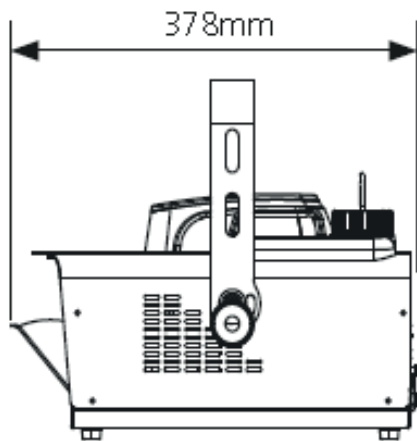
Die Maschine ist für die Verwendung mit einer Kabelfernbedienung ausgelegt. Sehen Sie unten, wie es funktioniert:

1. Schließen Sie die Kabelfernbedienung fest an den Stecker (Abbildung 1-K) auf der Rückseite des FAZE700 an. Das rote Licht auf der Fernbedienung leuchtet auf.
2. Die LED-Anzeige FAZE700 zeigt P.xxx an. Die vom Display gesteuerte Nebelproduktion stoppt und wird jetzt von der Fernbedienung gesteuert.
3. Wenn der FAZE700 die Betriebstemperatur erreicht hat, leuchtet das grüne Licht auf der Fernbedienung auf. Sie können die Nebelstärke mit dem Drehknopf einstellen.
4. Drehen Sie ihn nach rechts, um das Nebelvolumen zu erhöhen, oder nach links, um es zu verringern. Ganz links stoppt der Nebel. Das Display zeigt cLn_ und die Selbstreinigung beginnt.
5. 0 bedeutet, dass die Reinigung beendet ist.



TECHNISCHE DATEN

Versorgung.....	220-240V~50/60Hz
Verbrauch.....	720W
Sicherung	T5A/250V
Heizelement.....	700W
Aufheizzeit.....	90 Sek.
Fluid Verbrauch	10ml/min. bei max. Produktion
Nebelvolumen.....	255m ³
Tank.....	2l
Abmessungen.....	378 x 317 x 310mm
Gewicht.....	6kg



WICHTIGER HINWEIS: Elektrogeräte gehören nicht in den Hausmüll. Sie müssen in speziellen Betrieben recycelt werden. Bringen Sie sie zu einer speziellen Entsorgungsstelle für Elektrokleingeräte (Wertstoffhof)!



Free Manuals Download Website

<http://myh66.com>

<http://usermanuals.us>

<http://www.somanuals.com>

<http://www.4manuals.cc>

<http://www.manual-lib.com>

<http://www.404manual.com>

<http://www.luxmanual.com>

<http://aubethermostatmanual.com>

Golf course search by state

<http://golfingnear.com>

Email search by domain

<http://emailbydomain.com>

Auto manuals search

<http://auto.somanuals.com>

TV manuals search

<http://tv.somanuals.com>